



Speed Scrub[®] 2401/2601

Automatic Scrubber
Fregadora Automática
Balayeuse Automatique

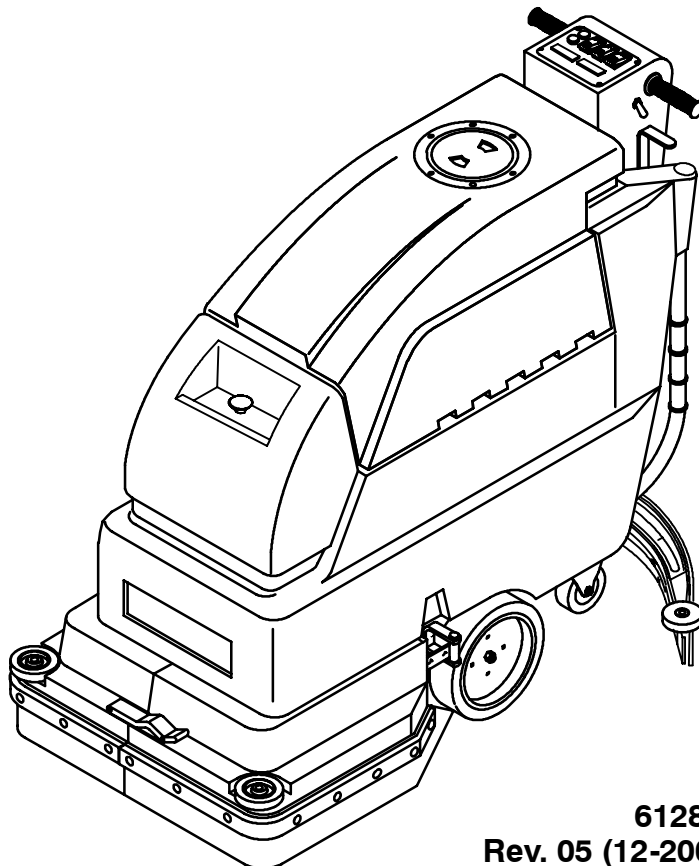


The Safe Scrubbing Alternative[®]

Model No.:

- 613037 - 2401
- 612216 - 2401 Complete
- 613038 - 2601
- 612219 - 2601 Complete
- 613386 - 2401 FaST Complete
- 613385 - 2601 FaST Complete

**Operator and Parts Manual
Manual del Operador y Piezas
Opérateur Manuel et Liste Des Pièces**



612815
Rev. 05 (12-2006)



OPERATION


This manual is furnished with each new model. It provides necessary operation and maintenance instructions and an illustrated parts list.

Read this manual completely and understand the machine before operating or servicing it.

When ordering replacement parts, use the illustrated parts lists section in this manual. Before ordering parts or supplies, be sure to have your machine model number and serial number available. Parts and supplies may be ordered by phone or mail from any authorized parts and service center, distributor or from any of the manufacturer's subsidiaries.


This machine will provide excellent service. However, the best results will be obtained at minimum costs if:

- The machine is operated with reasonable care.
- The machine is maintained regularly - per the machine maintenance instructions provided.
- The machine is maintained with manufacturer supplied or equivalent parts.



PROTECT THE ENVIRONMENT

Please dispose of packaging materials, old machine components such as batteries, hazardous fluids such as antifreeze and oil, in a safe environmentally way according to your local waste disposal regulations.



Always remember to recycle.

MACHINE DATA

Please fill out at time of installation for future reference.

Model No.- _____

Install. Date - _____

Serial No.- _____

Tennant Company

PO Box 1452

Minneapolis, MN 55440

Phone: (800) 553-8033 or (763) 513-2850

www.nobles.com

Specifications and parts are subject to change without notice.

FaST-Pak and ES logo are registered United States trademarks of Tennant Company.

©2001, 2002, 2005, 2006 Tennant Company. All rights reserved.

Printed in U.S.A.

TABLE OF CONTENTS	(ESPAÑOL....25)	(FRANÇAIS....50)	
SAFETY PRECAUTIONS	4	TRANSPORTING MACHINE	20
SAFETY LABELS	5	STORING MACHINE	20
MACHINE COMPONENTS	6	RECOMMENDED STOCK ITEMS	21
CONTROL PANEL SYMBOLS	7	TROUBLE SHOOTING	22
MACHINE INSTALLATION	8	SPECIFICATIONS	24
UNCRATING MACHINE	8	ELECTRICAL DIAGRAMS	74
INSTALLING BATTERIES	8	PARTS LIST	76
MACHINE SETUP	8	REPLACEMENT BRUSHES AND	
ATTACHING SQUEEGEE ASSEMBLY	8	PAD DRIVER GROUP	76
INSTALLING BRUSH OR PAD DRIVERS ...	9	SOLUTION TANK GROUP	78
INSTALLING FaST-PAK AGENT (OPTION)	10	RECOVERY TANK GROUP	80
FILLING SOLUTION TANK	11	CONTROL CONSOLE GROUP	82
MACHINE OPERATION	11	COMPONENT PANEL GROUP	84
PRE-OPERATION CHECKS	11	DRIVE GROUP	86
OPERATING MACHINE	11	BRUSH DRIVE GROUP	88
OPERATING FaST SCRUB		BRUSH DRIVE GROUP	89
SYSTEM (OPTION)	13	SKIRT GROUP	90
WHILE OPERATING MACHINE	13	SOLUTION GROUP, STANDARD MODEL ..	92
STOPPING MACHINE	14	SOLUTION GROUP, FaST MODEL	94
EMERGENCY STOPPING (OPTION)	14	SQUEEGEE CONTROL GROUP	96
CIRCUIT BREAKERS	14	SQUEEGEE ASSEMBLY GROUP -	
DRAINING TANKS	15	STD. WIDTH, 33 in / 838 mm	98
DRAINING RECOVERY TANK	15	BATTERY AND CHARGER GROUP	100
DRAINING SOLUTION TANK	15	FaST SOLUTION PUMP BREAKDOWN	101
CHARGING BATTERIES	15	FaST AIR PUMP BREAKDOWN	101
MACHINE MAINTENANCE	17	OPTIONS	102
DAILY MAINTENANCE	17	ES (EXTENDED SCRUB)	
MONTHLY MAINTENANCE	18	SOLUTION GROUP	102
QUARTERLY MAINTENANCE	18	SQUEEGEE WAND ASSEMBLY	104
SQUEEGEE BLADE REPLACEMENT	18	HOUR METER, EMERGENCY STOP,	
SQUEEGEE BLADE ADJUSTMENT	19	KEYSWITCH AND LOW VOLTAGE KITS ..	105
BATTERY MAINTENANCE	19	CONVERSION KIT	106


OPERATION

SAFETY PRECAUTIONS

This machine is intended for commercial use. It is designed exclusively to scrub hard floors in an indoor environment and is not constructed for any other use. Use only recommended pads, brushes and commercially approved floor cleaners intended for machine application.

All operators must read, understand and practice the following safety precautions.

The following warning alert symbol and the "FOR SAFETY" heading are used throughout this manual as indicated in their description:

 **WARNING:** To warn of hazards or unsafe practices which could result in severe personal injury or death.

FOR SAFETY: To identify actions which must be followed for safe operation of equipment.

Failure to follow these warnings may result in personal injury, electrical shock, fire or explosion.

 **WARNING:** Fire Or Explosion Hazard:

- **Never Use Flammable Liquids Or Operate Machine in Or Near Flammable Liquids, Vapors Or Combustible Dusts.**

This machine is not equipped with explosion proof motors. The electric motors will spark upon start up and during operation which could cause a flash fire or explosion if machine is used in an area where flammable vapors/liquids or combustible dusts are present.

- **Do Not Pick Up Flammable Materials Or Reactive Metals.**
- **Batteries Emit Hydrogen Gas. Keep Sparks And Open Flame Away. Keep Battery Compartment Open When Charging.**

 **WARNING:** Electrical Shock Hazard. Disconnect Battery Cables Before Servicing Machine.

The following information signals potentially dangerous conditions to the operator or equipment:

FOR SAFETY:

1. **Do not operate machine:**
 - With flammable liquids or near flammable vapors as an explosion or flash fire may occur.
 - Unless trained and authorized.
 - Unless operator manual is read and understood.
 - If not in proper operating condition.
2. **Before operating machine:**
 - Make sure all safety devices are in place and operate properly.
3. **When using machine:**
 - Go slow on inclines and slippery surfaces.
 - Wear non-slip shoes.
 - Use care when reversing machine.
 - Reduce speed when turning.
 - Report machine damage or faulty operation immediately.
 - Never allow children to play on or around.
 - Follow mixing and handling instructions on chemical containers.
4. **Before leaving or servicing machine:**
 - Stop on level surface.
 - Turn machine off.
5. **When servicing machine:**
 - Avoid moving parts. Do not wear loose jackets, shirts, or sleeves.
 - Disconnect battery connections before working on machine.
 - Wear protective gloves and eye protection when handling batteries or battery cables.
 - Avoid contact with battery acid.
 - Use hoist or jack that will support the weight of the machine.
 - Do not power spray or hose off machine. Electrical malfunction may occur.
 - Use manufacturer supplied or approved replacement parts.
 - All repairs must be performed by a qualified service person.
 - Do not modify the machine from its original design.

6. When transporting machine:

- Turn machine off.
- Use a recommended ramp when loading/unloading on/off truck or trailer.
- Use tie-down straps to secure machine to truck or trailer.
- Put scrub head in the lowered position.

SAFETY LABELS

The safety labels appear on the machine in the locations indicated. Replace labels if they are missing or become damaged or illegible.

WARNING LABEL - LOCATED ON THE RECOVERY TANK.

⚠ WARNING	⚠ AVERTISSEMENT	⚠ ADVERTENCIA
 <p>EXPLOSION, FIRE AND SHOCK HAZARD. AVOID INJURY.</p> <ul style="list-style-type: none"> • Do Not Use or Pick Up Flammable Materials. • Do Not Use Near Flammable Liquids, Vapors or Combustible Dusts. • Keep Sparks and Open Flame Away When Charging Batteries. Keep Battery Hood Open When Charging. • Disconnect Battery Cables and Charger Cord Before Servicing. 	<p>RISQUE D'EXPLOSION, D'INCENDIE ET DE DÉCHARGE. ÉVITEZ LES BLESSURES.</p> <ul style="list-style-type: none"> • N'utilisez Pas ou Ne Ramassez Pas de Matériaux Inflammables. • N'utilisez Pas Près de Liquides, Vapeurs ou Poussières Inflammables. • Éloignez les Sources d'Étincelles ou de Flamme Ouverte Lors du Chargement des Batteries. Laissez Ouvert le Capot du Compartiment des Batteries Lors de la Mise en Charge. • Débranchez les Câbles de Batterie et la Cordon du Chargeur Avant l'Entretien. 	<p>PELIGRO DE EXPLOSIÓN, FUEGO, DESCARGA EVITE LESIONES.</p> <ul style="list-style-type: none"> • No Use Ó Recoja Materiales Flamables. • No Use Cerca De Líquidos Flamables, Vapores Ó Materiales Combustibles. • Mantenga Chispas Y Fuego Alejados Mientras Carga Baterías. Mantenga Tapa De Batería Abierta Mientras Carga. • Desconecte Cable De Batería Y Cable Del Cargador Antes Del Mantenimiento.
1028386		



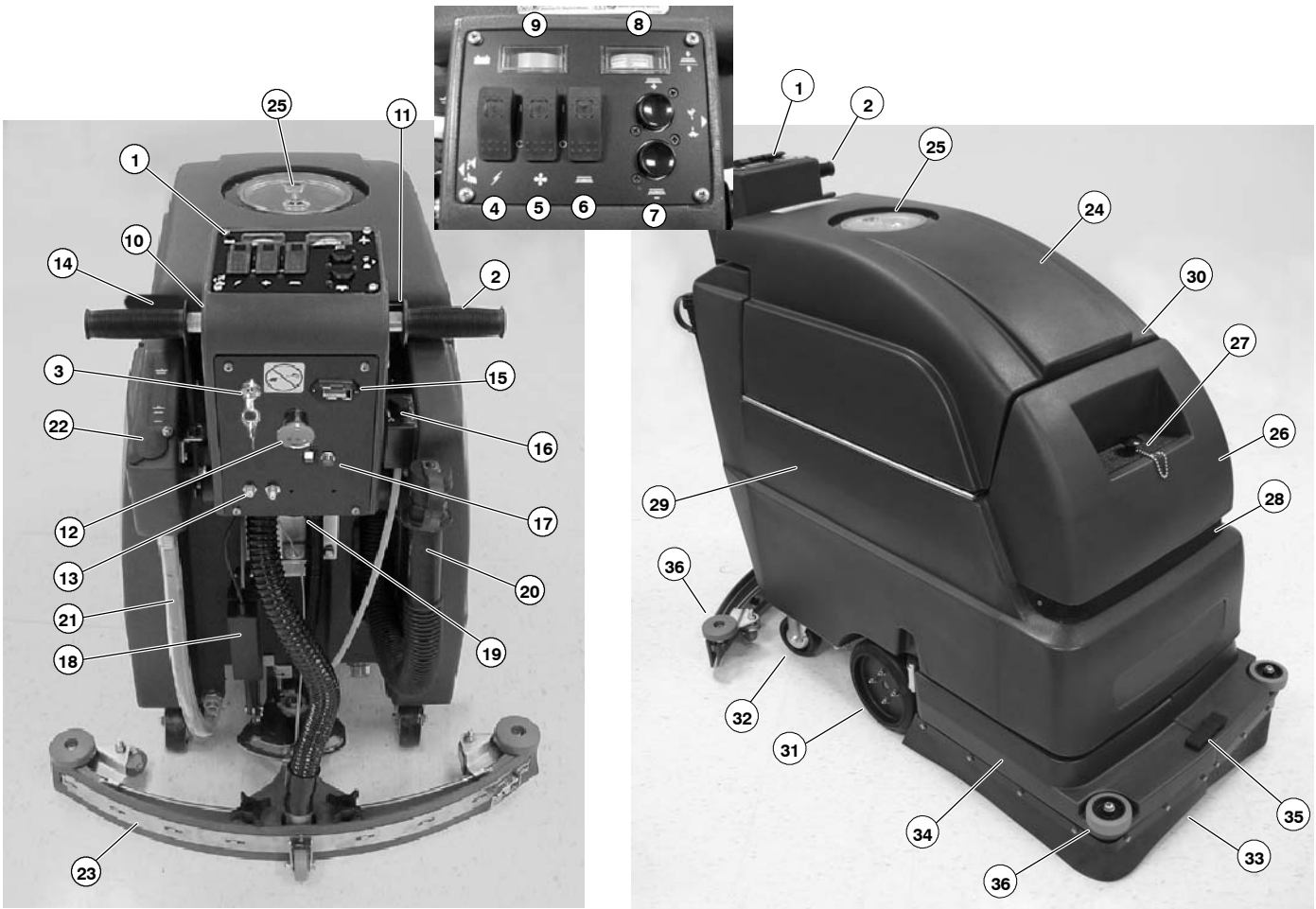
BATTERY CHARGE LABEL -
LOCATED IN BATTERY COMPARTMENT.

⚠ WARNING: Fire Or Explosion Hazard. Batteries Emit Hydrogen Gas. Keep Sparks And Open Flame Away. Keep Battery Compartment Open When Charging.

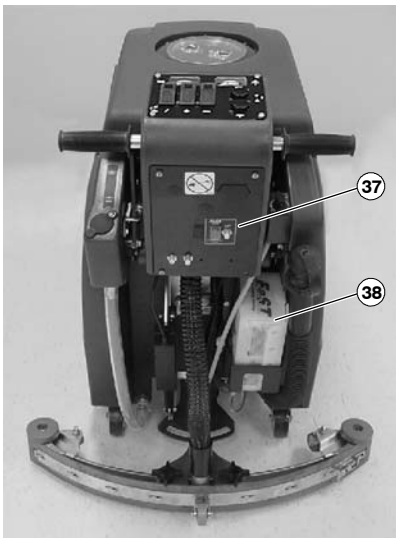


OPERATION

MACHINE COMPONENTS



FaST Model



- | | |
|--|---|
| <ol style="list-style-type: none"> 1. Control Console 2. Control Twist Grips 3. Key Switch (Optional) 4. Main ON/OFF Switch 5. Vacuum ON/OFF Switch 6. Brush/Solution ON/OFF Switch 7. Brush Pressure Switches 8. Brush Pressure Meter 9. Battery Meter 10. Reverse Switch 11. Speed Control Knob 12. Power Kill Button (Optional) 13. Main, Vac/Drive Circuit Breakers 14. Squeegee Lift Lever 15. Hour Meter (Optional) 16. Solution Flow Adjustment Knob 17. ES (Extended Scrub) Switch (Optional) 18. Scrub Head Actuator 19. Adjustable Control Console Levers 20. Recovery Tank Drain Hose | <ol style="list-style-type: none"> 21. Solution Tank Drain Hose 22. Rear Fill Port 23. Squeegee Assembly 24. Recovery Tank 25. Recovery Tank Lid 26. Solution Tank 27. Solution Fill Port 28. Safety Lights 29. Battery Compartment 30. Charger Plug 31. Drive Wheels 32. Rear Casters 33. Brush Skirt 34. Skirt Housing 35. Skirt Housing Latch 36. Wall Rollers 37. FaST Scrub/Conventional Scrub Switch (Option) 38. FaST-PAK Dispensing System (Option) |
|--|---|

CONTROL PANEL SYMBOLS



Main Power



Fast Speed



Right Hand
Brush Motor
Circuit Breaker



Read Manual
Before Operating



Vacuum



Slow Speed



Left Hand
Brush Motor
Circuit Breaker



Solution Flow



Brush



Reverse



Vacuum
Motor Circuit
Breaker



Battery Charge
Meter



Less Brush
Pressure



Squeegee Up



Main Power
Circuit Breaker



Brush Pressure
Meter



More Brush
Pressure



Squeegee Down



FaST FaST System
10A Circuit Breaker
(option)

OPERATION

MACHINE INSTALLATION

UNCRATING MACHINE

Carefully check carton for signs of damage. Report any damage at once to carrier. Check carton contents to ensure all accessories are included. Squeegee is packaged with machine. Batteries, battery charger and pad driver(s) are packaged separately.

ATTENTION: Battery installation must be accomplished after removing machine from shipping crate.

To uncrate your machine, remove shipping straps and carefully lift or make a ramp using crate boards to remove machine from pallet.

ATTENTION: Do not roll machine off pallet, damage may occur.

INSTALLING BATTERIES

⚠ WARNING: Fire Or Explosion Hazard. Batteries Emit Hydrogen Gas. Keep Sparks And Open Flame Away. Keep Battery Hood Open When Charging.

FOR SAFETY: When servicing machine, wear protective gloves and eye protection when handling batteries and battery cables. Avoid contact with battery acid.

Battery Specifications:

Two 12 volt, deep cycle, 215 A hour batteries. Consult with an Authorized Distributor for specific batteries. Maximum battery dimensions are 7 in / 178 mm W x 15 in / 381 mm L x 14 in / 356 mm H.

1. Turn all switches to the OFF position.
2. Carefully hinge open recovery tank to access battery compartment. Remove loose battery cables from compartment (Figure 1).

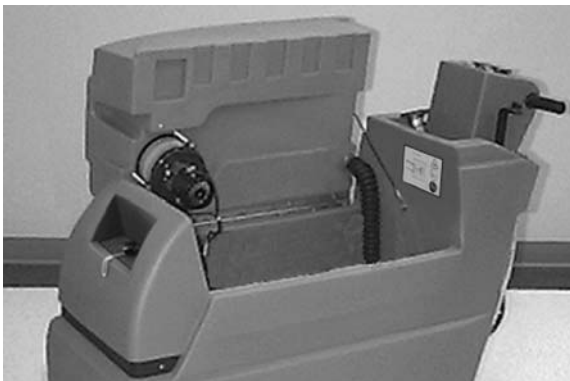


FIG. 1

3. Carefully install batteries into battery tray at bottom of compartment and arrange battery posts as shown (Figure 2).

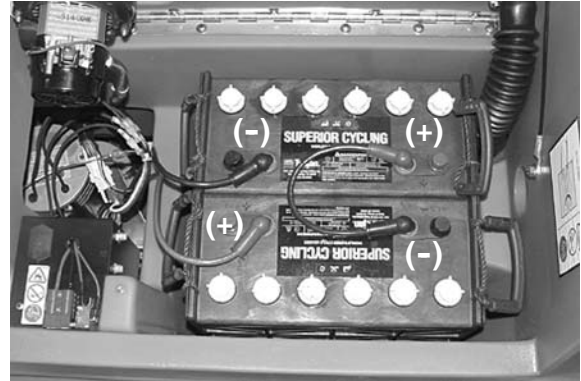


FIG. 2

ATTENTION: Do not drop batteries into compartment, battery and machine housing damage may result. This damage is not covered by warranty.

4. Connect battery cables to battery posts as shown (RED TO POSITIVE & BLACK TO NEGATIVE) (Figure 2).
5. Turn on the main switch and check battery meter charge level to ensure batteries are fully charged. Charge if necessary (See CHARGING BATTERIES).

MACHINE SETUP

ATTACHING SQUEEGEE ASSEMBLY

1. Turn main switch to the off position.

FOR SAFETY: Before leaving or servicing machine, stop on level surface and turn off machine.

2. Raise squeegee mount bracket. Pull back on squeegee lift lever to raise squeegee mount bracket (Figure 3).

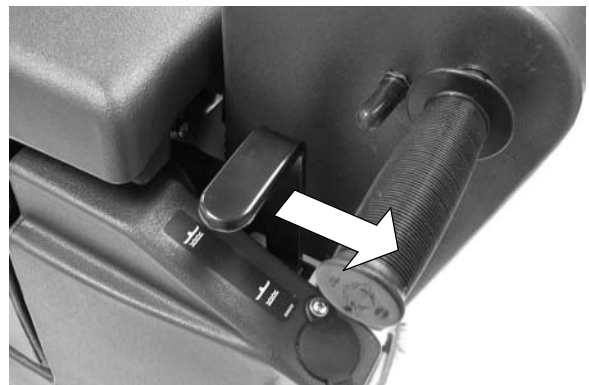


FIG. 3

- Loosen two thumb knobs on squeegee assembly and slide squeegee into slots on squeegee mount bracket (Figure 4).

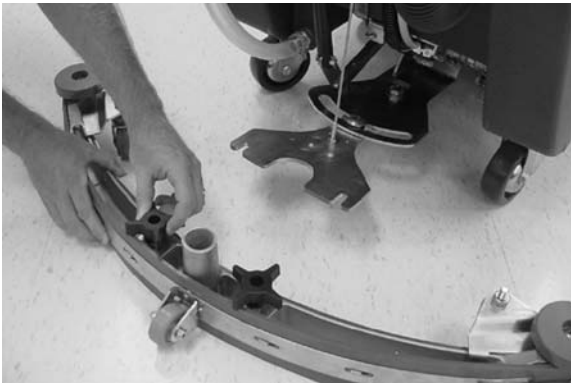


FIG. 4

- Tighten thumb knobs securely.
- Connect vacuum hose from machine to squeegee assembly (Figure 5).

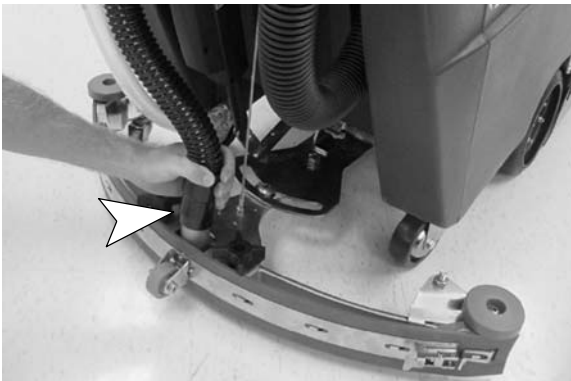


FIG. 5

INSTALLING BRUSH OR PAD DRIVERS

- Turn main switch to the on position.
- Make sure the scrub head is raised by turning off the brush switch (Figure 6).



FIG. 6

- Turn main switch to the off position.

FOR SAFETY: Before leaving or servicing machine, stop on level surface and turn off machine.

- Unfasten black latch at front of machine and hinge open skirt housing to access motor hub (Figure 7).



FIG. 7

- Select recommended pads or brushes that best meets your cleaning needs.

NOTE: Consult an authorized distributor for pad/brush recommendations.

- (For Pad Installation)** Attach pads to pad drivers before connecting drivers to motor hub. Secure pads with plastic centerlock ring (Figure 8).

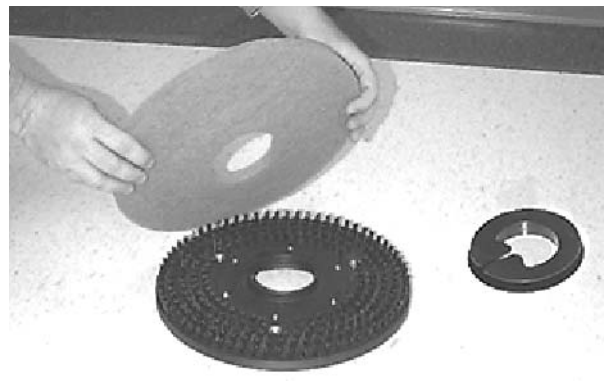


FIG. 8

OPERATION

- Align pad driver mounting studs with slots in motor hub. Give the driver a quick turn toward the motor hub spring clip. Be certain that spring clip locks into one of the studs before operating machine (Figure 9).

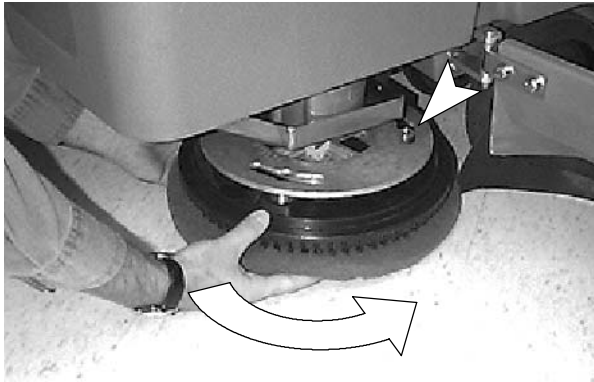


FIG. 9

NOTE: Always make sure pad drivers and motor hub surfaces are always clean before installing drivers. Clean surfaces will ease pad driver removal later.

- Close skirt housing and refasten latch.

INSTALLING FaST-PAK AGENT (OPTION)

Machine must be equipped with the FaST Option.

- Remove the perforated knock-outs from the FaST-PAK MP (Multi-purpose) Hard Floor Concentrate carton. Do not remove the bag from the carton. Pull out the bag's hose connector at the bottom of the bag and remove the orange hose cap from the connector (Figure 10).

ATTENTION: The FaST-PAK MP Hard Floor Concentrate is specifically designed for the FaST system scrubbing application. NEVER use a substitute, machine damage will result.

FOR SAFETY: When using machine, always follow the handling instructions on chemical container.



FIG. 10

- Place the FaST-PAK carton in the carton holder at the rear of the machine and connect the supply hose to the FaST-PAK bag (Figure 11).



FIG. 11

NOTE: If any dried concentrate is visible on the supply hose connector or on the FaST-PAK connector, soak and clean with warm water.

- Make sure to connect the supply hose onto the hose storing plug when not in use (Figure 12). This will prevent the FaST solution system from drying out and clogging the supply hose.

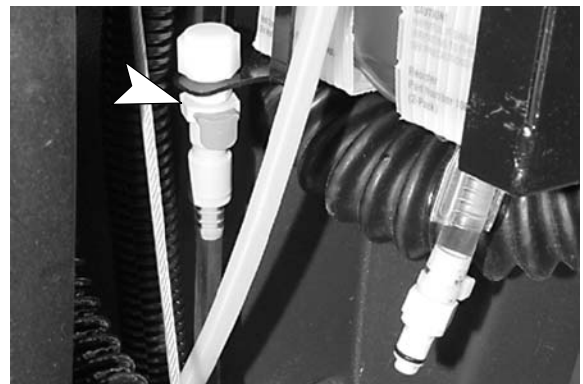


FIG. 12

- The FaST solution system MUST be primed for first time use. To prime system, make sure the solution tank is empty and operate the machine in the FaST Scrub Mode for 3 minutes (See MACHINE OPERATION). **This step is only required for first time FaST system use.**

FILLING SOLUTION TANK

ATTENTION: For Models equipped with the FaST Option. USE CLEAR COOL WATER ONLY. DO NOT add cleaning agents in solution tank. Conventional cleaning agents/restorers may cause failure to the FaST solution system.

1. Transport machine to filling station. Raise squeegee and brush when transporting.
2. Turn main switch to the off position.
3. Remove fill-port cover at front of machine and fill solution tank with 17 gal / 64 L of clean water, 140°F / 60°C maximum temperature. Or use the rear fill port to fill solution tank. Pull off plug and insert hose to fill. The clear tube below the fill port has 5 gal / 19 L increment markers to indicate amount of water in tank (Figure 13).

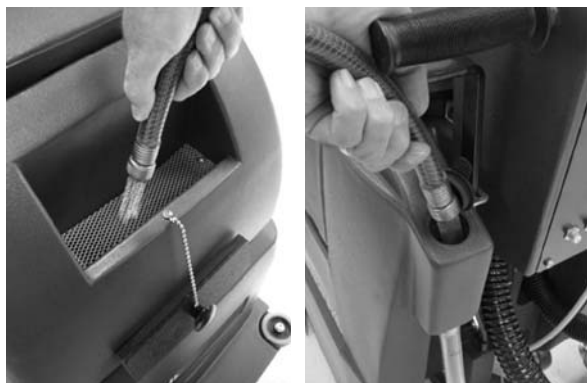


FIG. 13

NOTE: If filling with a bucket be certain that bucket is clean. This will prevent possible solution line clogs.

4. Add cleaning chemical. See proper dilution ratio instructions on bottle.

FOR SAFETY: When using machine, follow mixing and handling instructions on chemical containers.

ATTENTION: Use only recommended cleaning chemicals, DO NOT use substitutes. Consult an authorized distributor for recommendations.

⚠ WARNING: Fire or Explosion Hazard. Never Use Flammable Liquids.

MACHINE OPERATION

FOR SAFETY: Do not operate machine unless operator manual is read and understood.

PRE-OPERATION CHECKS

- Sweep and dust mop floor to remove particles and other debris.
- Check battery meter charge level to ensure batteries are fully charged (See CHARGING BATTERIES).
- Check condition of pads or brushes.
- Check condition of squeegee blades.
- FaST Scrub Mode (option): Make sure that the solution tank is filled with **clear cool water only**. All conventional cleaning agents/restorers must be drained and rinsed from solution tank. Check FaST-PAK agent level, replace carton as needed.

OPERATING MACHINE

NOTE: If your machine is equipped with the FaST Option, refer to page 13 for additional operation procedures.

1. Adjust control grips to a comfortable operating height, squeeze together the two levers below the console (Figure 14).

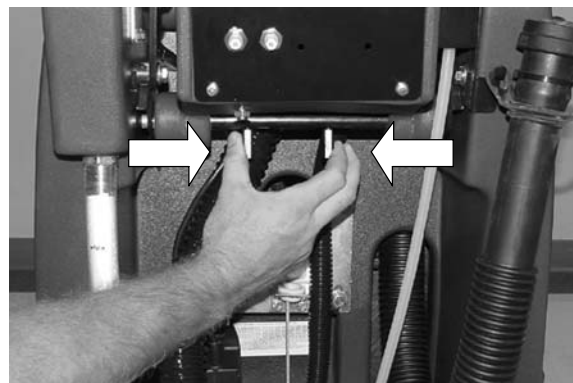


FIG. 14

OPERATION

2. Disengage squeegee lift lever from the up position and lower squeegee (Figure 15).

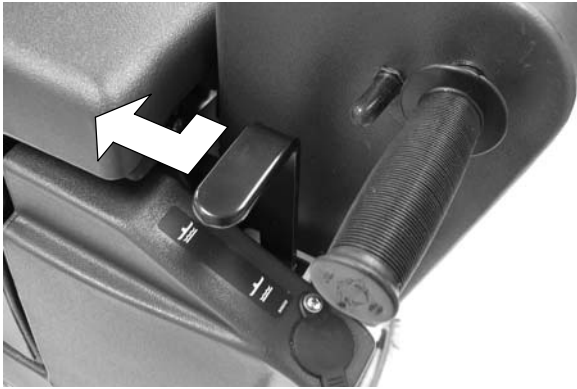


FIG. 15

3. Turn main switch to the on position.
4. Turn brush switch to the on position to lower scrub head to the floor (Figure 16).



FIG. 16

5. Turn vacuum switch to the on position.

NOTE: The brushes and solution flow will not start until control grips are rotated.

6. Before starting, turn speed control knob to slowest setting (Figure 17).
7. Begin scrubbing by rotating control grips forward. Gradually increase your speed by turning speed control knob forward (Figure 17).



FIG. 17

8. Once machine begins to move, check the needle position of the brush pressure meter. Use the (2) pressure adjustment switches to adjust brush pressure. Never operate machine in the red zone (Figure 18).



FIG. 18

ATTENTION: To prevent floor damage and brush motor overload, do not operate brush pressure meter in red zone.

9. To operate machine in reverse, simply pull reverse switch backwards (one speed) (Figure 19).



FIG. 19

10. To stop machine, release control grips.

OPERATING FaST SCRUB SYSTEM (OPTION)

How the FaST System operates (Foam Scrubbing Technology). The FaST-PAK concentrate agent is injected into the system with a mixture of a small amount of water and compressed air. This mixture creates a large volume of expanded wet foam. The expanded foam mixture is then dispersed onto the floor while two scrubbing disks go to work. By the time the squeegee picks up the mixture, the patented foaming agent has collapsed and recovered into the recovery tank. By performing the FaST system application, you can increase your productivity rate by 30% by reducing your dump/fill cycle. You will also reduce your chemical usage and storage space. One FaST-PAK of concentrated agent allows you to scrub up to 90,000m² (1,000,000 ft²).

1. Make sure that the FaST-PAK MP Hard Floor Concentrate carton is properly installed (See INSTALLING FaST-PAK AGENT).
2. Make sure that the solution tank is filled with clear cool water only. DO NOT add conventional cleaning agents in solution tank. Conventional cleaning agents/restorers in the solution tank will result in premature FaST system failure.
3. Press the FaST Scrub/Conventional Scrub Switch toward the FaST Scrub mode position (Figure 20).

NOTE: To scrub with clear water only, simply press the FaST Scrub/Conventional Scrub Switch toward the Conventional Scrub mode position. This allows you to operate the machine in a rinsing application.



FIG. 20

4. Make sure that the main solution switch is in the ON position.

NOTE: The water flow rate from the solution tank is automatically regulated by the operation of the FaST system. The solution flow rate can not be adjusted by the Solution Control Adjustment Knob during the FaST Scrub mode.

5. Follow the standard MACHINE OPERATION instructions to begin scrubbing.

General Information: The FaST and ES options can not be equipped on the same machine.

WHILE OPERATING MACHINE

FOR SAFETY: When using machine, go slow on inclines and slippery surfaces.

⚠ WARNING: Fire Or Explosion Hazard. Do Not Pick Up Flammable Materials Or Reactive Metals.

1. Observe amount of solution flow on floor. To increase or decrease water flow, adjust solution control knob (Figure 21).

NOTE: When scrubbing with the FaST Option, the solution flow knob is inactive.



FIG. 21

2. Periodically observe recovery tank for excessive foam. If excessive foam appears, pour a recommended foam control solution into recovery tank.

ATTENTION: Do not allow foam or water to enter float shut-off screen, vacuum motor damage will result. Foam will not activate float shut-off screen.

3. Always operate at a slower speed when scrubbing around walls or obstacles.
4. Always reduce speed to maintain control when turning machine.
5. If squeegee leaves streaks, raise and wipe blades with a cloth. Pre-sweep area to prevent streaking.
6. Overlap each pass by 2 in / 51 mm.
7. Change or turn over pads when worn.
8. Stay clear of floor obstructions, such as electrical plates or grates, they will destroy pads.
9. During brief stops, you do not have to turn off any switches, the brushes and solution flow will automatically stop when control grips are released.
10. Periodically check battery meter discharge level. When needle drops to the red zone, recharge batteries.

OPERATION

ATTENTION: Do not continue to run machine when battery meter needle is in the red zone, battery damage will result.

11. While cleaning, view clear tube at rear of machine for remaining cleaning solution. Each mark on hose indicates 5 gal / 19 L.
12. When solution tank runs dry, turn off brush switch, and continue to vacuum until all dirty water is consumed. Then drain recovery tank (See DRAINING TANKS).

STOPPING MACHINE

1. Turn off brush switch, and continue to vacuum until all dirty water is consumed.
2. Release control grips.
3. Raise squeegee.
4. Turn off switches and remove key if equipped.

FOR SAFETY: Before leaving or servicing machine, stop on level surface and turn off machine.

EMERGENCY STOPPING (OPTION)

To stop machine in case of an emergency, hit the red power kill button located at rear of control console. The power kill button immediately stops all power to machine (Figure 22).

To reset power kill button, shut off all switches and turn kill button to the right. Resume to normal operation.

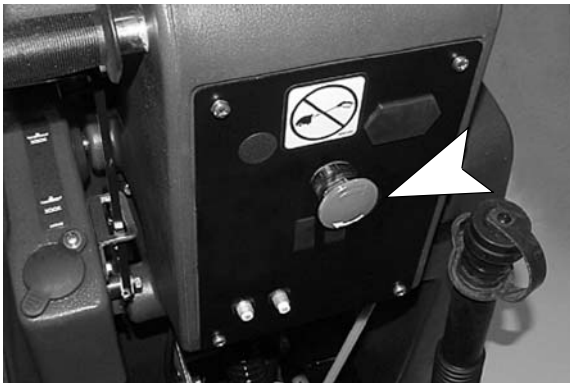


FIG. 22

CIRCUIT BREAKERS

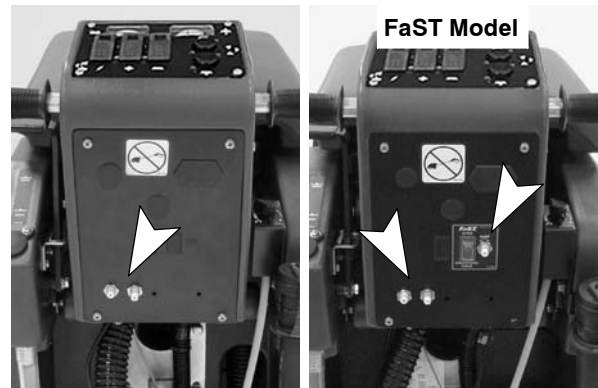
The machine is equipped with (4) circuit breakers to protect machine from damage.

If circuit breakers should trip, the breakers will not reset immediately upon tripping. Determine reason why breaker tripped, allow motor to cool and reset.

Brush motor circuit breakers will trip due to excessive overload on pad. Reduce pad pressure or replace pad if breaker should trip.

The main and drive/vacuum circuit breakers are located at the rear of machine. The brush motor circuit breakers are located near the charging plug (Figure 23).

- 10A Main Circuit Breaker
- 35A Drive Motor/Vacuum Circuit Breaker
- 30A Brush Motor Circuit Breaker (2)
- 10A FaST System (Option)



Brush Motor Circuit Breakers

FIG. 23

DRAINING TANKS

FOR SAFETY: Before leaving or servicing machine, stop on level surface and turn off machine.

DRAINING RECOVERY TANK

When finished scrubbing or when refilling solution tank, recovery tank should be drained and cleaned.

ATTENTION: If recovery tank is not drained before refilling, foam or water will enter float shut-off screen and vacuum motor damage will result.

1. Remove drain hose from holder, position hose over floor drain and twist off drain hose cap. To completely drain recovery tank, hinge open tank and flip up tank support stand to rest tank on (Figure 24).

NOTE: If using a bucket to drain machine, do not use same bucket for filling solution tank. This will prevent possible solution line clogs.



FIG. 24

2. Clean recovery tank after each use. Use a hose to rinse out tank. Be careful not to spray water into float shut-off screen.
3. Replace drain hose cap tightly after draining.

DRAINING SOLUTION TANK

To drain leftover cleaning solution from solution tank, perform the following steps:

1. Pull clear hose off hose barb at rear of machine and drain solution into floor drain or bucket (Figure 25).

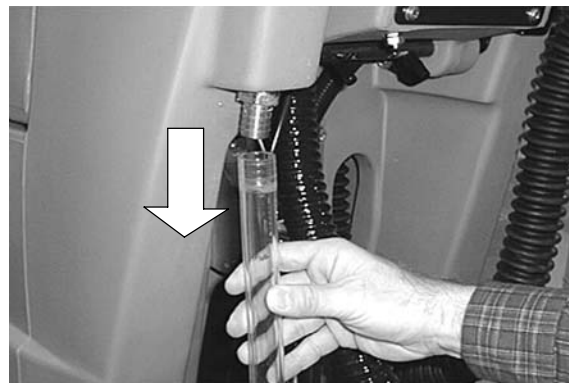


FIG. 25

2. Rinse out solution tank and solution flow system with clean water after each use. This will prevent clogging due to chemical buildup.
3. Reconnect solution tank drain hose securely after draining.

CHARGING BATTERIES

ATTENTION: To prolong the life of the batteries and to provide optimum machine performance, ONLY recharge the batteries after a total of 30 minutes of use or more. Do not leave batteries discharged for lengthy periods.

The following charging instructions are intended for battery chargers supplied with the machine. Only use a battery charger with the following specifications to prevent battery damage.

BATTERY CHARGER SPECIFICATIONS:

- CHARGER TYPE: FOR LEAD ACID BATTERIES
- OUTPUT VOLTAGE - 24 VOLTS
- OUTPUT CURRENT - 25 AMPS MAXIMUM
- AUTOMATIC SHUT-OFF CIRCUIT
- FOR DEEP CYCLE BATTERY CHARGING

1. Transport machine to a well ventilated area for charging.

⚠ WARNING: Fire Or Explosion Hazard. Batteries Emit Hydrogen Gas. Keep Sparks And Open Flame Away. Keep Battery Compartment Open When Charging.

OPERATION

2. Before charging the batteries, check the electrolyte level in each battery cell (Figure 26).



FIG. 26

FOR SAFETY: When servicing machine, wear protective gloves and eye protection when handling batteries or battery cables. Avoid contact with battery acid.

The electrolyte level (A) should slightly cover the battery plates (B). Add distilled water as needed. DO NOT OVERFILL, the fluid may expand and overflow while charging. Replace cell caps before charging (Figure 27).

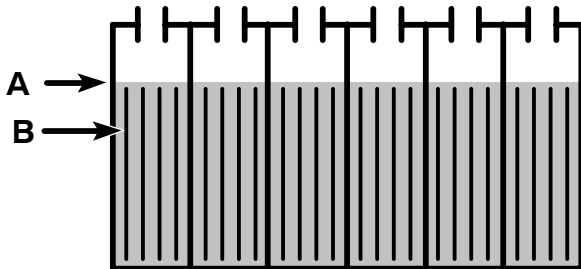


FIG. 27

3. Connect the charger's AC power supply cord to a properly grounded receptacle (Figure 28).

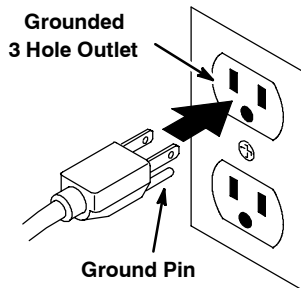


FIG. 28

4. Plug charger's DC output connector to battery connector located near battery compartment (Figure 29).

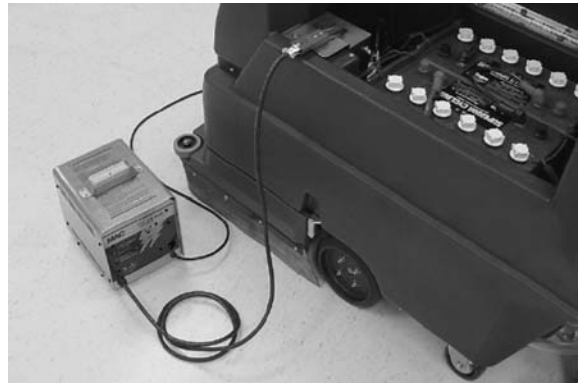


FIG. 29

5. The charger will automatically begin charging and shut off when fully charged.
6. Rest the recovery tank on the support stand to promote ventilation during charging (Figure 30).



FIG. 30

ATTENTION: Do not disconnect the charger's DC cord from the machine's receptacle when the charger is operating. Arcing may result. If the charger must be interrupted during charging, disconnect the AC power supply cord first.

⚠ WARNING: Fire Or Explosion Hazard. Batteries Emit Hydrogen Gas. Keep Sparks And Open Flame Away. Keep Battery Compartment Open When Charging.

- After charging, check the electrolyte level (A) again. The level should be approximately 0.38 in / 1 cm from the bottom of the fill-port (B) (Figure 31). Add distilled water if needed. **DO NOT OVERFILL.**

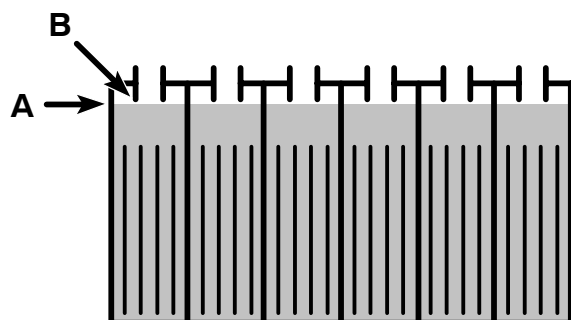


FIG. 31

MACHINE MAINTENANCE

To keep the machine in good working condition, simply follow the daily, monthly and quarterly maintenance procedures.

⚠ WARNING: Electrical Hazard. Disconnect Battery Cables Before Servicing Machine.

DAILY MAINTENANCE (After Every Use)

- Remove and clean pads/brushes. Never use soiled pads when cleaning. Replace pads when they become loaded with residue.
- Remove and clean lint from float shut-off screen located in recovery tank (Figure 32).



FIG. 32

- Drain and rinse tanks thoroughly. After draining tanks, hinge recovery tank until you can see vacuum intake hole at rear of tank. Remove any debris in hole if necessary.

- FaST Model Only: When FaST-PAK carton is not installed on machine, make sure the supply hose is connected the hose storing plug. This will prevent the FaST solution system from drying out and clogging up (Figure 33). If any dried concentrate is visible on the FaST-PAK connector or supply hose connector, soak in warm water to remove.

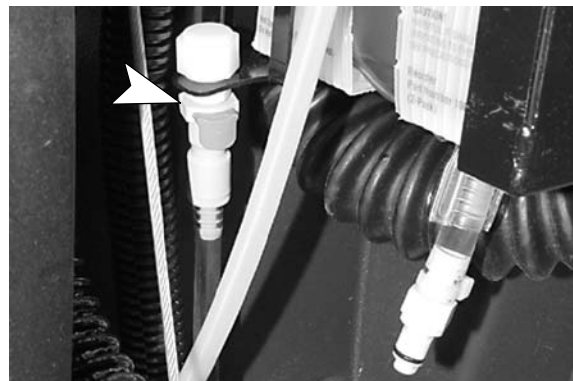


FIG. 33

- Raise squeegee and wipe it off with a dry cloth. Store squeegee in the up position to prevent squeegee damage.
- Clean the machine with an all purpose cleaner and damp cloth (Figure 34).

FOR SAFETY: When cleaning machine, do not power spray or hose off machine. Electrical malfunction may occur.



FIG. 34

- Recharge the batteries after a total of 30 minutes of use or more (See CHARGING BATTERIES).

OPERATION

MONTHLY MAINTENANCE (Every 80 Hours of Use)

1. Check fluid level in battery cells (See BATTERY MAINTENANCE).
2. Clean battery tops to prevent corrosion (See BATTERY MAINTENANCE).
3. Check for loose or corroded battery cables.
4. Remove inline strainer filter and rinse out. Before removing filter, be certain solution tank is empty. Filter is located under machine at rear (Figure 35).

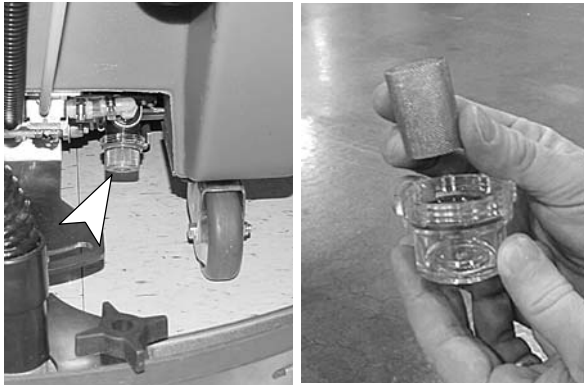


FIG. 35

5. Lubricate caster grease fittings with a water resistant grease.
6. Lubricate all linkage pivot points with silicone spray then coat with a water resistant grease to maintain a smooth operation.
7. Check machine for water leaks and loose nuts and bolts.

QUARTERLY MAINTENANCE (Every 250 Hours of Use)

Check the drive transaxle motor, the vacuum motor and the brush motor for carbon brush wear. Replace carbon brushes when worn to a length of 0.38 in / 10 mm or less.

Contact an Authorized Service Center for machine repairs.

FOR SAFETY: When servicing machine, all repairs must be performed by a qualified service person.

⚠ WARNING: Electrical Hazard. Disconnect Battery Cables Before Servicing Machine.

SQUEEGEE BLADE REPLACEMENT

The squeegee has two squeegee blades. The rear squeegee blade has four wiping edges, the front blade has two wiping edges. When the blades become worn, simply rotate the blades to a new wiping edge. Replace blade if all wiping edges are worn.

Rotating or replacing the rear blade:

1. Remove the squeegee assembly from the machine.
2. Loosen the band clamp and remove the band from the squeegee assembly (Figure 36).

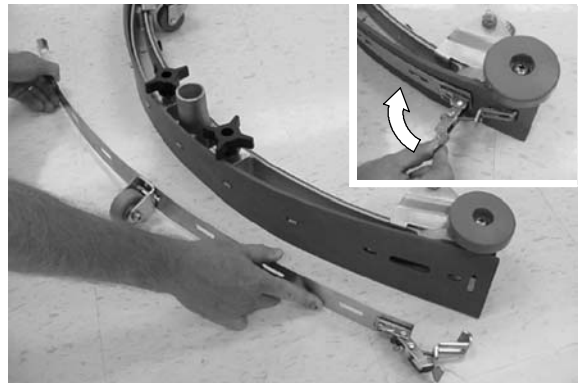


FIG. 36

3. Rotate the rear blade to a new wiping edge and reinstall the band (Figure 37).

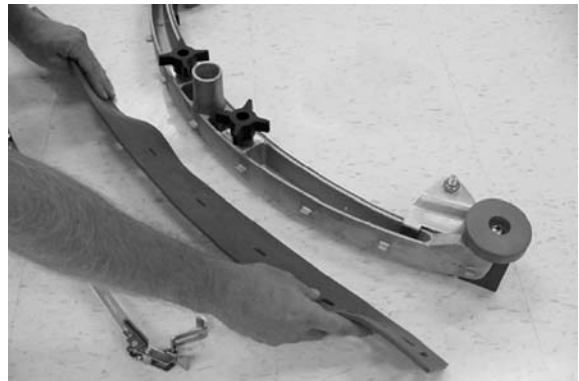


FIG. 37

Rotating or replacing the front blade:

1. Remove the squeegee assembly from the machine.
2. Remove the six thumbscrews holding the retainer and squeegee blade to the squeegee frame. Rotate the squeegee blade end for end to allow a new edge to face the front of the machine. Make sure the notched edge of the blade is facing downward (Figure 38).

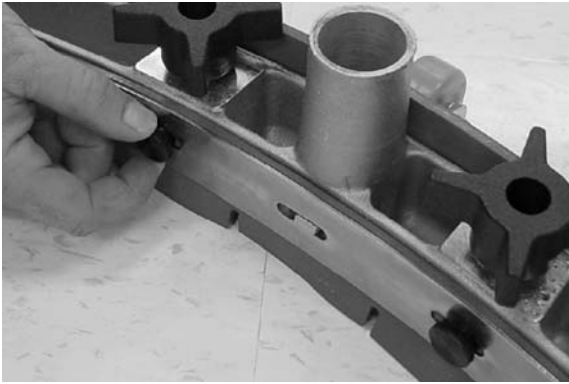


FIG. 38

SQUEEGEE BLADE ADJUSTMENT

For optimum squeegee blade performance, the squeegee assembly casters must be adjusted to a specified height as described below.

1. To check the squeegee assembly for proper adjustment, remove the squeegee assembly from the machine and place it on a level surface. Measure the distance between the caster and the surface. It should measure approximately 1/16" / 2mm (Figure 39).
2. To adjust the caster height, loosen the top nut and remove the plastic bearing cover to access the adjustment nut. Turn the adjustment nut until properly adjusted (Figure 39). After adjusting, tighten the top nut and replace the plastic bearing cover. Repeat step for the other caster.

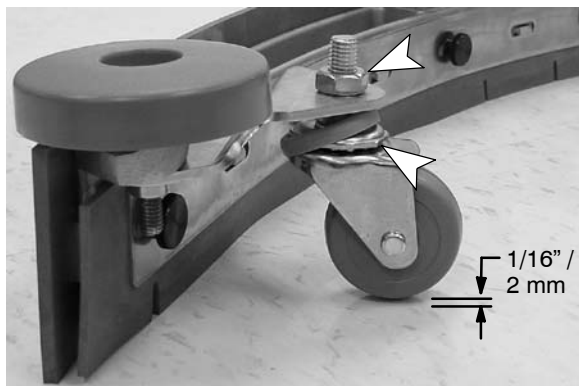


FIG. 39

3. During machine operation, with the casters properly adjusted, the squeegee blades should deflect as shown (Figure 40).

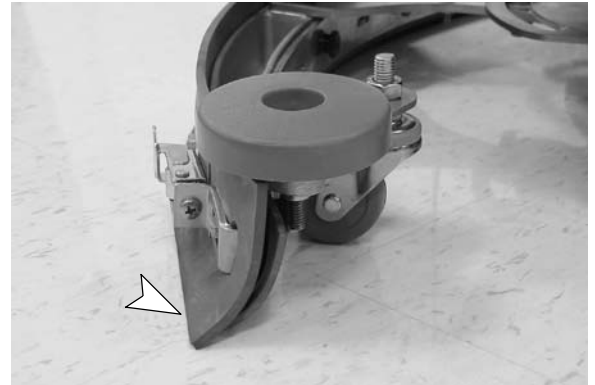


FIG. 40

BATTERY MAINTENANCE

⚠ WARNING: Fire Or Explosion Hazard. Batteries Emit Hydrogen Gas. Keep Sparks And Open Flame Away. Keep Battery Compartment Open When Charging.

FOR SAFETY: When servicing machine, wear protective gloves and eye protection when handling batteries and battery cables. Avoid contact with battery acid.

1. Check the specific gravity using a hydrometer to determine the charge level and the condition of the batteries (Figure 41). If one or more of the battery cells read lower than the other battery cells (0.050 or more), the cell is damaged, shorted, or is about to fail. Check the hydrometer readings against the following chart to determine the remaining battery charge level.

OPERATION

NOTE: Do not take readings immediately after adding distilled water. If the water and acid are not thoroughly mixed, the readings may not be accurate.

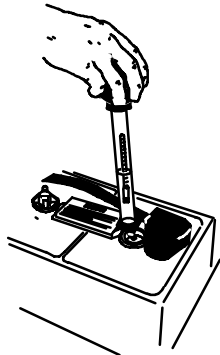


FIG. 41

SPECIFIC GRAVITY at 27°C (80°F)	BATTERY CHARGE
1.265	100% CHARGED
1.223	75% CHARGED
1.185	50% CHARGED
1.148	25% CHARGED
1.110	DISCHARGED

NOTE: If the readings are taken when the battery electrolyte is any temperature other than 80°F / 27°C, the reading must be temperature corrected. Add or subtract to the specific gravity reading 0.004, 4 points, for each 43°F / 6°C above or below 80°F / 27°C.

- Always follow proper charging instructions (See CHARGING BATTERIES).
- Check the electrolyte level (A) in each battery cell **after charging batteries**. The level should be approximately 1 cm (3/8 in) from the bottom of the fill-port (B). Add distilled water if needed (Figure 42).

DO NOT OVERFILL.

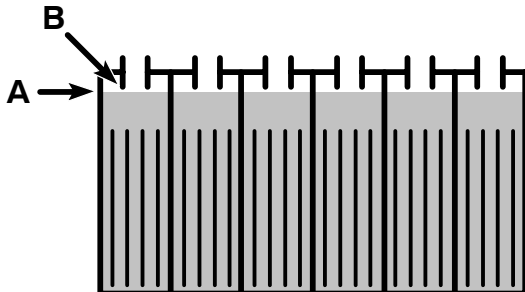


FIG. 42

- Keep the battery tops clean to prevent battery corrosion.

To clean batteries:

FOR SAFETY: When servicing machine, wear protective gloves and eye protection when handling batteries and battery cables. Avoid contact with battery acid.

- Mix a strong solution of baking soda and water (Figure 43).



FIG. 43

- Brush the solution sparingly over the battery tops and cable connectors.

NOTE: Do not allow baking soda solution to enter battery cells.

- Use a wire brush to clean the battery terminals and cable connectors.
 - After cleaning, apply a coating of clear battery post protectant to the terminals and cable connectors.
- Check for loose or worn cables. Replace if worn.

TRANSPORTING MACHINE

When transporting machine by use of trailer or truck, be certain to follow tie-down procedures below:

FOR SAFETY: When using machine, go slow on inclines and slippery surfaces.

- Remove squeegee from machine and raise scrub head. Leave pad or brush installed.
- Load machine using a recommended loading ramp.
- Position front of machine up against front of trailer or truck. Once machine is positioned, lower brush head.
- Place a block behind the drive wheel and the rear casters.
- Place tie-down straps over top of machine and secure straps to floor. It may be necessary to install tie-down brackets to the floor of your trailer or truck.

STORING MACHINE


1. Before storing machine, be certain to flush tanks and drain machine of all water.
2. Store machine in a dry area with squeegee removed and pad driver in the raised position.
3. Remove recovery lid to promote air circulation.
4. When storing machine, raise pad scrub head and squeegee off floor to prevent damage.

ATTENTION: If storing machine in freezing temperatures, be certain to drain machine of all water. Damage due to freezing temperatures is not covered by warranty.

ATTENTION: Do not expose machine to rain; store indoors.

RECOMMENDED STOCK ITEMS

Refer to Parts List section for recommended stock items. Stock Items are clearly identified with a bullet preceding the parts description. See example below:



Ref.	Part No.	Description	Qty.
1	701103	ASM., STANDPIPE	1
2	180618	● FLOAT, SHUTOFF	1
3	230197	NIPPLE	1
4	101714	● GASKET	1
5	210240	NUT, FLANGED	1

OPERATION

TROUBLE SHOOTING

PROBLEM	CAUSE	SOLUTION
No power.	Faulty main switch.	Contact Service Center.
	Batteries need charging.	See CHARGING BATTERIES.
	Faulty battery(s).	Replace battery(s).
	Loose battery cable.	Tighten loose cable.
	MAIN circuit breaker has tripped.	Determine cause and reset circuit breaker button.
Brush motors do not operate.	Brush switch is not on.	Turn on brush switch.
	Control grips are not rotated.	Rotate control grips.
	Brush circuit breaker(s) has tripped.	Clean or replace pad or brush and reset brush circuit breaker button.
	Faulty brush motor or wiring.	Contact Service Center.
	Carbon brushes worn.	Contact Service Center.
	Faulty brush switch or solenoid.	Contact Service Center.
Vacuum motor does not operate.	Faulty vacuum switch.	Contact Service Center.
	Vacuum circuit breaker has tripped.	Remove obstruction and reset breaker.
	Faulty vacuum motor or wiring.	Contact Service Center.
	Carbon brushes worn.	Contact Service Center.
Drive motor does not operate.	Drive motor circuit breaker has tripped.	Determine cause and reset breaker.
	Faulty speed control circuit board or connection.	Contact Service Center.
	Faulty solenoid.	Contact Service Center.
	Faulty drive motor.	Contact Service Center.
	Faulty wiring.	Contact Service Center.
	Worn carbon brushes.	Contact Service Center.
Drive motor operates improperly.	Faulty potentiometer or speed control board.	Contact Service Center.
	Loose wire connection	Contact Service Center.
Little or no solution flow.	Solution flow adjustment knob needs adjusting.	Turn solution flow knob clockwise to increase flow.
	Solution line or solution tank filter is clogged.	Remove hose and blow compressed air through it. Flush solution tank after each use.
	Solution valve or solenoid is clogged.	Remove valve or solenoid and clean. Do not scratch inside of valve.
	Faulty solution switch or solenoid.	Contact Service Center.
	Loose set screw on solution knob.	Calibrate knob and retighten screw.
Short run time.	Batteries not fully charged.	Charge batteries.
	Bad cell in one or more batteries.	Replace battery.
	Batteries need maintenance.	See BATTERY MAINTENANCE.
	Faulty charger.	Replace battery charger.

TROUBLE SHOOTING -continued

PROBLEM	CAUSE	SOLUTION
Poor water pick up.	Recovery tank is full.	Empty recovery tank.
	Ball float shut-off screen inside recovery tank is clogged.	Remove screen and clean.
	Squeegee is clogged with debris.	Clean squeegee.
	Squeegee blades are worn.	Replace squeegee blades.
	Squeegee thumbscrews are loose.	Tighten thumbscrews.
	Vacuum hose connections are loose or hose has a hole.	Push hose cuffs firmly on connections. Replace hose if damaged.
	Vacuum hose is clogged with debris.	Remove clogged debris.
	Recovery tank inlet hole is obstructed.	Empty recovery tank and tilt tank sideways to access inlet hole, remove obstruction.
	Tank gasket is defective.	Replace gasket.
	Drain hose plug is loose.	Tighten drain plug.
	Recovery tank lid is loose.	Tighten lid.
	Vacuum motor is loose.	Contact Service Center.
	Battery charge level is low.	Charge batteries. Do not run machine when battery meter is in the red zone.
Safety lights do not work.	Flasher is burned out.	Contact Service Center.
FaST System Option does not operate.	Solution switch is not activated.	Turn on solution switch.
	Scrub Mode switch is not selected on FaST Scrub.	Select FaST Scrub Mode.
	FaST circuit breaker has tripped.	Determine cause and reset the 10A circuit breaker button.
	Clogged FaST-PAK supply hose and/or connectors.	Soak connector and hose in warm water and clean.
	FaST-PAK carton is empty or not connected.	Replace FaST-PAK carton and/or connect supply hose.
	Clogged flow control orifice.	Remove orifice, clean and reinstall (refer to parts list diagram).
	Faulty scrub mode switch.	Contact Service Center.
	Faulty pump or air compressor.	Contact Service Center.
	Clogged solution tank filter.	Drain solution tank. remove solution tank filter, clean and reinstall.

OPERATION

SPECIFICATIONS

MODEL	SPEED SCRUB 2401	SPEED SCRUB 2601
LENGTH	50 in / 1270 mm	50 in / 1270 mm
WIDTH	26 in / 660 mm	28 in / 711 mm
HEIGHT	39 in / 990 mm	39 in / 990 mm
WEIGHT	375 lb / 170 kg 600 lb / 272 kg with batteries	375 lb / 170 kg 600 lb / 272 kg with batteries
SOL./REC TANK CAPACITY	17 gal / 64 L	17 gal / 64 L
SPEED CONTROL	Variable Fwd. / Fixed Rev.	Variable Fwd. / Fixed Rev.
CLEANING SPEED (MAX)	24,000 sq ft / 2229.6m ² per hour	26,000 sq ft / 2415.4m ² per hour
CLEANING PATH WIDTH	23.123 in / 587 mm	25.13 in / 638 mm
PAD DIAMETER	2 - 12 in / 305 mm	2 - 13 in / 330 mm
PAD PRESSURE	Variable 80-150 lb / 36-68 kg	Variable 80-150 lb / 36-68 kg
SQUEEGEE WIDTH	33 in / 839 mm	33 in / 839 mm
DRIVE SYSTEM	Transaxle, .2 h.p., 24V	Transaxle, .2 h.p., 24V
BRUSH MOTOR	2 - .75 h.p., 220 rpm, 24V, 20A, 550W	2 - .75 h.p., 220 rpm, 24V, 20A, 550W
VACUUM MOTOR	.75 h.p., 3-stage 5.7, 24V, 21A, 550W	.75 h.p., 3-stage 5.7, 24V, 21A, 550W
WATER LIFT	68 in / 1727 mm	68 in / 1727 mm
BATTERIES	2-12V, 215AH	2-12V, 215AH
RUN TIME PER CHARGE	Up to 4 3/4 hours	Up to 4 3/4 hours
DECIBEL RATING AT OPERATOR'S EAR, INDOORS ON TILE.	75 dBA	75 dBA

FaST SYSTEM (OPTION)	
SOLUTION PUMP	24 Volt DC, 3.5 A, 1.5 GPM open flow, 45 psi bypass setting
SOLUTION FLOW RATE	0.15 GPM / 0.57 LPM
DETERGENT PUMP	24 Volt, 24 Watts
CONCENTRATE FLOW RATE	0.02 Ounces/Minute / 0.55 CC/Minute
CONCENTRATE TO WATER DILUTION RATIO	1:1000
AIR COMPRESSOR	24 Volt DC, 0.6 Maximum Amp draw
AIR COMPRESSOR FLOW RATE	0.3 CFM / 8.7 LPM open flow

Este manual se incluye en todos los modelos nuevos. Proporciona la información necesaria para su utilización y mantenimiento.

Lea todo el manual detenidamente para comprender la máquina antes de utilizarla o revisarla.

Use la Lista de Piezas incluida en este manual al ordenar piezas de repuesto. Antes de ordenar piezas o suministros, asegúrese de tener el número de modelo y el número de serie de su máquina. Las piezas y los suministros pueden ordenarse por teléfono o por correo de cualquier centro autorizado de piezas y servicios, distribuidor de piezas o de cualquier subsidiaria del fabricante.

Esta máquina le proporcionará excelentes resultados. Sin embargo, los resultados serán óptimos a un coste mínimo si:

- Utiliza la máquina con un cuidado razonable.
- Realiza las operaciones de mantenimiento de acuerdo con las instrucciones adjuntas.
- Las operaciones de mantenimiento de la máquina se realizan con piezas suministradas por el fabricante o equivalentes.

DATOS DE LA MÁQUINA

Por favor complete en el momento de la instalación, para referencia futura.

No. de modelo - _____

Fecha de instalación - _____

Nº de Serie- _____



PROTECCIÓN DEL MEDIO AMBIENTE

Deseche el material de embalaje, los componentes usados de la máquina como las baterías y los líquidos peligrosos como el anticongelante y el aceite, de forma segura para el medio ambiente, de acuerdo con las normativas o disposiciones locales.



No olvide reciclar.

ÍNDICE

MEDIDAS DE SEGURIDAD	27	TRANSPORTE DE LA MÁQUINA	44
ADHESIVOS DE SEGURIDAD	28	ALMACENAMIENTO DE LA MÁQUINA	45
COMPONENTES DE LA MÁQUINA	29	RECOMENDACIONES PARA EL	
SÍMBOLOS DEL PANEL DE CONTROL	30	ALMACENAMIENTO	45
INSTALACIÓN DE LA MÁQUINA	31	LOCALIZACIÓN DE AVERÍAS	46
DESEMBALADO DE LA MÁQUINA	31	ESPECIFICACIONES	49
INSTALACIÓN DE LAS BATERÍAS	31	DIAGRAMAS ELECTRICAS	74
PREPARACIÓN DE LA MÁQUINA	32	LISTA DE PIEZAS	76
FIJACIÓN DEL CONJUNTO DE LA		CEPILLO DEL REEMPLAZO Y GRUPO DEL	
ESCOBILLA DE GOMA	32	MANDO DE LA ALMOHADILLA	76
INSTALACIÓN DE LOS IMPULSORES DEL		GRUPE DEL DEPÓSITO DE DISOLUCIÓN	78
CEPILLO O LA ALMOHADILLA	32	CONJ. DESPOSITO RECUPERAR	80
INSTALACIÓN DEL AGENTE FaST-PAK		CONJUNTO CONSOLA DE CONTROLES ..	82
(OPCIÓN)	33	GRUPO TABLERO DE COMONONTÉ	84
LLENADO DEL DEPÓSITO DE		GRUPO DE TRANSMISIÓN	86
LA DISOLUCIÓN	34	CONJUNTO IMPULSO DE CEPILLO	88
OPERACIÓN DE LA MÁQUINA	35	CONJUNTO JUEGO	90
INSPECCIONES DE PREOPERACIÓN	35	GRUPO DE SOLUCION,	
UTILIZACIÓN DE LA MÁQUINA	35	MODELO ESTANDARD	92
OPERACIÓN DEL SISTEMA		GRUPO DE SOLUCIÓN, MODELO FaST ..	94
LIMPIADOR FaST (OPCIÓN)	36	GRUPO DE CONTROL DE LA ESCOBILLA	
AL UTILIZAR LA MÁQUINA	37	DE GOMA	96
PARADA DE LA MÁQUINA	37	CONJUNTO PALETA, 33 pulg / 838 mm	98
PARADA DE EMERGENCIA (OPCIÓN)	38	CONJUNTO DE BATERÍA Y CARGADOR ..	100
CORTACIRCUITOS	38	AVERÍA DE LA BOMBA DE DISOLUCIÓN ..	101
VACIADO DE LOS TANQUES	38	AVERÍA DE LA BOMBA DE AIRE	101
VACIADO DEL DEPÓSITO DE		OPCIONES	102
RECUPERACIÓN	38	ES GRUPO DE LA SOLUCIÓN	102
VACIADO DEL DEPÓSITO DE LA		GROUPE D'ASPIRATION ET RACLETTE	
DISOLUCIÓN	39	À MAIN	104
CARGA DE LAS BATERÍAS	39	MEDIDOR DE HORA, BOTÓN DE	
MANTENIMIENTO DE MÁQUINA	41	EMERGENCIA, INTERRUPTOR DE LLAVE,	
MANTENIMIENTO DIARIO	41	HERRAMIENTAS DE BAJO VOLTAGE	105
MANTENIMIENTO MENSUAL	41	JUEGO DE CONVERSIÓN	106
MANTENIMIENTO TRIMESTRAL	42		
SUSTITUCIÓN DE LA LÁMINA DE LA			
ESCOBILLA DE GOMA	42		
AJUSTE DE LAS LÁMINAS DE			
LA ESCOBILLA	43		
MANTENIMIENTO DE LAS BATERÍAS	43		

MEDIDAS DE SEGURIDAD

Esta máquina está destinada al uso comercial. Está diseñada exclusivamente para fregar suelos en recintos cerrados y no debe utilizarse para ningún otro uso. Utilice únicamente los cepillos, almohadillas y limpiadores de suelos específicos recomendados para máquinas disponibles en el mercado.

Todos los operarios deben leer, comprender y cumplir las siguientes medidas de seguridad.

A lo largo de todo el manual se utilizan los siguientes símbolos de advertencia y encabezados "PARA SU SEGURIDAD" descritos a continuación:

⚠ ADVERTENCIA: Advierte sobre riesgos o prácticas inseguras que podrían provocar lesiones personales graves o fatales.

PARA SU SEGURIDAD: Identifica las operaciones que debe realizar para una utilización segura del equipo.

El no cumplimiento de estas advertencias puede causar lesiones personales, descargas eléctricas, incendios y explosiones.

⚠ ADVERTENCIA: Peligro de incendio o explosión:

- Nunca utilice líquidos inflamables ni haga funcionar la máquina en las proximidades de líquidos, vapores o polvos inflamables.

Esta máquina no está equipada con motores a prueba de explosión. Los motores eléctricos emiten chispas al arrancar y durante el funcionamiento lo que podría causar un fuego explosivo o explosión si la máquina se usa en una área donde están presentes vapores/líquidos inflamables o polvos combustibles.

- No recoja materiales inflamables ni metales reactivos.
- Las baterías emiten hidrógeno. Mantenga chispas y llamas alejadas de la máquina. Mantenga el compartimento de la batería abierto mientras realiza la operación de carga.

⚠ ADVERTENCIA: Peligro choque eléctrico. Desconecte los cables de la batería antes de realizar reparaciones en la máquina.

La siguiente información indica las condiciones potencialmente peligrosas para el operario o equipo:

PARA SU SEGURIDAD:

1. No utilice la máquina:
 - Con líquidos inflamables o cerca de gases inflamables, ya que podría provocar explosiones o llamaradas.
 - Salvo que esté debidamente formado y autorizado.
 - Salvo haber leído y comprendido el manual del operario.
 - Si la máquina no funciona correctamente.
2. Antes de operar máquina:
 - Asegúrese de que todos los dispositivos de seguridad se encuentren en su lugar y funcionen correctamente.
3. Al utilizar la máquina:
 - Conduzca despacio en pendientes y superficies resbaladizas.
 - Utilice calzado antideslizante.
 - Sea precavido al retroceder la máquina.
 - Reduzca la velocidad al realizar giros.
 - Informe inmediatamente de las averías de la máquina o si el funcionamiento no es correcto.
 - No permita nunca que los niños jueguen encima o alrededor de la máquina.
 - Siga las instrucciones de mezcla y manipulación indicadas en los depósitos para los productos químicos.
4. Antes de abandonar o revisar la máquina:
 - Deténgase en una superficie horizontal.
 - Apague la máquina.
5. Al revisar la máquina:
 - Evite las partes en movimiento. No utilice chaquetas, camisas o mangas sueltas.
 - Desconecte las conexiones de la batería antes de empezar a trabajar en la máquina.
 - Utilice guantes y gafas de protección al trabajar con las baterías o sus cables.
 - Evite el contacto con el ácido de la batería.
 - Use gúinches o gatos para soportar el peso de la máquina.
 - No moje la máquina rociándola o utilizando una manguera. Pueden producirse fallos eléctricos.
 - Utilice repuestos suministrados o aprobados por el fabricante.
 - Todas las reparaciones deben ser realizadas por personal técnico cualificado.
 - No modifique el diseño original de la máquina.

OPERACIÓN

6. Al transportar la máquina:

- Apague la máquina.
- Utilice una rampa al cargar/descargar la máquina en/de un camión o remolque.
- Utilice las cintas para fijar la máquina al camión o remolque.
- Coloque el cabezal de fregado en la posición bajada.

ADHESIVOS DE SEGURIDAD

Los adhesivos de seguridad se encuentran en las posiciones indicadas a continuación. Sustituya los adhesivos si se han desprendido, están deteriorados o son ilegibles.

ETIQUETA DE ADVERTENCIA - ESTÁ SITUADA EN LA CUBIERTA DEL TANQUE DE RECUPERACIÓN.

	⚠ WARNING	⚠ AVERTISSEMENT	⚠ ADVERTENCIA
	EXPLOSION, FIRE AND SHOCK HAZARD. AVOID INJURY. <ul style="list-style-type: none">• Do Not Use or Pick Up Flammable Materials.• Do Not Use Near Flammable Liquids, Vapors or Combustible Dusts.• Keep Sparks and Open Flame Away When Charging Batteries. Keep Battery Hood Open When Charging.• Disconnect Battery Cables and Charger Cord Before Servicing.	RISQUE D'EXPLOSION, D'INCENDIE ET DE DÉCHARGE. ÉVITEZ LES BLESSURES. <ul style="list-style-type: none">• N'utilisez Pas ou Ne Ramassez Pas de Matériaux Inflammables.• N'utilisez Pas Près de Liquides, Vapeurs ou Poussières Inflammables.• Eloignez les Sources d'Étincelles ou de Flamme Ouverte Lors du Chargement des Batteries. Laissez Ouvert le Capot du Compartiment des Batteries Lors de la Mise en Charge.• Débranchez les Câbles de Batterie et la Cordon du Chargeur Avant l'Entretien.	PELIGRO DE EXPLOSIÓN, FUEGO, DESCARGA EVITE LESIONES. <ul style="list-style-type: none">• No Use O Recoja Materiales Flammables.• No Use Cerca De Líquidos Flammables, Vapores O Materiales Combustibles.• Mantenga Chispas Y Fuego Atejados Mientras Carga Baterías. Mantenga Tapa De Batería Abierta Mientras Carga.• Desconecte Cable De Batería Y Cable Del Cargador Antes Del Mantenimiento.
			
			

1028386

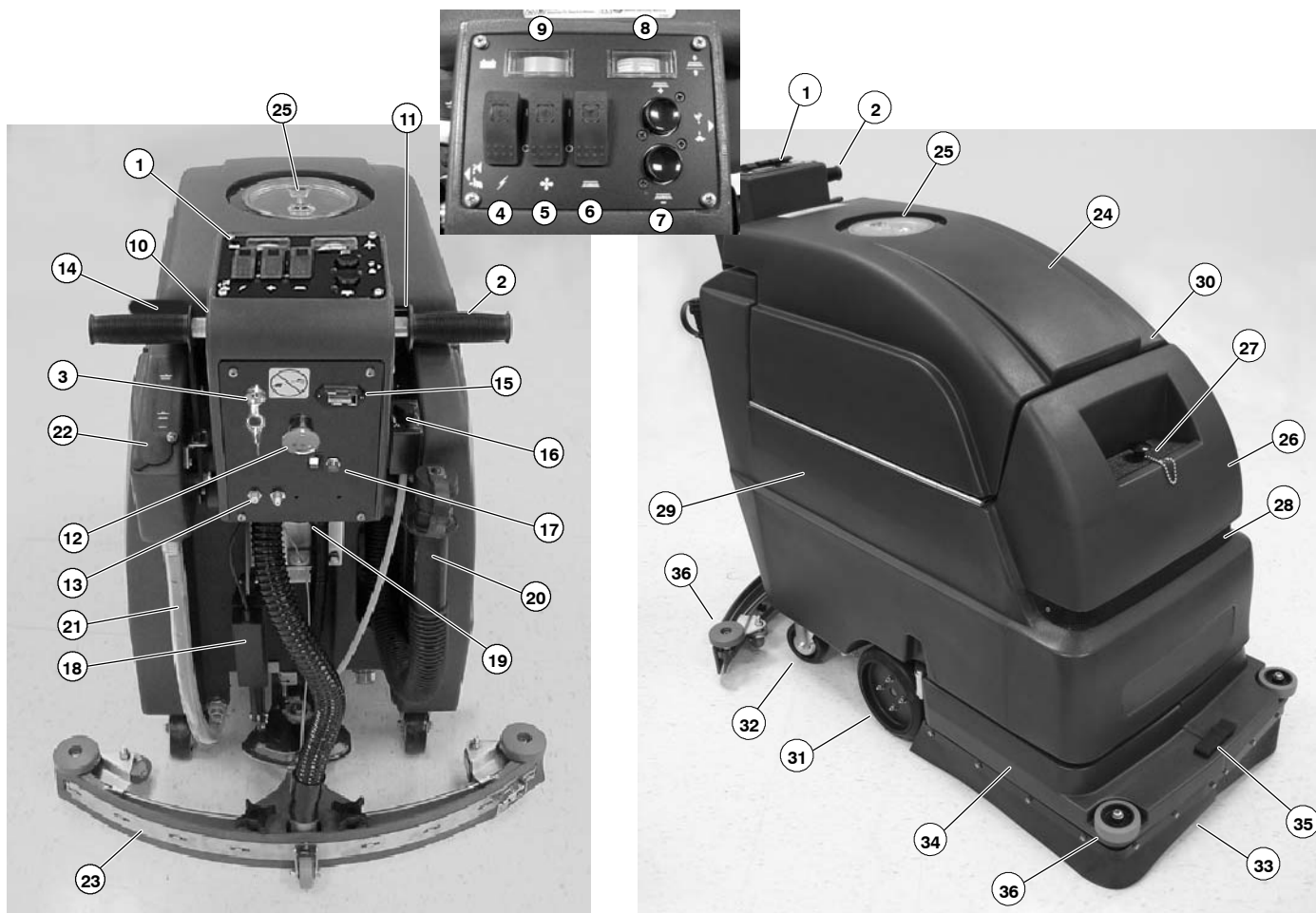


ETIQUETA DE CAMBIO DE BATERIA - ESTÁ SITUADA EN EL COMPARTIMIENTO DE BATERÍA.

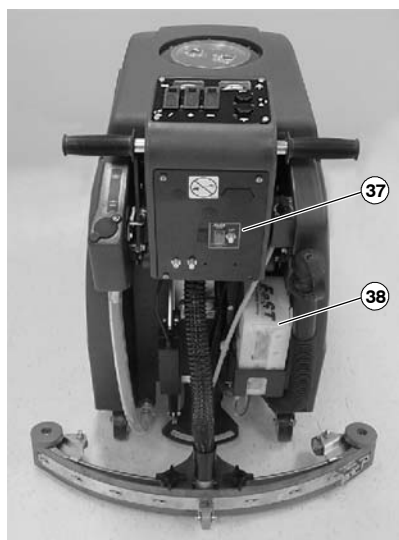
⚠ ADVERTENCIA: Mantenga alejadas las chispas y las llamas expuestas. Al cargar mantenga abierta la cubierta de la batería.



COMPONENTES DE LA MÁQUINA





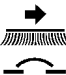









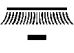


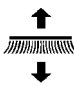



modelo FaST



1. Consola de control
2. Mandos giratorios de control
3. Contacto para la llave (Opción)
4. Interruptor principal de encendido/apagado
5. Interruptor de encendido/apagado de la aspiración
6. Interruptor de encendido/apagado del cepillo/de la disolución
7. Conmutadores de presión del cepillo
8. Indicador de la presión del cepillo
9. Indicador del nivel de carga de la baterías
10. Interruptor de marcha atrás
11. Mando de control de la velocidad
12. Botón de parada (Opción)
13. Cortacircuitos principal, de impulsión/de aspiración
14. Palanca de elevación de la escobilla de goma
15. Contador de horas (Opción)
16. Mando de ajuste del flujo de la disolución
17. Interruptor de ES (Opción)
18. Actuador del cabezal de fregado
19. Palancas de la consola de control ajustable
20. Manguera de vaciado del depósito de recuperación
21. Manguera de vaciado del depósito de la disolución
22. Orificio trasero de llenado
23. Conjunto de la escobilla de goma
24. Depósito de recuperación
25. Tapa del depósito de recuperación
26. Depósito de la disolución
27. Abertura de llenado de la disolución
28. Luces de seguridad
29. Compartimento de la batería
30. Enchufe del cargador
31. Ruedas impulsoras
32. Ruedecillas traseras
33. Aleta del cepillo
34. Bastidor de la aleta
35. Pestillo del bastidor de la aleta
36. Rodillos de pared
37. Conmutador de Limpieza FaST/Convencional (Opción)
38. Sistema surtidor FaST-PAK (Opción)

OPERACIÓN

SÍMBOLOS DEL PANEL DE CONTROL

	Circuito principal		Velocidad rápida		Cortacircuitos del motor del cepillo lateral derecho		Lea el Manual antes de utilizar la máquina
	Aspiración		Velocidad lenta		Cortacircuitos del motor del cepillo lateral izquierdo		Control de la disolución
	Cepillo		Marcha atrás		Cortacircuitos del motor de aspiración		Indicador del nivel de carga de la batería
	Menos presión del cepillo		Escobilla de goma elevada		Cortacircuitos del circuito principal		Indicador de la presión del cepillo
	Más presión del cepillo		Escobilla de goma bajada		Interruptor de circuito FaST System 10A (Opción)		

INSTALACIÓN DE LA MÁQUINA

DESEMBALADO DE LA MÁQUINA

Compruebe cuidadosamente si la caja de cartón muestra daños. En caso de que así sea informe inmediatamente al transportista. Controle el contenido de la caja para asegurarse de que incluye todos los accesorios. La escobilla de goma está embalada con la máquina. Las baterías y su cargador y el(los) impulsor(es) de la almohadilla están embalados aparte.

ATENCIÓN: La instalación de la batería debe realizarse después de desembalar totalmente la máquina.

Para desembalar la máquina, retire las cintas de sujeción y levántela cuidadosamente o utilice una rampa formada con las planchas de embalaje para retirar la máquina del pallet.

ATENCIÓN: No retire la máquina del pallet haciéndola rodar porque podría averiarla.

INSTALACIÓN DE LAS BATERÍAS

⚠ ADVERTENCIA: Peligro de incendio o explosión. Las baterías emiten hidrógeno. Mantenga chispas y llamas alejadas de la máquina. Mantenga la tapa del compartimento de la batería abierto mientras realiza la operación de carga.

PARA SU SEGURIDAD: Al revisar la máquina, utilice guantes y gafas de protección cuando manipule las baterías y sus cables. Evite el contacto con el ácido de la batería.

Especificaciones de la Batería:

Dos baterías de 12 voltios de ciclo profundo. Consulte a un distribuidor autorizado sobre baterías específicas. Las dimensiones máximas de la batería son 7 pulg / 178 mm ancho x 15 pulg / 381 mm largo x 14 pulg / 356mm alto.

1. Sitúe todos los interruptores en la posición de APAGADO.
2. Abra cuidadosamente el depósito de recuperación para acceder al compartimento de la batería. Extraiga del compartimento los cables sueltos de la batería (Figura 1).



FIG. 1

3. Instale con cuidado las baterías en la bandeja de la batería que se encuentra en el fondo del compartimento e instale los bornes de la batería como se muestra (Figura 2).

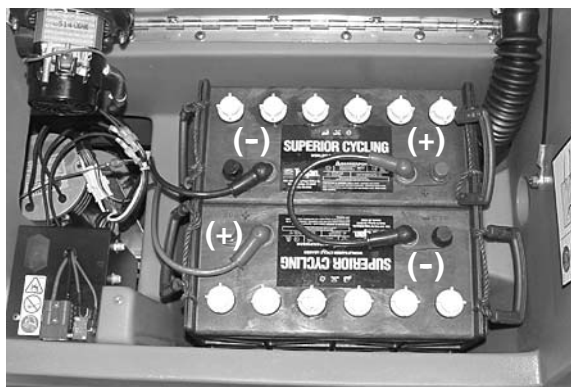


FIG. 2

ATENCIÓN: Deposite las baterías en el compartimento, no las deje caer, tanto la batería como su soporte podrían averiarse. La garantía no cubre este tipo de desperfectos.

4. Conecte los cables de la batería a los bornes de la batería como se muestra (ROJO EN EL POSITIVO Y NEGRO EN EL NEGATIVO) (Figura 2).
5. Gire la llave y encienda el interruptor principal y controle el nivel de carga de la batería. Cargue la batería en caso necesario (Consulte el apartado de CARGA DE LAS BATERÍAS).

OPERACIÓN

PREPARACIÓN DE LA MÁQUINA

FIJACIÓN DEL CONJUNTO DE LA ESCOBILLA DE GOMA

1. Apague el poder de máquina.

PARA SU SEGURIDAD: Antes de abandonar o revisar la máquina, deténgala en una superficie horizontal y apague la máquina.

2. Eleve el soporte de montaje de la escobilla de goma tirando hacia atrás de la palanca de elevación de la escobilla de goma (Figura 3).

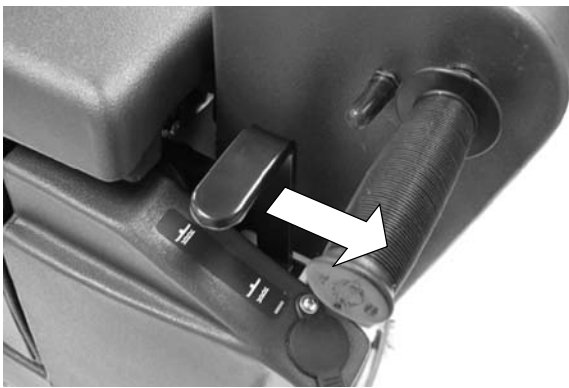


FIG. 3

3. Afloje los dos tornillos de orejas del conjunto de la escobilla de goma e introduzca dicha escobilla deslizándola en las ranuras del soporte de montaje de la escobilla de goma (Figura 4).



FIG. 4

4. Fije bien los tornillos de orejas.

5. Conecte la manguera de aspiración de la máquina al conjunto de la escobilla de goma (Figura 5).

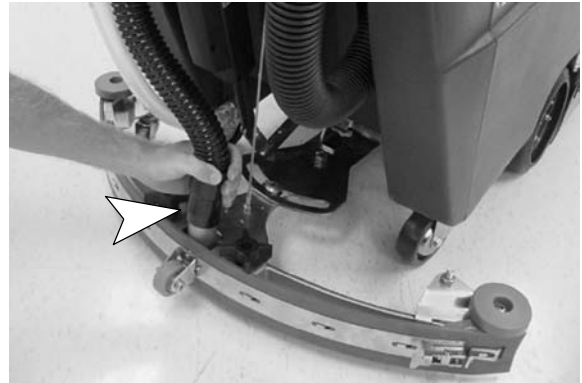


FIG. 5

INSTALACIÓN DE LOS IMPULSORES DEL CEPILLO O LA ALMOHADILLA

1. Gire la llave y encienda el interruptor principal.
2. Asegurarse que el cabezal del cepillo esté elevado apagando el conmutador del cepillo (Figura 6).



FIG. 6

3. Sitúe el interruptor principal y la llave de contacto en la posición de apagado.

PARA SU SEGURIDAD: Antes de abandonar o revisar la máquina, deténgala en una superficie horizontal y apague la máquina.

- Suelte el pestillo negro de la parte delantera de la máquina y abra el soporte de la aleta para poder acceder al cubo del motor (Figura 7).

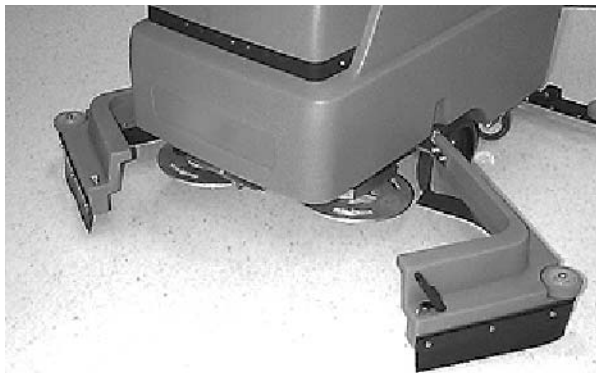


FIG. 7

- Seleccione los cepillos o almohadillas recomendados que mejor se ajusten a sus necesidades de limpieza.

NOTA: Consulte a un distribuidor autorizado el tipo de cepillo/almohadilla recomendado para sus necesidades.

- (Instalación de la almohadilla)** Fije las almohadillas a los impulsores antes de conectar dichos impulsores a los cubos del motor. Fije las almohadillas con el cierre central de plástico en forma de anillo (Figura 8).

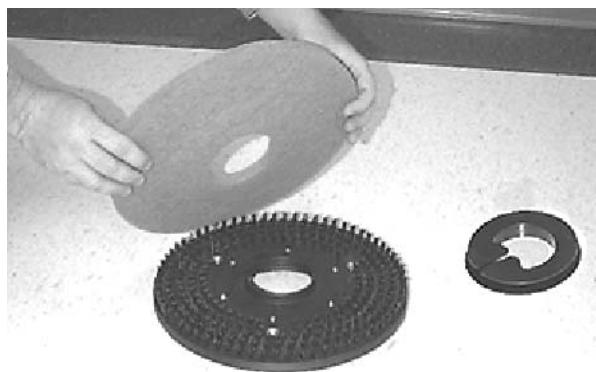


FIG. 8

- Alinee los pernos de montaje del impulsor de la almohadilla y las ranuras del cubo del motor. Gire rápidamente el impulsor hacia el sujetador de resorte del cubo del motor. Asegúrese antes de poner la máquina en funcionamiento de que el sujetador de resorte se introduce e inmobiliza en uno de los pernos del impulsor (Figura 9).

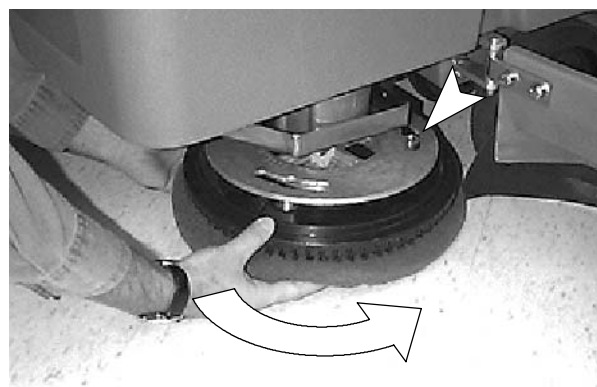


FIG. 9

NOTA: Asegúrese siempre de que las superficies de los impulsores de la almohadilla y del cubo del motor estén siempre limpias antes de instalar los impulsores. Las superficies limpias facilitarán la posterior extracción del impulsor de la almohadilla.

- Cierre el soporte de la aleta y vuelva a cerrar el pestillo.

INSTALACIÓN DEL AGENTE FAST-PAK (OPCIÓN)

La máquina debe estar equipada con la opción FaST.

- Extraiga los orificios ciegos de la caja del concentrado limpiador de pisos FaST-PAK MP. No extraiga la bolsa de la caja. Tire hacia afuera el conector de la manguera de la bolsa al fondo de la bolsa y extraiga la tapa anaranjada de la manguera, del conector (Figura 10).

ATENCIÓN: El concentrado limpiador de pisos FaST-PAK MP está específicamente diseñado para aplicar al sistema de limpieza FaST. NUNCA use un sustituto ya que pueden resultar daños a la máquina.

PARA SU SEGURIDAD: Al usar la máquina observe siempre las instrucciones de manejo en el recipiente de la sustancia química.



FIG. 10

OPERACIÓN

- Coloque la caja FaST-PAK en el recipiente de la caja en la parte posterior de la máquina y conecte la manguera de alimentación a la bolsa del FaST-PAK (Figura 11).

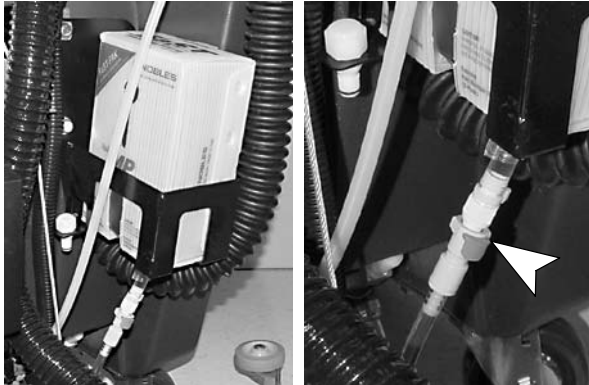


FIG. 11

NOTA: Empape y limpie con agua tibia, si hay concentrado seco visible en el conector de la manguera de alimentación o en el conector del FaST-PAK.

- Asegúrese de conectar la manguera de alimentación sobre la tapa de almacenamiento de la manguera cuando no se usa (Figura 12). Esto impide que el sistema de solución FaST se seque y tapone la manguera de alimentación.

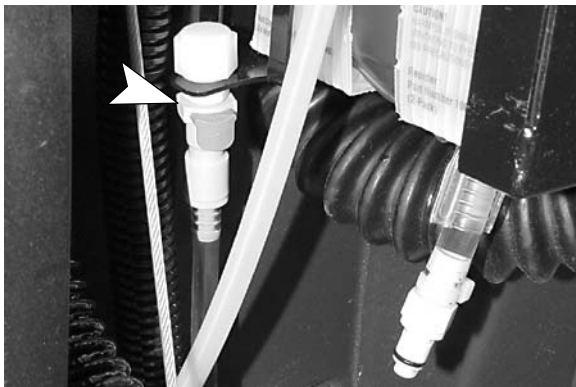


FIG. 12

- El sistema de solución FaST DEBE cebarse para el primer uso. Para cebar el sistema asegúrese que el tanque de solución está vacío y opere la máquina en el modo de limpieza FaST Scrub por 3 minutos (Vea OPERACIÓN DE LA MÁQUINA). Este paso se requiere sólo para el primer uso del sistema FaST.

LLENADO DEL DEPÓSITO DE LA DISOLUCIÓN

ATENCIÓN: SOLO USE AGUA LIMPIA Y FRÍA, para los modelos equipados con la opción de FaST. NO agregue agentes limpiadores al tanque de solución. Los agentes/restauradores convencionales de limpieza pueden causar la falla del sistema de solución FaST.

- Dirija la máquina a la zona de llenado. Levante la escobilla de goma y el cepillo durante el transporte.
- Apague el poder de máquina.
- Retire la tapa del orificio de llenado de la máquina y llene el depósito de la disolución con 17 galones (64 litros) de agua limpia (temperatura máxima de 140°F/60°C). O utilice el orificio de llenado trasero para llenar el depósito de la disolución. Quite el tapón e introduzca una manguera para llenarlo. El tubo transparente que se encuentra debajo del orificio de llenado tiene unas marcas cada 5 galones (19 litros) que indican el volumen de agua del depósito (Figura 13).

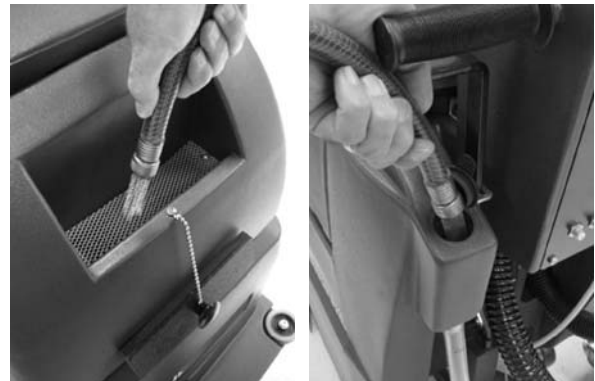


FIG. 13

NOTA: Si utiliza un cubo para llenar el depósito, asegúrese de que dicho cubo esté limpio. Esto evitará posibles obstrucciones de las tuberías de la disolución.

- Añada el producto de limpieza. Consulte en las instrucciones del envase la proporción correcta de la disolución.

PARA SU SEGURIDAD: Siga las instrucciones de mezcla y manipulación indicadas en los envases de los productos químicos cuando utilice la máquina.

ATENCIÓN: Utilice únicamente productos de limpieza recomendados, NO utilice sustitutos. Consulte a un distribuidor autorizado acerca de los productos de limpieza recomendados.

⚠ ADVERTENCIA: Peligro de incendio o explosión. No utilizar NUNCA líquidos inflamables.

OPERACIÓN DE LA MÁQUINA

PARA SU SEGURIDAD: No utilice la máquina salvo que el operario haya leído y comprendido el manual de instrucciones.

INSPECCIONES DE PREOPERACIÓN

- Barra el suelo para eliminar partículas y otros restos.
- Controle el nivel de carga de la batería para asegurarse que de las baterías están completamente cargadas (*Consulte el apartado CARGA DE LAS BATERÍAS*).
- Controle el estado de los cepillos o almohadillas.
- Controle el estado de las láminas de la escobilla de goma.
- Modo FaST Scrub (opción): Asegúrese que se ha drenado todo el tanque de solución y se ha enjuagado de todos los agentes limpiadores convencionales. Inspeccione el nivel del agente FaST-PAK, reemplace la caja según requerido.

UTILIZACIÓN DE LA MÁQUINA

NOTA: Refiérase a las página 36 por procedimientos adicionales de operación, si su máquina está equipada con la opción de FaST.

1. Ajuste los mandos de control a una altura de funcionamiento cómoda, junte las dos palancas que se encuentran bajo la consola (Figura 14).

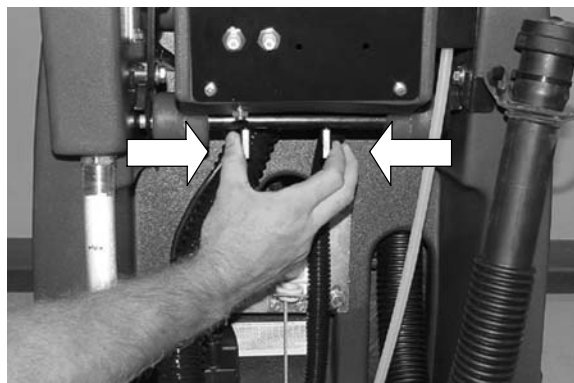


FIG. 14

2. Suelte la palanca de elevación de la escobilla de goma de la posición superior y baje la escobilla de goma (Figura 15).

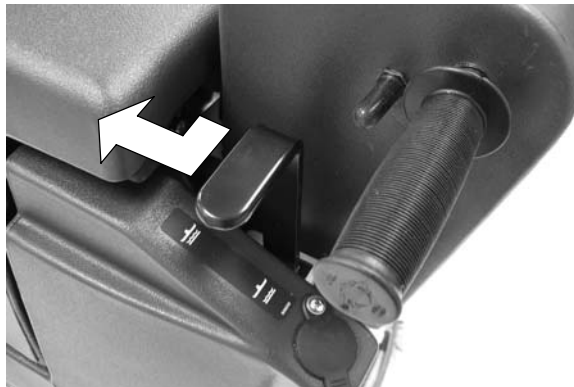


FIG. 15

3. Encienda el conmutador principal.
4. Girar el conmutador del cepillo a la posición de encendido para descender el cabezal del cepillo al piso (Figura 16).



FIG. 16

5. Girar el conmutador de aspiración a la posición de encendido.

NOTA: Los cepillos y el flujo de disolución no empezarán a funcionar hasta girar los mandos de control.

6. Antes de arrancar, gire el mando de control de la velocidad a la velocidad más lenta (Figura 17).
7. Comience la operación de fregado girando hacia delante los mandos de control. Aumente gradualmente la velocidad girando hacia delante los mandos de control de la velocidad (Figura 17).

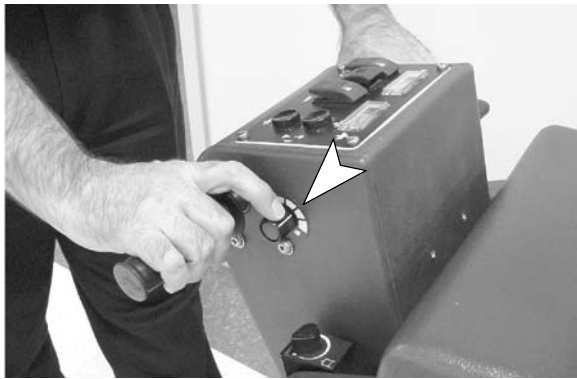


FIG. 17

- Una vez que la máquina comienza a moverse, inspeccionar la posición de la aguja en el medidor de presión del cepillo. Usar los dos (2) conmutadores de ajuste de presión para ajustar la presión del cepillo. No operar nunca la máquina en la zona roja (Figura 18).



FIG. 18

ATENCIÓN: Para evitar el posible deterioro del acabado del suelo y la activación del cortacircuitos del cepillo NO utilice la máquina cuando la aguja de la presión del cepillo se encuentra en la zona roja.

- Para utilizar la máquina marcha atrás, simplemente tire hacia atrás del interruptor de marcha atrás (una velocidad) (Figura 19).



FIG. 19

- Para detener la máquina suelte los mandos de control.

OPERACIÓN DEL SISTEMA LIMPIADOR FaST (OPCIÓN)

Cómo opera el sistema FaST (Tecnología de limpieza por espuma). El agente concentrado FaST-PAK se inyecta dentro del sistema con una mezcla de una pequeña cantidad de agua y aire comprimido. Esta mezcla crea un volumen grande de espuma expandida. La mezcla de espuma expandida se dispersa a continuación sobre el piso mientras que dos discos limpiadores comienzan a funcionar. Cuando el escurridor aspira la mezcla, el agente espumante patentado se hundido y recobrado dentro del tanque de recuperación. Al usar la aplicación del sistema FaST, usted puede incrementar su productividad en un 30% al reducir su ciclo de volcado/llenado. Usted reducirá también el uso y espacio de almacenamiento de las sustancias químicas. Un FaST-PAK de agente concentrado le permite limpiar hasta 90,000 m² (1,000,000 ft²).

- Asegúrese que la caja de concentrado de limpieza de pisos FaST-PAK MP esté bien instalada (Vea INSTALACIÓN DEL AGENTE FAST-PAK).
- Asegúrese que el tanque de solución esté lleno de agua limpia y fría solamente. NO agregue agentes limpiadores convencionales al tanque de solución. Agentes/Restauradores convencionales de limpieza en el tanque de solución resultarán en una falla prematura del sistema FaST.
- Oprima el conmutador de FaST Scrub/Conventional hacia la posición de modo de FaST Scrub (Figura 20).

NOTA: Para limpiar con agua limpia solamente, simplemente oprima el conmutador de FaST Scrub/Conventional Scrub hacia la posición de modo de Conventional Scrub. Esto le permite operar la máquina en una aplicación de enjuague.



FIG. 20

- Coloque el interruptor principal y el de los cepillos en la posición de encendido.

NOTA: La velocidad del flujo de agua del tanque de solución se regula automáticamente mediante la operación del sistema FaST. La velocidad del flujo de solución no puede ajustarse mediante la perilla de ajuste de control de la solución durante el modo de FaST Scrub.

5. Para comenzar a limpiar siga las instrucciones estándar de OPERACIÓN DE LA MÁQUINA.

Información general: La opción de FaST no está diseñada para modelos equipados con la opción ES.

AL UTILIZAR LA MÁQUINA

PARA SU SEGURIDAD: Conduzca despacio cuando utilice la máquina en pendientes o superficies resbaladizas.

⚠ ADVERTENCIA: Peligro de incendio o explosión. NO recoja materiales inflamables ni metales reactivos.

1. Ajuste el botón para controlar la cantidad de flujo de disolución al suelo (Figura 21).

NOTA: La perilla de flujo de solución permanece inactiva, al usar la opción de FaST.



FIG. 21

2. Controle periódicamente que no exista acumulación de espuma en el depósito de recuperación (mire a través de la tapa transparente). Si la acumulación de espuma empieza a ser excesiva, añada un producto de control de la formación de espuma al depósito de recuperación.

ATENCIÓN: No permita que el agua o la espuma se introduzcan en el filtro del flotador de cierre, el motor de aspiración resultaría dañado. La espuma no activará el filtro del flotador de cierre.

3. Reduzca la velocidad siempre que friegue cerca de paredes u obstáculos.

4. Para mantener el control sobre la máquina, reduzca la velocidad siempre que tome curvas.
5. Si la escobilla de goma deja marcas, eleve la escobilla de goma y limpie las láminas con un paño. Realice un barrido previo de la zona para evitar la formación de marcas.
6. Haga que los diferentes pases se superpongan 2 pulg / 5 cm.
7. Cambie o gire las almohadillas cuando estén sucias.
8. Manténgase alejado de obstáculos del suelo como placas eléctricas o rejillas, romperían las almohadillas.
9. No es necesario apagar ningún interruptor durante las paradas cortas, los cepillos y el flujo de la disolución se detendrán automáticamente al soltar los mandos de control.
10. Controle periódicamente el nivel de carga de la batería. Recargue las baterías cuando la aguja del indicador se encuentre en la zona roja.

ATENCIÓN: No utilice la máquina cuando la aguja del indicador del nivel de carga de la batería se encuentre en la zona roja o podría dañar la batería.

11. Controle la cantidad de disolución que queda durante la operación de limpieza a través del tubo indicador transparente. Cada marca de la manguera indica cinco galones / 19 litros.
12. Cuando el tanque de solución no contiene más líquido, girar el conmutador del cepillo a apagado, y continuar aspirando hasta que se haya consumido todo el agua sucia. A continuación drenar el tanque de recuperación (Consulte el apartado de VACIADO DE LOS TANQUES).

PARADA DE LA MÁQUINA

1. Girar el conmutador del cepillo a apagado, y continuar aspirando hasta que se haya consumido todo el agua sucia.
2. Suelte los mandos de control.
3. Elevar el escurridor.
4. Apague los interruptores.

PARA SU SEGURIDAD: Antes de abandonar o revisar la máquina, deténgala en una superficie horizontal y apague la máquina.

OPERACIÓN

PARADA DE EMERGENCIA (OPCIÓN)

Para detener la máquina en caso de emergencia, pulse el botón rojo de parada situado en la parte trasera de la consola de control. El botón de parada interrumpe inmediatamente la alimentación eléctrica a la máquina (Figura 22).

Para reajustar el botón de parada, apague todos los interruptores y gire el botón de parada hacia la derecha. Reanude el funcionamiento normal.

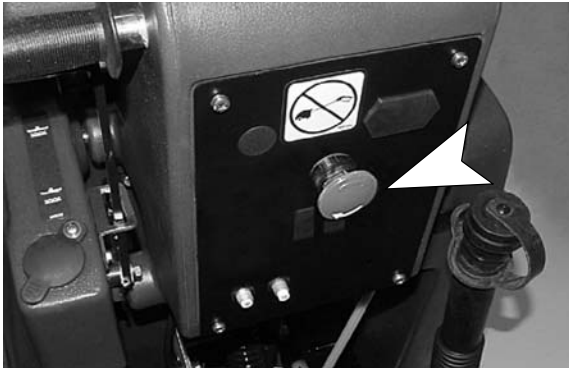
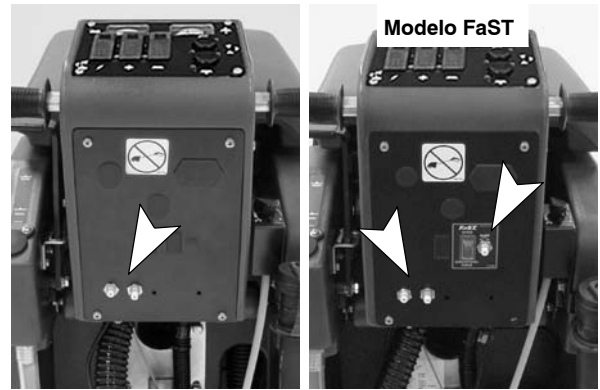


FIG. 22



Los cortacircuitos del motor del cepillo

FIG. 23

CORTACIRCUITOS

La máquina está equipada con (4) cortacircuitos de protección.

Si se activan los cortacircuitos, no los reajuste inmediatamente. Determine la causa de la activación del cortacircuitos, deje que el motor se enfríe y reajuste dicho cortacircuitos.

Los cortacircuitos del motor del cepillo se activarán debido a una carga excesiva de la almohadilla. Reduzca la presión de la almohadilla o sustitúyala si se activa el cortacircuitos. Los cortacircuitos del motor del cepillo se encuentran cerca del enchufe del cargador.

Los cortacircuitos principal y de impulsión/aspiración se encuentran en la parte trasera de la máquina (Figura 23).

- Interruptor de circuito principal 10A
- Interruptor de circuito aspiración/impulsoras 35A
- Interruptor de circuito cepillo 30A (2)
- Interruptor de circuito FaST System 10A (Opción)

VACIADO DE LOS TANQUES

PARA SU SEGURIDAD: Antes de abandonar o revisar la máquina, deténgase en una superficie plana, apague la máquina.

VACIADO DEL DEPÓSITO DE RECUPERACIÓN

Vacíe y limpie del depósito de recuperación al terminar la operación de fregado o rellenar el depósito de disolución.

ATENCIÓN: Si no vacía el depósito de recuperación antes de rellenarlo, podría introducirse agua o espuma en el filtro del flotador de cierre y dañar el motor de aspiración.

1. Extraiga la manguera de vaciado de su soporte, coloque la manguera en el desagüe y abra el tapa de la manguera de vaciado. Para vaciar completamente el depósito de recuperación abra la tapa del depósito lateralmente y coloque la barra de apoyo para colocar el depósito sobre ella (Figura 24).

NOTA: Si utiliza un cubo para vaciar la máquina, no utilice el mismo cubo para llenar el depósito de la disolución. Esto evitará que las tuberías de la disolución se bloqueen.



FIG. 24

2. Aclare el depósito de recuperación después de cada uso. Utilice una manguera para aclarar el depósito. Tenga cuidado de no introducir agua en el filtro del flotador.
3. Vuelva a colocar bien el tapa de la manguera de vaciado después de la operación de vaciado.

VACIADO DEL DEPÓSITO DE LA DISOLUCIÓN

Para vaciar la disolución que no se ha utilizado del depósito de la disolución siga los siguientes pasos:

1. Saque la manguera transparente que se encuentra en la parte trasera de la máquina de su soporte y vacíe la disolución en un desagüe o cubo (Figura 25).

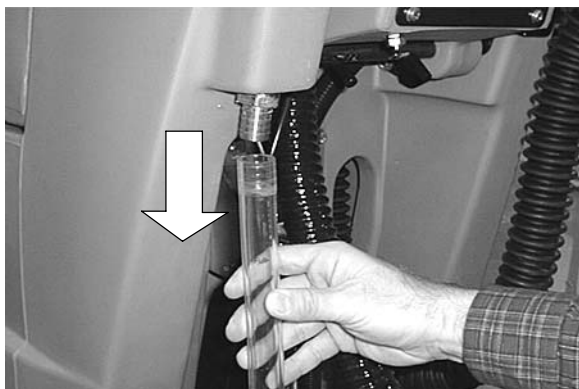


FIG. 25

2. Aclare el depósito de la disolución y el sistema de flujo de la disolución con agua limpia después de cada uso. Esto evitará el bloqueo debido a la acumulación de productos químicos.
3. Vuelva a colocar la manguera transparente en su soporte. Asegúrese de introducirla bien.

CARGA DE LAS BATERÍAS

ATENCIÓN: Para prolongar la vida útil de las baterías y obtener un rendimiento óptimo de la máquina, recargue **ÚNICAMENTE** las baterías si se ha utilizado la máquina más de 30 minutos. **No deje nunca las baterías descargadas durante periodos largos.**

Las siguientes instrucciones de carga se refieren sólo a los cargadores suministrados con la máquina. Utilice únicamente cargadores de baterías de las siguientes características para evitar el deterioro de las baterías.

CARACTERÍSTICAS DEL CARGADOR DE BATERÍAS:

- TIPO DE CARGADOR: PARA BATERÍAS DE PLOMO CON ÁCIDO
- VOLTAJE DE SALIDA 24 VOLTIOS
- CORRIENTE DE SALIDA 25 AMP
- CIRCUITO DE CIERRE AUTOMÁTICO
- PARA CARGAR BATERÍAS DE CICLO PROFUNDO

1. Dirija la máquina a una zona bien ventilada para cargar las baterías.

⚠ ADVERTENCIA: Peligro de incendio o explosión. Las baterías emiten hidrógeno. Mantenga chispas y llamas alejadas de la máquina. Mantenga el compartimento de la batería abierto mientras realiza la operación de carga.

2. Antes de cargar las baterías, compruebe el nivel de electrolito en cada elemento de la batería (Figura 26).



FIG. 26

OPERACIÓN

PARA SU SEGURIDAD: Al revisar la máquina, utilice guantes y gafas de protección cuando manipule las baterías y sus cables. Evite el contacto con el ácido de la batería.

El nivel del electrolito (A) debe cubrir ligeramente los electrodos de la batería (B). Añada agua destilada si es necesario. **NO LLENE EN EXCESO**, el nivel del líquido puede expandirse y desbordarse al cargar. Coloque de nuevo las tapas de los elementos antes de la operación de carga (Figura 27).

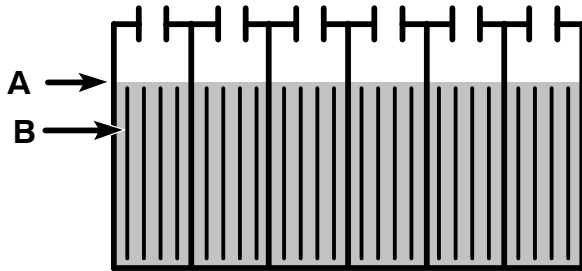


FIG. 27

3. Conecte el cable de alimentación eléctrica de CA del cargador a un enchufe con toma de tierra adecuada (Figura 28).

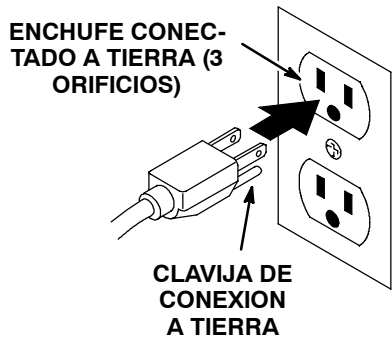


FIG. 28

4. Enchufe el conector de salida CC del cargador al conector de la batería situado cerca del compartimento de la batería (Figura 29).

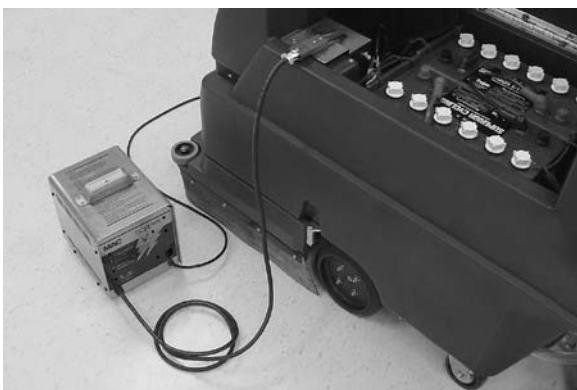


FIG. 29

5. El cargador comenzará la carga automáticamente y se apagará cuando la carga sea completa.
6. Coloque el depósito de recuperación sobre su soporte para facilitar la ventilación durante la carga (Figura 30).



FIG. 30

ATENCIÓN: No desenchufe del receptáculo de la máquina el cable de CC del cargador cuando esté en funcionamiento. Pueden producirse arcos voltaicos. Si es necesario interrumpir la carga, desenchufe el cable de alimentación de CA primero.

⚠ ADVERTENCIA: Peligro de incendio o explosión. Las baterías emiten hidrógeno. Mantenga chispas y llamas alejadas de la máquina. Mantenga el compartimento de la batería abierto mientras realiza la operación de carga.

7. Después de realizar la carga, compruebe el nivel del electrolito (A) de nuevo. El nivel debe estar a aproximadamente 1 cm de la parte inferior del orificio de llenado (B) (Figura 31). Añada agua destilada en caso necesario. **NO LLENE EN EXCESO**.

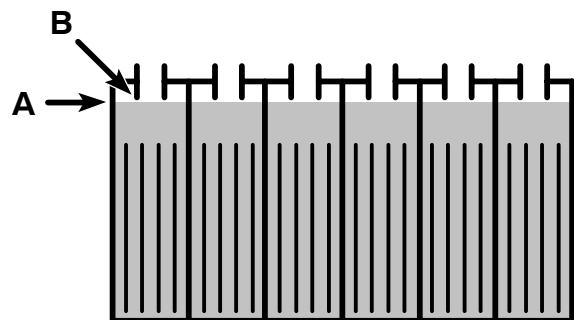


FIG. 31

MANTENIMIENTO DE MÁQUINA

Para mantener la máquina en buenas condiciones de funcionamiento bastará realizar las siguientes operaciones de mantenimiento diaria, mensual o trimestralmente.

⚠ ADVERTENCIA: Peligro eléctrico. Desconecte los cables de la batería antes de realizar reparaciones en la máquina.

MANTENIMIENTO DIARIO (Después de cada uso)

1. Extraiga y limpie los cepillos o almohadillas. No utilice nunca almohadilla sucias durante las operaciones de limpieza. Sustituya las almohadilla cuando estén gastadas o sucias.
2. Extraiga y limpie la pelusa del filtro del flotador de cierre del depósito de recuperación (Figura 32).



FIG. 32

3. Vacíe y limpie a fondo los depósitos. Después de vaciar los depósitos, abra el depósito de recuperación hasta que pueda ver el orificio de entrada de la aspiración en la parte trasera del depósito. En caso necesario retire los residuos bloqueados en dicho orificio.
4. Modelos FaST solamente: Asegúrese que la manguera de alimentación está conectada al tapón de almacenamiento de la manguera, cuando la caja FaST-PAK no está instalada en la máquina. Esto impide que el sistema de solución FaST se seque y tapone (Figura 33). Empape en agua tibia, si está visible concentrado seco en el conector del FaST-PAK o en el conector de la manguera de alimentación, para limpiarlo.

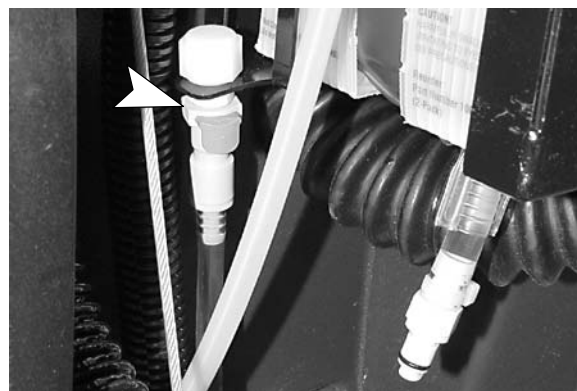


FIG. 33

5. Eleve la escobilla de goma y límpiela con un paño seco. Guarde la escobilla de goma en la posición elevada para evitar que se deteriore.
6. Limpie la máquina con un limpiador general y con un paño húmedo (Figura 34).

PARA SU SEGURIDAD: Cuando limpie la máquina, no moje la máquina rociándola o utilizando una manguera. Pueden producirse fallos eléctricos.



FIG. 34

7. Recargue las baterías después de haberlas utilizado durante un tiempo mínimo de 30 minutos (Consulte CARGA DE LAS BATERÍAS.)

MANTENIMIENTO MENSUAL (Cada 80 horas de uso)

1. Controle el nivel del agua de los elementos de la batería (Consulte el apartado de MANTENIMIENTO DE LAS BATERÍAS).
2. Limpie la parte superior de la batería para evitar la formación de corrosión (Consulte el apartado de MANTENIMIENTO DE LAS BATERÍAS).
3. Compruebe si hay conexiones de cables de las baterías sueltos.

OPERACIÓN

4. Extraiga el filtro en línea. Antes de extraer el filtro, asegúrese de que el depósito de la disolución está vacío. El filtro se encuentra debajo de la máquina en la parte trasera (Figura 35).

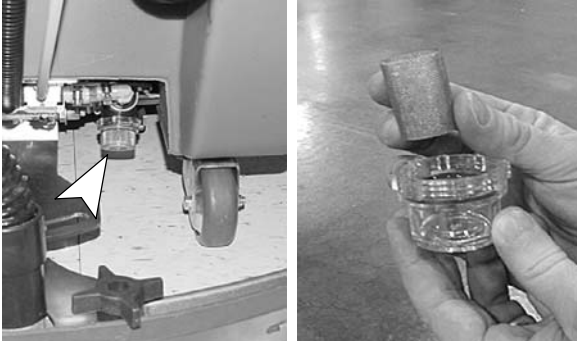


FIG. 35

5. Lubrique los puntos de lubricación de la ruedecilla con grasa impermeable.
6. Lubrique todos los puntos pivotantes de conexión con un spray de silicona y luego con una capa de grasa impermeable para permitir un funcionamiento suave.
7. Controle que la máquina no presenta escapes de agua ni tornillos ni tuercas flojos.

MANTENIMIENTO TRIMESTRAL (Cada 250 horas de uso)

Inspeccione el motor propulsor del eje transversal, los motores de aspiración y los motores de los cepillos, por desgaste de las escobillas de carbón. Reemplace las escobillas cuando estén desgastadas a un largo de 0.38 pulg / 10 mm o menos.

Póngase en contacto con un Centro de Servicio autorizado para reparar las reparaciones necesarias.

PARA SU SEGURIDAD: Todas las reparaciones deben ser realizadas por una persona de servicio calificada.

⚠ ADVERTENCIA: Peligro eléctrico. Desconecte los cables de la batería antes de realizar reparaciones en la máquina.

SUSTITUCIÓN DE LA LÁMINA DE LA ESCOBILLA DE GOMA

La rasqueta lleva dos hojas. La hoja trasera tiene cuatro bordes limpiadores. La hoja delantera tiene dos bordes limpiadores. Cuando las láminas se gasten, simplemente gírelas obtener un nuevo borde de secado. Sustituya la lámina si los bordes están gastados.

Como recambiar o hacer rotar la hoja de rasqueta trasera:

1. Extraiga el conjunto de la escobilla de goma de la máquina.
2. Afloje la banda de fijación y retírela del conjunto de la escobilla (Figura 36).

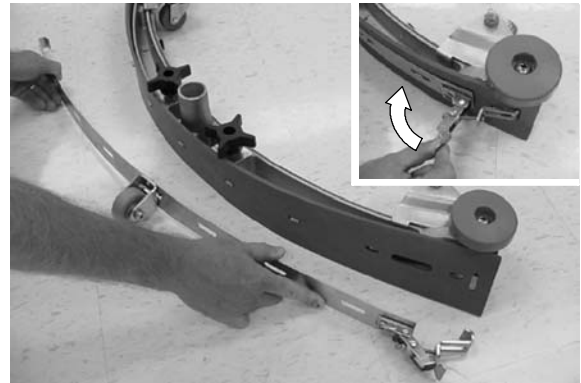


FIG. 36

3. Gire la lámina posterior para obtener un nuevo borde de secado y vuelva a montar la banda (Figura 37).

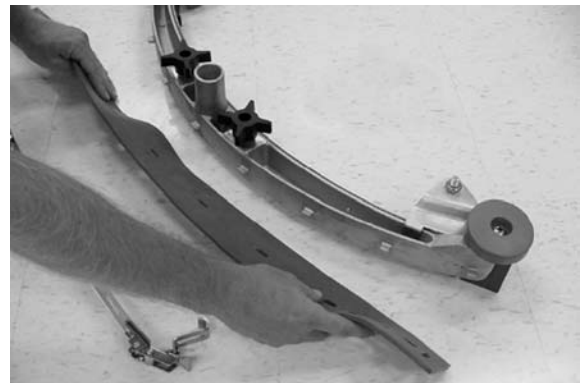


FIG. 37

Como recambiar o hacer rotar la hoja de rasqueta delantera:

1. Extraiga el conjunto de la escobilla de goma de la máquina.
2. Quitar los seis tornillos de orejas que fijan el sujetador y la hoja en el bastidor de la rasqueta. Hacer rotar la hoja en sentido horizontal para que un borde limpiador nuevo quede en la parte delantera. Asegúrese de que el borde ranurado está boca abajo (Figura 38).

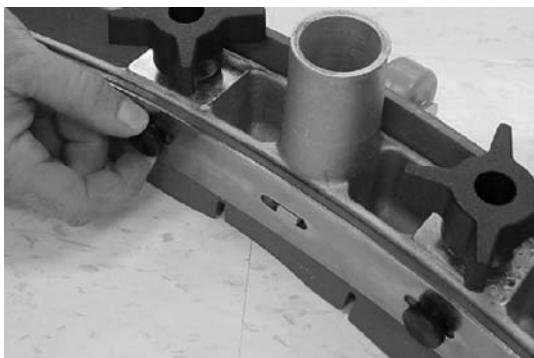


FIG. 38

AJUSTE DE LAS LÁMINAS DE LA ESCOBILLA

Para obtener un rendimiento óptimo de la lámina de la escobilla, las ruedecillas del conjunto de la escobilla deben ajustarse a una altura especificada como se describe a continuación.

1. Para comprobar el correcto ajuste del conjunto de la escobilla, retire el conjunto de la escobilla de la máquina y colóquelo sobre una superficie horizontal. Mida la distancia entre la ruedecilla y la superficie. Debe medir aproximadamente 1/16 pulg / 2 mm (Figura 39).
2. Para ajustar la altura de la ruedecilla, afloje la tuerca superior y retire la cubierta de plástico del cojinete para acceder a la tuerca de ajuste. Gire la tuerca de ajuste hasta que el ajuste sea el correcto (Figura 39). Después de realizar el ajuste, apriete la tuerca superior y vuelva a colocar la cubierta de plástico del cojinete. Repita la misma operación con la otra ruedecilla.

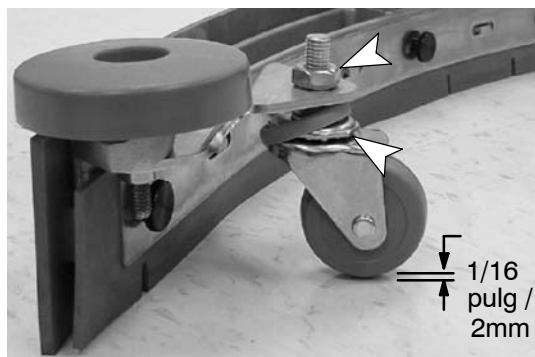


FIG. 39

3. Durante el funcionamiento de la máquina, con las ruedecillas adecuadamente ajustadas, las láminas de la escobilla deben curvarse como se muestra (Figura 40).

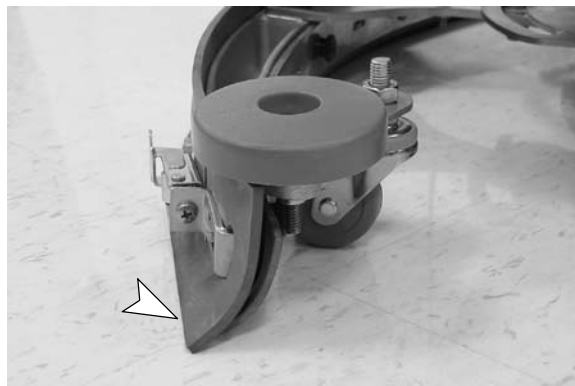


FIG. 40

MANTENIMIENTO DE LAS BATERÍAS

⚠ ADVERTENCIA: Peligro de incendio o explosión. Las baterías emiten hidrógeno. Mantenga chispas y llamas alejadas de la máquina. Mantenga el compartimento de la batería abierto mientras realiza la operación de carga.

PARA SU SEGURIDAD: Al revisar la máquina, utilice guantes y gafas de protección cuando manipule las baterías y sus cables. Evite el contacto con el ácido de la batería.

1. Compruebe la densidad específica utilizando un densímetro para determinar el nivel de carga y el estado de las baterías (Figura 41). Si el valor de uno o más elementos de la batería es inferior al de los otros elementos de la batería (0,050 ó más), este elemento está deteriorado, en cortocircuito o a punto de fallar. Compare los valores obtenidos con el densímetro con los del siguiente esquema para determinar el nivel de carga que queda en la batería.

NOTA: No tome medidas inmediatamente después de añadir agua destilada. Si el agua y el ácido no están bien mezclados, es posible que el valor medido puede no sea correcto.

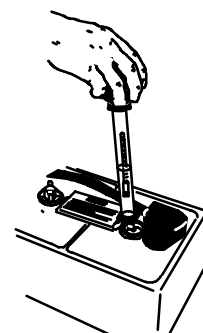


FIG. 41

OPERACIÓN

DENSIDAD ESPECÍFICA a 27°C (80°F)	CARGA DE LA BATERÍA
1,265	100% DE CARGA
1,223	75% DE CARGA
1,185	50% DE CARGA
1,148	25% DE CARGA
1,110	DESCARGADA

NOTA: Si la temperatura del electrolito de la batería a la que se miden los valores no es de 80°F / 27°C, deberá corregir el valor dependiendo de la temperatura. Sume o reste 0,004, 4 puntos, al valor de la densidad específica por cada 43°F / 6°C de diferencia por encima o debajo de 80°F / 27°C.

- Siga siempre las instrucciones de la operación de carga (consulte CARGA DE LAS BATERÍAS).
- Controle el nivel de electrolito (A) en todos los elementos de las baterías después de realizar la operación de carga. El nivel debe estar a aproximadamente 1 cm de la parte inferior del orificio de llenado (B). Añada agua destilada en caso necesario (Figura 42). **NO LLENE EN EXCESO.**

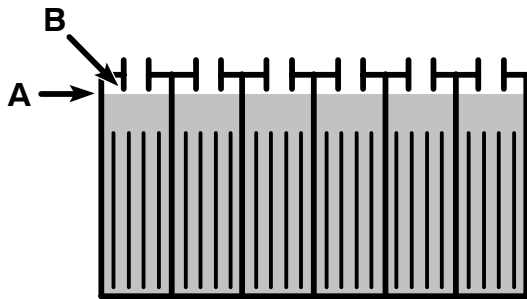


FIG. 42

- Mantenga limpias las partes superiores de las baterías para evitar la corrosión.

Limpieza de las baterías:

PARA SU SEGURIDAD: Al revisar la máquina, utilice guantes y gafas de protección cuando manipule las baterías y sus cables. Evite el contacto con el ácido de la batería.

- Haga una solución concentrada de bicarbonato y agua (Figura 43).



FIG. 43

- Rocíe ligeramente las partes superiores de las baterías y conectores de cables con la disolución.

NOTA: No permita que la solución de bicarbonato se introduzca en los elementos de las baterías.

- Utilice un cepillo de cerdas metálicas para limpiar los bornes y conectores de cables.
 - Después de la limpieza, aplique una capa de protector transparente de bornes de baterías a los bornes y conectores de cables.
- Controle si existen cables gastados o sueltos. Sustitúyalos si están gastados.

TRANSPORTE DE LA MÁQUINA

Cuando transporte la máquina en un camión o remolque, asegúrese de seguir los pasos siguientes para sujetar la máquina:

PARA SU SEGURIDAD: Conduzca despacio cuando utilice la máquina en pendientes o superficies resbaladizas.

- Retire la escobilla de goma de la máquina y levante el cabezal de fregado. Deje instalado el cepillo o la almohadilla.
- Cargue la máquina utilizando la rampa de carga recomendada.
- Colocar el frente de la máquina contra la parte delantera del remolque o camión. Una vez que la máquina esté en posición, bajar el cabezal del cepillo.
- Coloque un calzo detrás de la rueda tractora y de las ruedecillas traseras.
- Pase las cintas de sujeción por la parte superior de la máquina y sujételas al suelo. Puede ser necesario instalar varios soportes de sujeción en el suelo de su camión o remolque.

ALMACENAMIENTO DE LA MÁQUINA

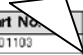
1. Cargue las baterías antes de guardar la máquina. No guarde nunca máquina con las baterías descargadas.
2. Antes de guardar la máquina, asegúrese de aclarar y vaciar todo el agua de los depósitos de la máquina.
3. Guarde la máquina en un sitio seco desmontando la escobilla de goma y con el cabezal de fregado en la posición elevada.
4. Quite la tapa de recuperación para facilitar la circulación de aire.

ATENCIÓN: Si guarda la máquina a temperaturas inferiores a 0°C, asegúrese de vaciar todo el agua de la máquina. La garantía no cubre averías causadas por heladas.

ATENCIÓN: No permita que la lluvia moje la máquina, guárdela en lugares cerrados.

RECOMENDACIONES PARA EL ALMACENAMIENTO

Consulte la sección de Lista de Repuestos para ver que productos son los recomendados. Los elementos de almacén están claramente identificados con una marca colocada delante de la descripción de la pieza. Consulte el siguiente ejemplo:



Ref.	Part No.	Description	Qty.
1	701103	ASM., STANDPIPE	1
2	180613	●FLOAT, SHUTOFF	1
3	230197	NIPPLE	1
4	101714	●GASKET	1
5	210240	NUT, FLANGED	1

OPERACIÓN

LOCALIZACIÓN DE AVERÍAS

PROBLEMA	CAUSA	SOLUCIÓN
No hay alimentación, no funciona nada.	Interruptor principal defectuosos.	Contactar con el Servicio Técnico.
	Las baterías necesitan ser cargadas.	Consultar el apartado de CARGA DE LAS BATERÍAS.
	Batería(s) defectuosa(s).	Sustituir la(s) batería(s).
	Cable de la batería suelto.	Fijar el cable suelto.
	Cortacircuitos principal activado.	Determinar la causa y reajustar el botón del cortacircuitos.
Los motores del cepillo no funcionan.	El interruptor del cepillo no está encendido.	Encender el interruptor del cepillo.
	Los mandos de control no están girados.	Girar los mandos de control.
	Cortacircuitos del cepillo activado(s).	Limpiar o sustituir la almohadilla y reajustar el botón del cortacircuitos.
	Cableado o motor del cepillo defectuosos.	Contactar con el Servicio Técnico.
	Cepillos de carbón gastados.	Contactar con el Servicio Técnico.
	El motor de impulsión no funciona.	Contactar con el Servicio Técnico.
Motor de aspiración no funciona.	Interruptor de aspiración defectuoso.	Contactar con el Servicio Técnico.
	Corta circoito de aspiración ha saltado.	Retirar obstrucción y pouga cortacircuito de nuevo.
	Cableado o motor del aspiración defectuosos.	Contactar con el Servicio Técnico.
	Carboucillos desgastados.	Contactar con el Servicio Técnico.
Motor de avance no funciona.	Cortacircuitos del motor de impulsión activado.	Determinar la causa y reajustar el cortacircuitos.
	Circuito de control de la velocidad o conexión defectuoso.	Contactar con el Servicio Técnico.
	Solenoides defectuosos.	Contactar con el Servicio Técnico.
	Motor de impulsión defectuoso.	Contactar con el Servicio Técnico.
	Cableado defectuoso.	Contactar con el Servicio Técnico.
	Cepillos de carbón gastados.	Contactar con el Servicio Técnico.
Los motor de impulsión funcionan pero no correctamente.	Potenciómetro o circuito de control de la velocidad defectuoso.	Contactar con el Servicio Técnico.
	Conexión del cable suelta	Contactar con el Servicio Técnico.

LOCALIZACIÓN DE AVERÍAS - continuación

PROBLEMA	CAUSA	SOLUCIÓN
Flujo de la disolución escaso o nulo.	Es necesario ajustar el botón de ajuste del flujo de la disolución.	Gire el botón de ajuste del flujo de disolución en el sentido de las agujas del reloj para aumentar el flujo.
	Tubería de la disolución o filtro del depósito de la disolución bloqueados.	Retirar la manguera e introducir aire comprimido a través de su orificio. Aclarar el depósito de la disolución después de cada uso.
	Válvula o solenoide de la disolución bloqueados.	Retirar la válvula o el solenoide y limpiar. No raye el interior de la válvula.
	Interruptor o solenoide de la disolución defectuoso.	Contactar con el Servicio Técnico.
	Afloje el tornillo de fijación del mando de la disolución	Calibre el mando y vuelva a apretar tornillos.
Tiempo de funcionamiento demasiado corto.	Las baterías no están totalmente cargadas.	Cargar las baterías.
	Elemento defectuoso en una o más baterías.	Sustituir la batería.
	Las baterías necesitan una revisión.	Consultar el apartado de MANTENIMIENTO DE LA BATERÍA.
	Cargador defectuoso.	Sustituir el cargador de la batería.
Recogida de agua insuficiente.	Depósito de recuperación lleno.	Vaciar el depósito de recuperación.
	Filtro del flotador de cierre del interior del depósito de recuperación bloqueado.	Extraer el filtro y limpiar.
	Escobilla de goma bloqueada.	Limpiar la escobilla de goma.
	Láminas de la escobilla de goma gastadas.	Sustituir las láminas de la escobilla de goma.
	Tornillos de orejas de la escobilla de goma sueltos.	Apretar los tornillos de orejas.
	Conexiones de la manguera de aspiración sueltas o la manguera está perforada.	Introducir bien la manguera de aspiración en sus conexiones. Sustituir la manguera si está dañada.
	Manguera de aspiración bloqueada.	Retirar los residuos bloqueados.
	Orificio de entrada del depósito de recuperación bloqueado.	Vaciar el depósito de recuperación y levantarlo lateralmente para poder acceder al orificio de entrada, retirar la obstrucción.
	Junta del depósito defectuosa.	Sustituir la junta.
	Tapón de la manguera de vaciado mal cerrado.	Cerrar bien el tapón de vaciado.
	Tapa del depósito de recuperación mal cerrada.	Cerrar la tapa.
	Motor de aspiración flojo.	Contactar con el Servicio Técnico.

OPERACIÓN

LOCALIZACIÓN DE AVERÍAS - continuación

PROBLEMA	CAUSA	SOLUCIÓN
Recogida de agua insuficiente- continuación.	Nivel de carga de la batería bajo.	Cargar las baterías. No utilizar la máquina cuando la aguja indicadora del nivel de carga de la batería se encuentra en la zona roja.
La opción del sistema FaST no funciona.	El conmutador de solución no está activado.	Gire el conmutador de solución a la posición ON.
	No se ha seleccionado el conmutador de Scrub Mode en FaST Scrub.	Seleccione el modo de FaST Scrub.
	Se ha activado el interruptor de circuito FaST.	Determine la causa y regadúe el botón del interruptor de circuito de 10A.
	La manguera de alimentación y/o los conectores del FaST-PAK están taponados.	Empape el conector y la manguera en agua tibia y limpia.
	La caja de FaST-PAK está vacía o no conectada.	Reemplace la caja FaST-PAK y/o conecte la manguera de alimentación.
	El orificio de control de flujo está taponado.	Extraiga el orificio, limpie y vuelva a instalar (refiérase al diagrama de lista de piezas).
	El conmutador de modo de limpieza es defectuoso.	Consulte con el Centro de Servicio.
	La bomba o el compresor de aire son defectuosos.	Consulte con el Centro de Servicio.
El filtro del tanque de solución está taponado.	Drene el tanque de solución, extraiga el filtro del tanque de solución, limpie y vuelva a instalar.	

ESPECIFICACIONES

MODELO	SPEED SCRUB™ 2401	SPEED SCRUB™ 2601
LONGITUD	50 pulg / 1270 mm	50 pulg / 1270 mm
ANCHURA	26 pulg / 660 mm	28 pulg / 711 mm
ALTURA	39 pulg / 990 mm	39 pulg / 990 mm
PESO	375 lb / 170 kg 600 lb / 272 kg -c/ baterías	375 lb / 170 kg 600 lb / 272 kg -c/ baterías
CAPACIDAD DEL DEPÓSITO DE DIS./REC.	17 gal / 64 L	17 gal / 64 L
CONTROL DE LA VELOCIDAD	Hacia delante variable. / Fixed Rev./ Marcha atrás fija.	Hacia delante variable. / Fixed Rev./ Marcha atrás fija.
VELOCIDAD DE LIMPIEZA (MAX)	24,000 sq ft / 2229.6 m ² por hora	26,000 sq ft / 2415.4 m ² por hora
ANCHURA DEL CARRIL DE LIMPIEZA	23.123 pulg / 587 mm	25.13 pulg / 638 mm
DIÁMETRO DE LA ALMOHADILLA	2 - 12 pulg / 305 mm	2 - 13 pulg / 330 mm
PRESIÓN DE LA ALMOHADILLA	Variable 80-150 lb / 36-68 kg	Variable 80-150 lb / 36-68 kg
ANCHURA DE LA ESCOBILLA DE GOMA	33 pulg / 839 mm	33 pulg / 839 mm
SISTEMA DE IMPULSIÓN	Eje de transmisión, .2 c.v., 24V	Eje de transmisión, .2 c.v., 24V
MOTOR DEL CEPILLO	2 - .75 h.p., 220 rpm, 24V, 20A, 550W	2 - .75 h.p., 220 rpm, 24V, 20A, 550W
MOTOR DE ASPIRACIÓN	.75 c.v., 3-tiempos 5.7, 24V, 21A, 550W	.75 c.v., 3-tiempos 5.7, 24V, 21A, 550W
ELEVACIÓN DE AGUA	68 pulg / 1727 mm	68 pulg / 1727 mm
BATERÍAS	2-12V, 215AH	2-12V, 215AH
AUTONOMÍA POR CARGA	Hasta 4 3/4 horas	Hasta 4 3/4 horas
NIVEL DE RUIDO EN DECIBELIOS A LA ALTURA DEL OPERARIO EN RECINTO CERRADO CON SUELO DE BALDOSAS.	75 dBA	75 dBA

SISTEMA FaST (OPCIÓN)	
VELOCIDAD DE FLUJO DE SOLUCION	24 Volt DC, 3.5 A, 45 psi
BOMBA DE SOLUCION	0.15 GPM / 0.57 LPM
BOMBA DE AGENTE FaST-PAK	24 Volt, 24 Watts
VELOCIDAD DE FLUJO DE CONCENTRADO	0.02 Onzas/Minuto / 0.55 CC/Minuto
RELACION DE DILUCION ENTRE CONCENTRADO Y AGUA	1:1000
COMPRESOR DE AIRE	24 Volt DC, 0.6 A
VELOCIDAD DE FLUJO DEL COMPRESOR DE AIRE	0.3 CFM / 8.7 LPM

FONCTIONNEMENT

Ce manuel est fourni avec chaque nouveau modèle. Il fournit les instructions nécessaires au fonctionnement et à l'entretien.

Lisez complètement ce manuel et familiarisez-vous avec la machine avant de l'utiliser ou de l'entretenir.

Une liste complète de pièces détachées avec illustrations accompagne également chaque nouveau modèle. Utilisez la liste de pièces détachées pour commander des pièces de rechange. Avant de commander des pièces ou des fournitures, soyez sûr d'avoir avec vous le numéro de modèle de la machine et le numéro de série. Les pièces et les fournitures se commandent par téléphone ou par courrier auprès de tout centre de dépannage agréé, de tout distributeur ou de l'une des filiales du fabricant.

Cette machine vous fournira d'excellents services. Toutefois, vous obtiendrez les meilleurs résultats pour un prix de revient minimum si:

- La machine est manipulée avec un certain soin.
- La machine fait l'objet d'un entretien régulier conformément aux instructions d'entretien de ce manuel.
- L'entretien de la machine est effectué avec des pièces fournies par le fabricant ou des pièces équivalentes.

DONNÉES DE LA MACHINE

A remplir au moment de l'installation à titre de référence.

Modèle n° _____

Date d'installation - _____

N° série - _____



PROTECTION DE L'ENVIRONNEMENT

Veillez éliminer les matériaux d'emballage, les composants d'anciennes machines comme les batteries, les fluides dangereux tels que l'antigel ou l'huile, d'une manière sûre au point de vue environnemental, suivant la réglementation locale en vigueur en matière d'élimination des déchets.

N'oubliez pas de toujours recycler.



TABLE DES MATIÈRES


MESURES DE SÉCURITÉ	52	SYSTÈM ÉLECTRIQUE	74
ÉTIQUETTES DE MISE EN GARDE	53	PARTS LIST	76
COMPOSANTS STANDARD DE LA MACHINE .	54	GROUPE REMPLACEMENT DES BROSSES ET	
SYMBOLES DU PANNEAU DE COMMANDE ..	55	DU PIGNON MENANT DE PATIN	76
INSTALLATION DE LA MACHINE	56	ENSEMBLE DU RÉSERVOIR DE SOLUTION	78
DEBALLAGE DE LA MACHINE	56	GROUPE RESERVOIR DE RECUPERATION	80
MISE EN PLACE DES BATTERIES	56	GROUPE TABLEAU DE COMMANDE	82
MISE EN SERVICE DE LA MACHINE	56	TABLEAU DES COMPOSANTS	84
FIXATION DU BLOC RACLOIR	56	GROUPE D'ENTRAINEMENT	86
MISE EN PLACE DES BROSSES OU DES		GROUPE TÊTE DE BROSSAGE	
SYSTEMES D'ENTRAINEMENT		DISQUE SIMPLE	88
DES PATINS	57	GROUPE SOUFFLET JUPE	90
INSTALLATION DU FaST-PAK (OPTION) ..	58	GROUPE DE SOLUTION,	
REPLISSAGE DU RESERVOIR		MODÈLE STANDARD	92
DE SOLUTION	59	GROUPE SOLUTION, MODÈLE FaST	94
UTILISATION DE LA MACHINE	59	GROUPE COMMANDE DE RACLOIR	96
VERIFICATIONS PRELIMINAIRES	59	GROUPE DE LA RACLETTE, 33 in / 838 mm	98
FONCTIONNEMENT DE LA MACHINE	60	GROUPE DE BATTERIE ET DE CHARGEUR	100
UTILISATION DU SYSTEME DE		PANNE DE POMPE A SOLUTION	101
BROSSAGE FaST (EN OPTION)	61	PANNE DE POMPE A AIR	101
PENDANT LE FONCTIONNEMENT DE LA		OPTIONS	102
MACHINE	62	ES GRUPE DE SOLUTION	102
COUPE-CIRCUIT	62	GROUPE RACLOIR AUXILIAIRE	
VIDANGE DES RESERVOIRS	63	D'EXTRACTION	104
VIDANGE DU RESERVOIR DE		LOT COMPTEUR HORAIRE, ARRÊT	
RECUPERATION	63	D'URGENCE, CONTACT ET KITS DE BASSE	
VIDANGE DU RESERVOIR DE SOLUTION .	63	TENSION	105
CHARGE DES BATTERIES	64	LOT CONVERSION	106
ENTRETIEN DE LA MACHINE	65		
ENTRETIEN QUOTIDIEN	65		
ENTRETIEN MENSUEL	66		
ENTRETIEN TRIMESTRIEL	66		
REEMPLACEMENT DES LAMES DE RALCOIR	67		
RÉGLAGE DES LAMES DE RACLOIR	67		
ENTRETIEN DES BATTERIES	68		
TRANSPORT DE LA MACHINE	69		
ENTREPOSAGE DE LA MACHINE	69		
PIECES DE STOCK RECOMMANDEES	69		
DEPISTAGE DES PANNES	70		
SPECIFICATIONS	73		

MESURES DE SÉCURITÉ

Cette machine est conçue pour un usage commercial. Elle est destinée exclusivement à nettoyer les sols intérieurs à surface dure et ne convient pas à un quelconque autre usage. Utilisez uniquement des patins, des brosses et des produits nettoyants pour sols disponibles dans le commerce, prévus pour l'application de la machine.

Tous les opérateurs sont tenus de lire et comprendre les consignes de sécurité suivantes et de se familiariser avec celles-ci.

Le symbole de mise en garde suivant et l'en-tête « POUR VOTRE SECURITE » sont utilisés tout au long de ce manuel comme indiqué dans leur description:

 **MISE EN GARDE** : identifie la présence de dangers ou les opérations dangereuses susceptibles de blesser grièvement ou de provoquer la mort.

POUR VOTRE SECURITÉ : identifie les instructions qui doivent être suivies afin de garantir la sécurité lors de l'utilisation de l'équipement.


Le fait de ne pas respecter ces avertissements peut entraîner des blessures, un choc électrique, un incendie ou une explosion.

 **MISE EN GARDE** : danger d'incendie ou d'explosion:

- N'utilisez jamais de liquides inflammables ou n'utilisez pas la machine dans ou près de liquides ou vapeurs inflammables ou de poussières combustibles.

Cette machine n'est pas équipée de moteurs protégés contre les explosions. Les moteurs électriques émettent des étincelles au moment du démarrage et pendant leur fonctionnement, ce qui peut entraîner un incendie instantané ou une explosion si la machine est utilisée dans une zone où des vapeurs/liquides inflammables ou des poussières combustibles, sont présents.

- Ne ramassez pas de matériaux inflammables ou de métaux réactifs.
- Les batteries émettent du gaz hydrogène. Evitez toute étincelle et toute flamme nue à proximité des batteries. Laissez ouvert le compartiment des batteries pendant la mise en charge.

 **MISE EN GARDE** : danger de choc électrique. Débranchez les câbles de la batterie avant l'entretien ou la réparation de la machine.

Les signaux d'information ci-après indiquent les situations potentiellement dangereuses pour l'opérateur ou l'équipement :

POUR VOTRE SECURITÉ:


1. N'utilisez pas la machine:
 - With flammable liquids or near flammable vapors as an explosion or flash fire may occur.
 - Si vous n'y êtes pas formé et autorisé.
 - Avant d'avoir lu et compris le manuel opérateur.
 - Si elle n'est pas en bon état de marche.
2. Avant d'utiliser la machine:
 - Assurez-vous que tous les dispositifs de sécurité se trouvent à leur place et fonctionnent correctement.
3. Lors de l'utilisation de la machine :
 - Roulez lentement sur les pentes et sur les surfaces glissantes.
 - Portez des chaussures antidérapantes.
 - Soyez prudent lorsque vous utilisez la machine en marche arrière.
 - Réduisez la vitesse dans les tournants.
 - Signalez immédiatement tout dommage occasionné à la machine ou tout mauvais fonctionnement.
 - Empêchez les enfants de jouer à proximité de la machine.
 - Suivez les instructions de mélange et de manipulation indiquées sur les conteneurs chimiques.
4. Avant de quitter ou d'entretenir la machine:
 - Arrêtez la machine sur une surface horizontale.
 - Coupez le contact de la machine.
5. Lors de l'entretien de la machine:
 - Évitez les pièces mobiles. Ne portez pas de veste ou de chemise large ou de manches amples.
 - Déconnectez les cosses des batteries avant de travailler sur la machine.
 - Portez des gants et des lunettes de protection lorsque vous maniez les batteries ou les câbles de batteries.
 - Évitez tout contact avec l'acide des batteries.
 - Utilisez un levier ou cric pouvant supporter le poids de la machine.

- N'utilisez pas de jet de pression sur la machine. Un dysfonctionnement électrique risque de se produire.
 - Utilisez des pièces de rechanges fournies ou agréées par le fabricant.
 - Toutes les réparations doivent être effectuées uniquement par un technicien qualifié.
 - Ne modifiez pas le design d'origine de la machine.
6. Lors du transport de la machine:
- Coupez le contact de la machine.
 - Lorsque vous chargez la machine sur le camion ou la remorque ou lorsque vous la déchargez, utilisez une rampe recommandée.
 - Utilisez des sangles pour arrimer la machine sur le camion ou la remorque.
 - Placez la tête de brossage en position basse.

ÉTIQUETTES DE MISE EN GARDE

Les étiquettes de mise en garde se trouvent sur la machine aux endroits indiqués. Remplacez les étiquettes lorsqu'elles sont endommagées ou qu'elles deviennent illisibles.

ÉTIQUETTE MISE EN GARDE - SITUÉE SUR LE COUVERCLE DU RÉSERVOIR DE RÉCUPÉRATION.

⚠ WARNING	⚠ AVERTISSEMENT	⚠ ADVERTENCIA
 <p>EXPLOSION, FIRE AND SHOCK HAZARD. AVOID INJURY.</p> <ul style="list-style-type: none"> • Do Not Use or Pick Up Flammable Materials. • Do Not Use Near Flammable Liquids, Vapors or Combustible Dusts. • Keep Sparks and Open Flame Away When Charging Batteries. Keep Battery Hood Open When Charging. • Disconnect Battery Cables and Charger Cord Before Servicing. 	<p>RISQUE D'EXPLOSION, D'INCENDIE ET DE DÉCHARGE. ÉVITEZ LES BLESSURES.</p> <ul style="list-style-type: none"> • N'utilisez Pas ou Ne Ramassez Pas de Matériaux Inflammables. • N'utilisez Pas Près de Liquides, Vapeurs ou Poussières Inflammables. • Éloignez les Sources d'Étincelles ou de Flamme Ouverte Lors du Chargement des Batteries. Laissez Ouvert le Capot du Compartiment des Batteries Lors de la Mise en Charge. • Débranchez les Câbles de Batterie et la Cordon du Chargeur Avant l'Entretien. 	<p>PELIGRO DE EXPLOSIÓN, FUEGO, DESCARGA EVITE LESIONES.</p> <ul style="list-style-type: none"> • No Use Ó Recoja Materiales Flammables. • No Use Cerca De Líquidos Flammables, Vapores Ó Materiales Combustibles. • Mantenga Chispas Y Fuego Alejados Mientras Carga Baterías. Mantenga Tapa De Batería Abierta Mientras Carga. • Desconecte Cable De Batería Y Cable Del Cargador Antes Del Mantenimiento.

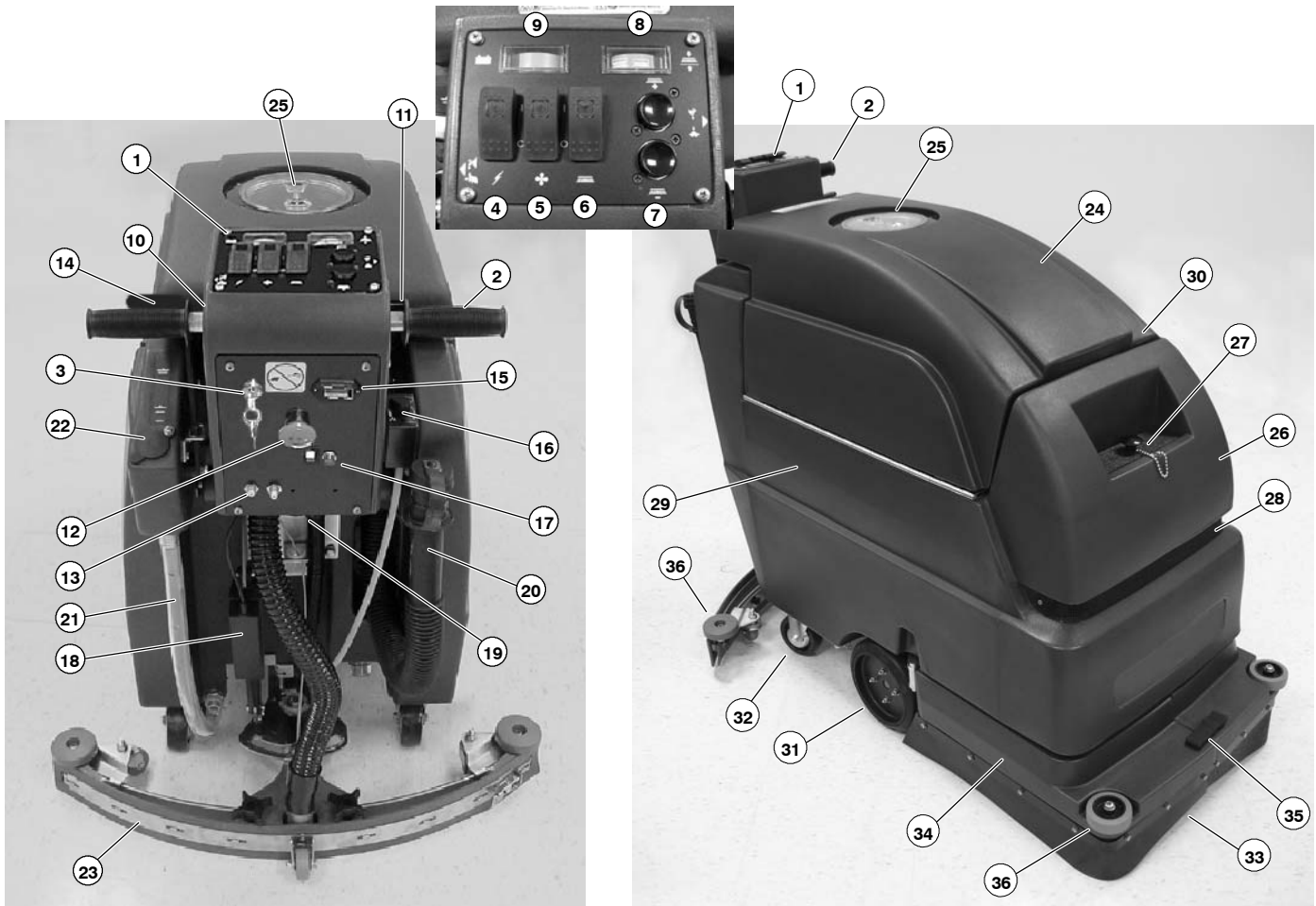


ÉTIQUETTE CHARGE DE BATTERIE – SITUÉE SUR LA FACE INFÉRIEURE DU RÉSERVOIR DE RÉCUPÉRATION.

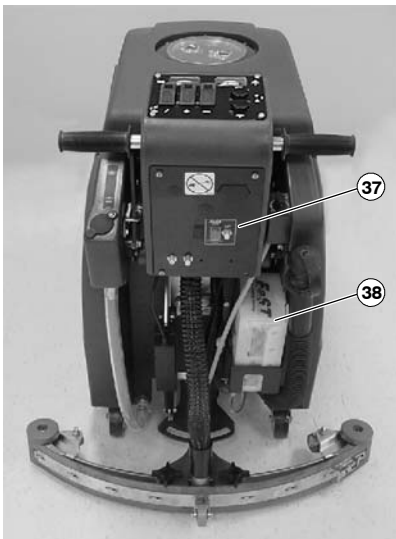
⚠ MISE EN GARDE : danger d'incendie ou d'explosion. Les batteries émettent du gaz hydrogène. Evitez toute étincelle et toute flamme nue à proximité des batteries. Laissez ouvert le compartiment des batteries pendant la mise en charge.



COMPOSANTS STANDARD DE LA MACHINE



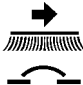



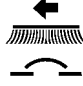








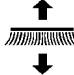





FaST Modèle



- | | |
|--|--|
| <ol style="list-style-type: none"> 1. Panneau de commande 2. Poignées de commande 3. Contact (Opt.) 4. Bouton principal arrêt-marche 5. Bouton d'activation/de désactivation de l'extracteur 6. Bouton d'activation/de désactivation des brosses/du système de distribution de la solution 7. Boutons de pression de brosse 8. Appareil de mesure de la pression des brosses 9. Appareil de mesure de la charge des batteries 10. Bouton de marche arrière 11. Bouton de commande de la vitesse 12. Bouton de coupure de l'alimentation 13. Coupe-circuit principal, de l'extracteur/du système d'entraînement 14. Levier du racloir 15. Compteur horaire (Opt.) 16. Levier de réglage du débit de solution 17. Commutateur ES (brossage étendu) (Option) 18. Dispositif de commande de la tête de nettoyage | <ol style="list-style-type: none"> 19. Commandes du panneau de commande réglable 20. Tuyau de vidange du réservoir de récupération 21. Tuyau de vidange du réservoir de solution 22. Trou de remplissage arrière 23. Bloc racloir 24. Réservoir de récupération 25. Couvercle du réservoir de récupération 26. Réservoir de solution 27. Porte de remplissage du réservoir de solution 28. Feux de sécurité 29. Compartiment des batteries 30. Prise du chargeur 31. Roues motrices 32. Roulettes arrière 33. Jupe des brosses 34. Logement de la jupe 35. Loquet du logement de la jupe 36. Roulettes de mur 37. Bouton de brosse conventionnel/brossage FaST (Opt.) 38. Système de diffusion FaST-PAK (Opt.) |
|--|--|

SYMBOLES DU PANNEAU DE COMMANDE

	Alimentation principale		Grande vitesse		Coupe-circuit du moteur de la brosse droite		Lisez d'abord le mode d'emploi
	Extracteur		Petite vitesse		Coupe-circuit du moteur de la brosse gauche		Appareil de mesure de la charge des batteries
	Brosse		Marche arrière		Coupe-circuit de l'extracteur		Appareil mesure de la pression des brosses
	Diminution de la pression des brosses		Racloir relevé		Coupe-circuit de l'alimentation principale		Commande de la solution
	Augmentation de la pression des brosses		Racloir abaissé		Système FaST, coupe-circuit 10A (option)		

FONCTIONNEMENT

INSTALLATION DE LA MACHINE

DEBALLAGE DE LA MACHINE

Vérifiez soigneusement si le carton ne présente pas de traces d'endommagement. Signalez immédiatement tout dommage au transporteur. Vérifiez le contenu du carton pour vous assurer que tous les accessoires sont présents. Le racloir est emballé avec la machine. Les batteries, le chargeur et le(s) système(s) d'entraînement des patins sont emballés séparément.

ATTENTION: Battery installation must be accomplished after removing machine from shipping crate.

Pour déballer la machine, enlevez les sangles et soulevez-la avec précaution ou fabriquez une rampe avec les cartons de la boîte pour retirer la machine de la palette.

ATTENTION: Do not roll machine off pallet, damage may occur.

MISE EN PLACE DES BATTERIES

⚠ MISE EN GARDE: Les batteries émettent de l'hydrogène. Ce gaz est susceptible d'exploser ou de s'enflammer. Évitez toute étincelle et toute flamme nue à proximité des batteries. Laissez ouvert le compartiment des batteries pendant la mise en charge.

POUR VOTRE SECURITE: Quand vous entretenez la machine, portez des gants de protection quand vous maniez les batteries et les câbles de batterie. Évitez tout contact avec l'acide des batteries.

Spécifications des batteries:

Deux batteries de 12 volts à cycle intensif. Consultez votre distributeur agréé pour obtenir les batteries spécifiques. Dimensions maximum des batteries: 7 in / 17,8 cm de largeur x 15 in / 38 cm de longueur x 14 in / 35,5 cm de hauteur.

1. Tournez le commutateur principal en position OFF.
2. Faites pivoter avec précaution le réservoir de récupération pour accéder au compartiment des batteries. Assurez-vous que le réservoir de récupération est vide avant de l'ouvrir. Retirez du compartiment les câbles de batteries lâches (Figure 1).

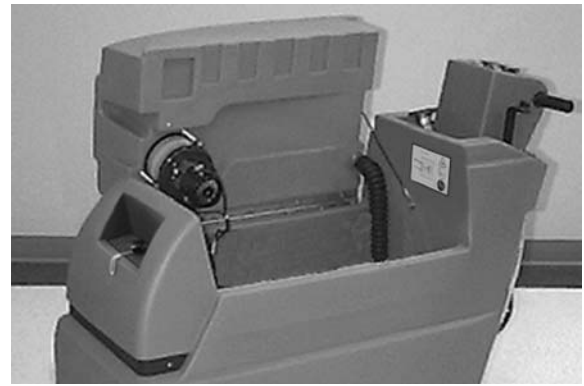


FIG. 1

3. Placez avec précaution les batteries dans le plateau qui se trouve au fond du compartiment et connectez les bornes comme illustré (Figure 2).

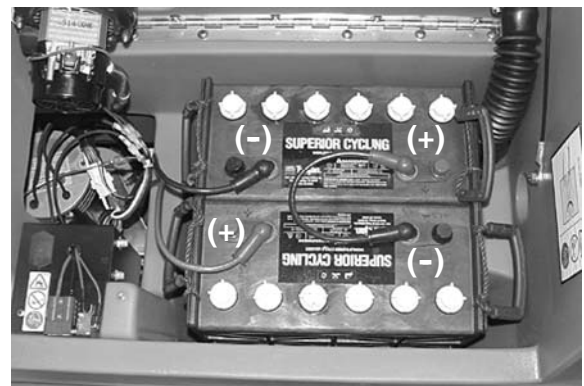


FIG. 2

ATTENTION: Ne laissez pas tomber les batteries dans le compartiment, afin d'éviter d'endommager les batteries et le châssis de la machine. Ces dommages ne sont pas couverts par la garantie.

4. Branchez les câbles aux bornes des batteries comme indiqué (ROUGE SUR BORNE POSITIVE ET NOIR SUR BORNE NEGATIVE) (Figure 2).
5. Tournez la clé et activez l'interrupteur principal et contrôlez le niveau de charge sur l'appareil de mesure de la charge des batteries. Chargez si nécessaire (Voir CHARGE DES BATTERIES).

MISE EN SERVICE DE LA MACHINE

FIXATION DU BLOC RACLOIR

1. Tournez le commutateur principal en position ON.
- POUR VOTRE SECURITE: Avant de quitter ou d'entretenir la machine, arrêtez-la sur une surface horizontale, coupez le contact.**

2. Tirez le levier du racloir vers l'arrière pour relever la bride de fixation du racloir (Figure 3).



FIG. 3

3. Desserrez les deux molettes qui se trouvent sur le bloc racloir et faites glisser le racloir dans les fentes de la bride de fixation du racloir. Assurez-vous que les roulettes du racloir sont tournées vers l'extérieur (Figure 4).

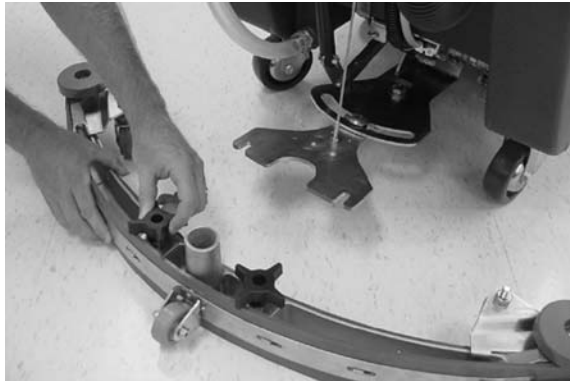


FIG. 4

4. Resserrez bien les molettes.
5. Branchez le tuyau d'aspiration de la machine au bloc racloir (Figure 5).

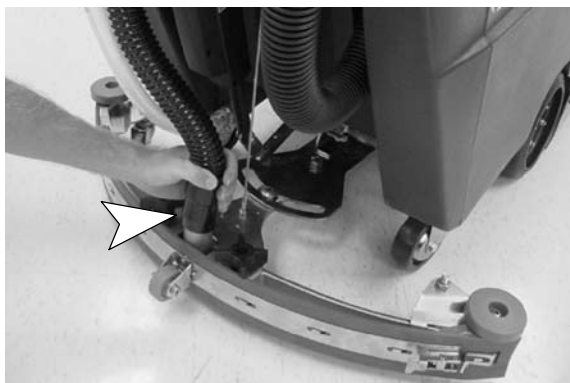


FIG. 5

MISE EN PLACE DES BROSSES OU DES SYSTEMES D'ENTRAINEMENT DES PATINS

1. Tournez le commutateur principal en position ON.
2. Veillez à ce que la tête de brosse soit soulevée en tournant le bouton de brosse en position off (Figure 6).



FIG. 6

3. Tournez le bouton principal et la clé en position OFF.

POUR VOTRE SECURITE: Avant de quitter ou d'entretenir la machine, arrêtez-la sur une surface horizontale, coupez le contact.

4. Défaites le loquet noir à l'avant de la machine et faites pivoter le logement de la jupe pour accéder au moyeu du moteur (Figure 7).

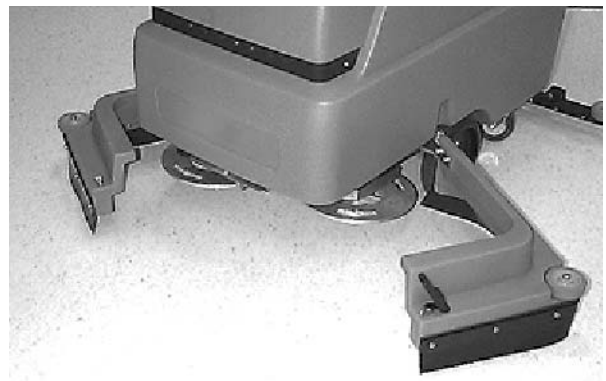


FIG. 7

5. Sélectionnez les patins ou les brosses répondant le mieux à vos besoins.

REMARQUE: Consultez un distributeur agréé pour toute recommandation en matière de patin.

6. **(Mise en place des patins)** Fixez les patins aux systèmes d'entraînement des patins avant d'attacher les systèmes d'entraînement des patins aux moyeux des moteurs. Fixez les patins avec la bague de blocage centrale en plastique (Figure 8).

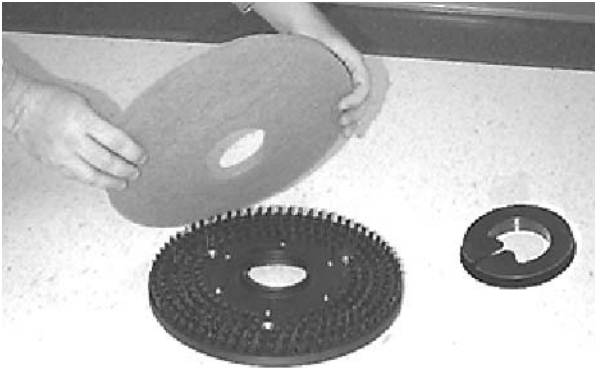


FIG. 8

7. Mettez les ergots du système d'entraînement du patin en face des fentes du moyeu du moteur. Faites faire un tour rapide au système d'entraînement en direction de l'attache à ressort du moyeu du moteur. Vérifiez si l'attache à ressort est bloquée dans un des ergots du système d'entraînement avant d'utiliser la machine (Figure 9).

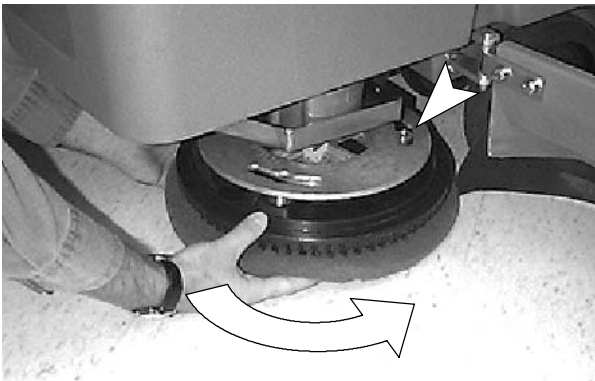


FIG. 9

REMARQUE: Veillez toujours à ce que les systèmes d'entraînement des patins et les surfaces des moyeux des moteurs soient propres avant de mettre en place les systèmes d'entraînement. Ceci facilite la dépose des systèmes d'entraînement.

8. Refermez le logement de la jupe et remettez l'attache.

INSTALLATION DU FaST-PAK (OPTION)

La machine doit être équipée de l'option FaST.

1. Retirez l'éjecteur perforé du carton de concentré FaST-PAK. N'enlevez pas le sac du carton. Tirez le raccord de tuyau au travers de l'éjecteur et retirez le bouchon orange (Figure 10).

ATTENTION: la formule de concentré FaST-PAK a été spécialement conçue pour le système FaST. N'utilisez JAMAIS un produit de substitution, ceci peut provoquer l'endommagement de la machine.

POUR VOTRE SECURITÉ: lorsque vous utilisez la machine, suivez toujours les instructions de manipulation indiquées sur le conteneur chimique.



FIG. 10

2. Placez le carton de FaST PAK dans le support de carton situé à l'arrière de la machine et branchez le tuyau d'alimentation sur le sac FaST PAK (Figure 11).



FIG. 11

REMARQUE: si du concentré séché est visible sur le raccord du tuyau d'alimentation ou sur le raccord FaST-PAK, trempez-les dans l'eau chaude et nettoyez-les.

3. Lorsque vous n'utilisez pas le tuyau d'alimentation, veillez à le brancher sur le bouchon de stockage (Figure 12). Ceci permet d'éviter que le système de solution FaST sèche et obstrue le tuyau d'alimentation.



FIG. 12

4. Le système de solution FaST DOIT être amorcé lors de la première utilisation. Pour amorcer le système, assurez-vous que le réservoir de solution est vide et faites fonctionner la machine en mode de broyage FaST pendant 3 minutes (Voir FONCTIONNEMENT DE LA MACHINE). **Cette étape est nécessaire uniquement pour la première utilisation du système FaST.**

REPLISSAGE DU RESERVOIR DE SOLUTION

ATTENTION: Quand vous utilisez le système FaST (en option), UTILISEZ UNIQUEMENT DE L'EAU CLAIRE FROIDE. N'ajoutez PAS d'agents nettoyants dans le réservoir de solution. Les agents nettoyants/régénérateurs conventionnels peuvent provoquer la panne du système de solution FaST.

1. Transportez la machine jusqu'au poste de ravitaillement. Relevez le racloir et la brosse pendant le transport.
2. Tournez le commutateur principal en position OFF.
3. Ouvrez le trou de remplissage de la solution qui se trouve à l'avant de la machine et remplissez le réservoir de 17 gal / 64 litres d'eau claire, température maximum 140°F / 60° C. Vous pouvez également utiliser le trou de remplissage qui se trouve à l'arrière de la machine pour remplir le réservoir de solution. Enlevez le bouchon et introduisez le tuyau pour remplir le réservoir. Le tube transparent qui se trouve sous le trou de remplissage est pourvu de graduations tous les 5 gal / 19 litres qui indiquent la quantité d'eau dans le réservoir (Figure 13).



FIG. 13

REMARQUE: Si vous remplissez le réservoir avec un seau, assurez-vous que le seau est propre. Ce, afin d'éviter tout risque d'obstruction des conduites du système de distribution de la solution.

4. Ajoutez un nettoyant. Appliquez le taux de dilution indiqué sur le flacon.

POUR VOTRE SECURITE: Quand vous utilisez la machine, suivez les instructions de mélange et de manipulation indiquées sur les conteneurs chimiques.

ATTENTION: Utilisez uniquement des nettoyants recommandés, n'utilisez PAS de produits de substitution. Consultez un distributeur agréé pour toute recommandation.

⚠ MISE EN GARDE: danger d'incendie ou d'explosion. N'utilisez jamais de liquides inflammables.

UTILISATION DE LA MACHINE

POUR VOTRE SECURITE: N'utilisez la machine qu'après avoir lu et compris le manuel opérateur.

VERIFICATIONS PRELIMINAIRES

- Balayez le sol pour enlever les particules et autres débris.
- Vérifiez le niveau de charge des batteries sur l'appareil de mesure de la charge des batteries pour vous assurer que les batteries sont chargées. (Voir CHARGE DES BATTERIES)
- Contrôlez l'état des patins ou des brosses.
- Contrôlez l'état des lames de racloir.

FONCTIONNEMENT

- Mode de brosse FaST (option) : Assurez-vous que le réservoir de solution est rempli **uniquement d'eau claire froide**. Assurez-vous que tous les agents nettoyants/régénérateurs conventionnels sont vidangés et rincés dans le réservoir de solution. Vérifiez le niveau d'agent concentré du FaST PAK, remplacez le carton le cas échéant.

FONCTIONNEMENT DE LA MACHINE

REMARQUE: Si votre machine ES équipée de l'option FaST, reportez-vous aux pages 61 pour les procédures d'opération supplémentaires.

1. Réglez les poignées de commande à une hauteur confortable en pressant l'un contre l'autre les deux leviers sous le panneau de commande (Figure 14).

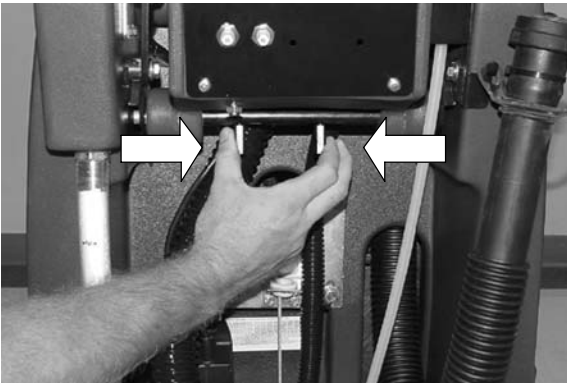


FIG. 14

2. Relâchez le levier du racloir de la position relevée et abaissez le racloir (Figure 15).

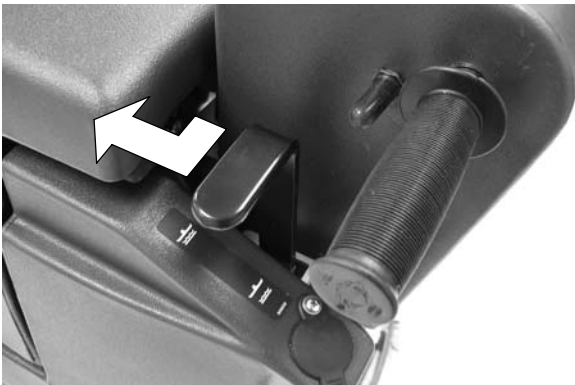


FIG. 15

3. Mettez le contact et activez l'interrupteur principal.

4. Tournez le bouton de brosse en position On pour abaisser la tête de brosse sur le sol (Figure 16).



FIG. 16

5. Tournez le bouton d'extracteur en position On.

REMARQUE: Les brosses et le système de distribution de la solution ne se mettent pas en marche tant que les poignées ne sont pas actionnées.

6. Avant de commencer à nettoyer, mettez le bouton de commande de la vitesse sur la vitesse inférieure (Figure 17).
7. Commencez à nettoyer en tournant les poignées de commande vers l'avant. Augmentez progressivement votre vitesse en tournant le bouton de commande de la vitesse vers l'avant (Figure 17).



FIG. 17

8. Une fois que la machine commence à se déplacer, contrôlez la position de l'aiguille de l'appareil de mesure de la pression de brosse. Utilisez les (2) boutons d'ajustement de pression pour régler la pression de brosse. N'utilisez jamais la machine quand l'aiguille se trouve dans la zone rouge (Figure 18).



FIG. 18

ATTENTION: Pour éviter d'endommager le sol ou de surcharger le moteur de la brosse, n'utilisez pas la machine quand l'aiguille indiquant la pression des brosses se trouve dans la zone rouge.

9. Pour utiliser la machine en marche arrière, tirez le bouton de marche arrière vers l'arrière (vitesse unique) (Figure 19).



FIG. 19

10. Pour arrêter la machine, relâchez les poignées de commande.

UTILISATION DU SYSTEME DE BROSSAGE FaST (en option)

Comment fonctionne le système FaST (Foam Scrubbing Technology = technologie de brosse en milieu moussant). L'agent concentré FaST PAK est injecté dans le système avec un mélange composé d'une petite quantité d'eau et d'air comprimé. Ce mélange crée un grand volume de mousse humide expansée. Le mélange de mousse expansée est ensuite dispersé sur le sol, tandis que les deux disques de brosse se mettent en marche. Quand le racloir récupère le mélange, l'agent moussant breveté cesse d'être actif et est récupéré dans le réservoir de récupération. L'utilisation du système FaST peut augmenter votre productivité de 30%, en réduisant vos cycles de vidage/remplissage. Elle permet également de réduire l'utilisation de produits chimiques ainsi que l'espace de stockage. Un FaST PAK d'agent concentré permet un brossement d'environ 90,000 m² (1,000,000 ft²).

1. Assurez-vous que le carton de concentré nettoyant pour sols FaST PAK 365 est correctement installé (Voir INSTALLATION DE L'AGENT FaST PAK).
2. Assurez-vous que le réservoir de solution est rempli uniquement d'eau claire froide. N'ajoutez PAS d'agents nettoyants conventionnels dans le réservoir de solution. La présence d'agents nettoyants/régénérateurs conventionnels dans le réservoir de solution provoquera la panne prématurée du système FaST.
3. Placez le bouton de brossement FaST/conventionnel en position de mode de brossement FaST (Figure 20).

REMARQUE: Pour broser à l'eau claire seulement, il vous suffit de placer le bouton de brossement FaST/conventionnel en position de mode de brossement conventionnel. Ceci vous permet d'utiliser la machine dans une application de rinçage.



FIG. 20

4. Assurez-vous que le bouton de solution principal est en position ON.

FONCTIONNEMENT

REMARQUE: Le débit d'eau s'écoulant du réservoir de solution est régulé automatiquement par l'activation du système FaST. Pendant le brossage en mode de brossage FaST, le débit de solution ne peut pas être ajusté par l'intermédiaire du bouton de réglage de la commande de solution.

5. Suivez les instructions standard de la section FONCTIONNEMENT DE LA MACHINE pour débiter le brossage.

Informations générales: Les options FaST et ES ne peuvent pas être installées sur la même machine.

PENDANT LE FONCTIONNEMENT DE LA MACHINE

POUR VOTRE SECURITE: Lors de l'utilisation de la machine, roulez lentement sur les pentes et sur les surfaces glissantes.

⚠ MISE EN GARDE: danger d'incendie ou d'explosion. Ne ramassez pas de matériaux inflammables ou de métaux réactifs.

1. Observez la quantité de solution diffusée sur le sol. Pour augmenter ou diminuer la circulation d'eau, ajustez le bouton de commande de solution (Figure 21).

REMARQUE: Lorsque vous brossez avec l'option FaST, le bouton de distribution de solution est inactif.



FIG. 21

2. Vérifiez périodiquement la formation de mousse dans le réservoir de récupération (en regardant par le couvercle transparent). En cas de début de formation importante de mousse, versez un désémulsifiant recommandé dans le réservoir de récupération.

ATTENTION: Veillez à ne pas laisser pénétrer de mousse ou d'eau dans le filtre d'arrêt à flotteur, afin d'éviter l'endommagement du moteur de l'extracteur. La mousse n'active pas le filtre d'arrêt à flotteur.

3. Réduisez toujours la vitesse pour nettoyer le long de murs ou d'obstacles.
4. Réduisez toujours la vitesse dans les virages afin de garder le contrôle de la machine.
5. Si le racloir laisse des traînées, relevez le racloir et essuyez les lames avec un chiffon. Balayez au préalable la zone pour éviter la formation de traînées.
6. Laissez les traces de nettoyage se chevaucher de 5 cm.
7. Remplacez ou retournez les patins quand ils sont sales.
8. Evitez les obstacles au sol tels que plaques de boîtes électriques ou grilles car ils détruisent les patins.
9. Pendant les arrêts de courte durée, il n'est pas nécessaire de désactiver les boutons; les brosses et le système de distribution de la solution s'arrêtent automatiquement quand les poignées de commande sont relâchées.
10. Contrôlez périodiquement le niveau de charge des batteries. Quand l'aiguille passe dans la zone rouge, rechargez les batteries.

ATTENTION: Ne continuez pas à utiliser la machine quand l'aiguille indiquant le niveau de charge des batteries se trouve dans la zone rouge, afin d'éviter d'endommager les batteries.

11. Pendant le nettoyage, observez les graduations du tube transparent pour contrôler la quantité de solution restante. Chaque graduation du tuyau correspond à 19 litres.
12. Quand le réservoir de solution est vide, tournez le bouton de brossage en position Off et continuez à aspirer jusqu'à ce que toute l'eau sale soit épuisée. Ensuite, vidangez le réservoir de récupération. (Voir VIDANGE DES RESERVOIRS)

ARRET DE LA MACHINE

1. Coupez le commutateur de la brosse, relevez la brosses et continuez à aspirer jusqu'à ce que toute l'eau sale soit évacuée.
2. Relâchez les poignées de commande.
3. Relevez le racloir et la tête de brossage.
4. Coupez tous les commutateurs.

POUR VOTRE SECURITÉ : Avant de quitter ou d'entretenir la machine, arrêtez-la sur une surface horizontale, coupez le contact.

ARRÊT D'URGENCE (OPTION)

Frappez sur le bouton d'arrêt d'urgence, situé sur le tableau de bord, pour arrêter la machine en cas d'urgence. Tournez le bouton dans le sens des aiguilles d'une montre pour le réenclencher (Figure 22).

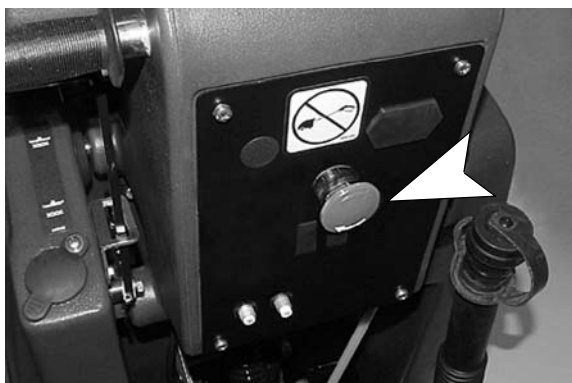


FIG. 22

COUPE-CIRCUIT

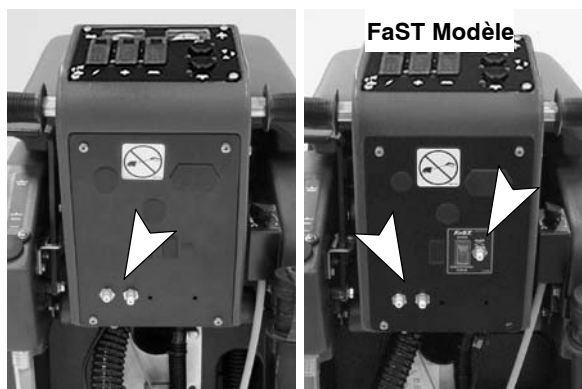
La machine est équipée de (4) coupe-circuit, afin de la protéger contre les dommages éventuels.

Si les coupe-circuit se déclenchent, il n'est pas possible de les réenclencher immédiatement. Déterminez la cause du désenclenchement des coupe-circuit, laissez le moteur refroidir et réenclenchez les coupe-circuit.

Les coupe-circuit des moteurs des brosses se déclenchent en cas de surcharge du patin. Réduisez la pression du patin ou remplacez le patin si le coupe-circuit se déclenche. Les coupe-circuit des moteurs des brosses se trouvent près de la prise du chargeur.

Le coupe-circuit principal et le coupe-circuit de l'extracteur/du système d'entraînement se trouvent à l'arrière de la machine. Les coupe-circuit du moteur de brosse sont situés près de la prise de mise en charge (Figure 23).

- Coupe-circuit principal 10 A
- Coupe-circuit du moteur de propulsion/extracteur 35A
- Coupe-circuit du moteur de brosse 30A (2)
- Système FaST 10 A (option)



Coupe-circuit du moteur de brosse

FIG. 23

VIDANGE DES RESERVOIRS

POUR VOTRE SECURITE: Avant de quitter ou d'entretenir la machine, arrêtez-la sur une surface horizontale, coupez le contact et engagez le frein parking.

VIDANGE DU RESERVOIR DE RECUPERATION

Le réservoir de récupération doit être vidangé et nettoyé une fois le brossage terminé ou quand vous remplissez le réservoir de solution.

ATTENTION: Si le réservoir de récupération n'est pas vidangé avant le remplissage, de la mousse ou de l'eau risquent de pénétrer dans le filtre d'arrêt à flotteur et d'endommager le moteur de l'extracteur.

1. Enlevez le tuyau de vidange de son support, amenez le tuyau au-dessus d'un trou de vidange au sol et retirez le bouchon du tuyau de vidange. Pour vidanger complètement le réservoir de récupération, faites pivoter sur le côté le réservoir et faites basculer le support du réservoir pour y déposer le réservoir (Figure 24).

REMARQUE: Si vous utilisez un seau pour vidanger la machine, n'employez pas le même seau pour remplir le réservoir de solution. Ce, afin d'éviter tout risque d'obstruction des conduites du système de distribution de la solution.



FIG. 24

2. Rincez le réservoir de récupération après chaque emploi. Utilisez un tuyau pour rincer le réservoir. Veillez à ne pas asperger d'eau dans le filtre d'arrêt à flotteur.
3. Après la vidange, replacez fermement l'embout du tuyau de vidange.

VIDANGE DU RESERVOIR DE SOLUTION

Pour vidanger la solution nettoyante restante du réservoir de solution, procédez de la manière suivante:

1. Retirez le tuyau transparent de la pointe réceptrice qui se trouve à l'arrière de la machine et vidangez la solution dans un trou de vidange au sol ou dans un seau (Figure 25).

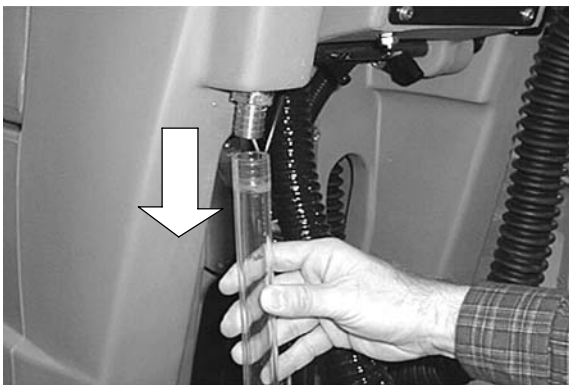


FIG. 25

2. Rincez le réservoir de solution et le système de distribution de la solution à l'eau claire après chaque emploi. Ceci évite tout risque d'obstruction due à la formation de dépôts chimiques.
3. Remettez le tuyau transparent sur la pointe réceptrice. Vérifiez que le tuyau est bien enfoncé dans la pointe réceptrice du tuyau.

CHARGE DES BATTERIES

ATTENTION : pour prolonger la durée de vie des batteries et obtenir des performances optimales, rechargez les batteries **UNIQUEMENT** après une durée d'utilisation totale de 30 minutes ou plus. Ne laissez jamais les batteries se décharger sur de longues périodes.

Les instructions de mise en charge ci-dessous sont destinées uniquement aux chargeurs de batteries fournis avec la machine. Utilisez uniquement un chargeur de batterie ayant les caractéristiques ci-dessous, afin d'éviter l'endommagement des batteries.

SPÉCIFICATIONS DU CHARGEUR DE BATTERIS:

- TYPE DE CHARGEUR :
 - POUR DES BATTERIES PLOMB-ACIDE
- TENSION DE SORTIE - 24 VOLTS
- COURANT DE SORTIE - 15 AMPÈRES
- CIRCUIT DE COUPURE AUTOMATIQUE
- POUR LA MISE EN CHARGE DE BATTERIES A CYCLE INTENSIF

1. Transportez la machine dans un endroit bien aéré pour recharger les batteries.

⚠ MISE EN GARDE : danger d'incendie ou d'explosion. Les batteries émettent du gaz hydrogène. Evitez toute étincelle et toute flamme nue à proximité des batteries. Laissez ouvert le compartiment des batteries pendant la mise en charge.

2. Avant de mettre en charge les batteries, vérifiez le niveau d'électrolyte dans chaque élément de batterie (Figure 26).



FIG. 26

POUR VOTRE SECURITÉ: lorsque vous entretenez la machine, portez des gants et des lunettes de protection quand vous maniez les batteries et les câbles de batterie. Evitez tout contact avec l'acide des batteries.

Le niveau d'électrolyte (A) doit légèrement recouvrir les plaques de batteries (B). Ajoutez de l'eau distillée si nécessaire. **NE REMPLISSEZ PAS TROP**, le fluide va augmenter de volume et risque de déborder lors de la mise en charge. Remettez les bouchons sur les éléments, avant la mise en charge (Figure 27).

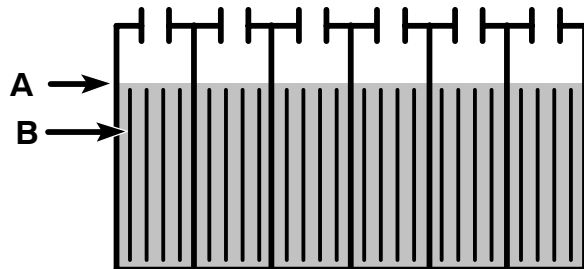


FIG. 27

3. Branchez le cordon d'alimentation CA du chargeur sur une prise mise à la terre correctement (Figure 28).

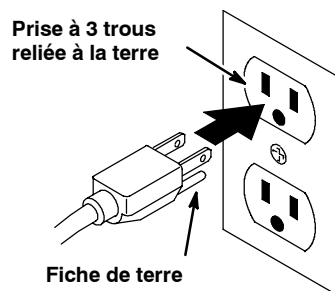


FIG. 28

4. Branchez le cordon de courant continu du chargeur sur la prise de batterie située à l'arrière de la machine (Figure 29).

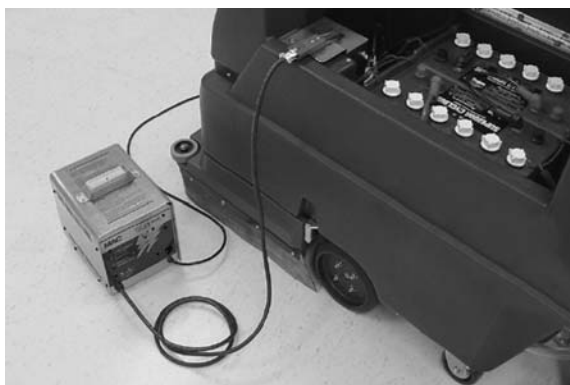


FIG. 29

5. Le chargeur commence automatiquement à charger et se coupe lorsque les batteries sont complètement chargées.
6. Posez le réservoir de récupération sur la béquille de support, afin de faciliter la ventilation durant la mise en charge (Figure 30).



FIG. 30

ATTENTION: ne débranchez pas le cordon d'alimentation en courant continu de la prise de la machine lorsque le chargeur est en fonctionnement. Ceci peut provoquer des étincelles. Si le chargeur doit être arrêté durant la mise en charge, débranchez d'abord le cordon d'alimentation en courant alternatif.

⚠ MISE EN GARDE: danger d'incendie ou d'explosion. Les batteries émettent du gaz hydrogène. Evitez toute étincelle et toute flamme nue à proximité des batteries. Laissez ouvert le compartiment des batteries pendant la mise en charge.

7. Batteries plomb-acide : après le chargement, vérifiez le niveau d'électrolyte (A) des batteries. Le niveau doit se trouver environ à .375 in / 1 cm du bord inférieur de l'orifice de remplissage (B) (Figure 31). Ajoutez de l'eau distillée si nécessaire. **NE REMPLISSEZ PAS TROP.**

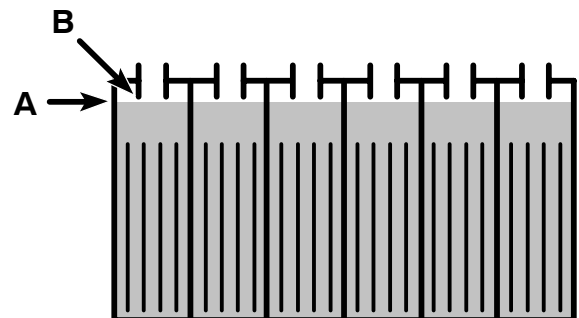


FIG. 31

ENTRETIEN DE LA MACHINE

Pour garder la machine en bon état de marche, suivez les procédures d'entretien quotidiennes, hebdomadaires et mensuelles.

⚠ MISE EN GARDE: danger électrique. Débranchez les câbles de la batterie avant l'entretien ou la réparation de la machine.

ENTRETIEN QUOTIDIEN (À la suite Tout Utilité)

1. Enlevez et nettoyez les patins ou les brosses. Ne nettoyez jamais avec des patins sales. Remplacez les patins quand ils sont usés ou chargés de résidus.
2. Retirez et nettoyez le ruban du filtre du flotteur situé dans le réservoir de récupération (Figure 32).



FIG. 32

3. Vidangez et rincez les réservoirs soigneusement. Après avoir vidangé les réservoirs, faites pivoter le réservoir de récupération jusqu'à ce que vous voyiez l'orifice d'admission de l'extracteur à l'arrière du réservoir. Enlevez tous les débris obstruant l'orifice si nécessaire.
4. Modèle FaST uniquement : lorsque le carton FaST-PAK n'est pas installé sur la machine, veillez à ce que le tuyau d'alimentation soit branché sur le bouchon de stockage du tuyau. Ceci permet d'éviter que le système de solution FaST sèche et obstrue le tuyau d'alimentation (Figure). Si du concentré séché est visible sur le raccord du tuyau d'alimentation ou sur le raccord FaST PAK, trempez-les dans l'eau chaude pour éliminer la solution.



FIG. 33

5. Relevez le racloir et essuyez-le avec un chiffon sec. Rangez le racloir en position relevée pour éviter de l'endommager.
6. Nettoyez la carrosserie de la machine avec un produit non-abrasif et non-solvant. (Figure 34).

POUR VOTRE SECURITÉ: lorsque vous nettoyez la machine, n'utilisez pas de jet de pression sur la machine. Un dysfonctionnement électrique risque de se produire.



FIG. 34

7. Rechargez les batteries après un total de 30 minutes de service ou plus (Voir CHARGE DES BATTERIES).

ENTRETIEN MENSUEL (Toutes les 80 heures de service)

1. Contrôlez le niveau d'électrolyte des éléments des batteries. (Voir ENTRETIEN DES BATTERIES).
2. Nettoyez la partie supérieure des batteries pour éviter la corrosion. (Voir ENTRETIEN DES BATTERIES).
3. Vérifiez si les câbles des batteries ne sont pas détachés ou corrodés.
4. Enlevez le filtre en ligne et rincez-le. Avant de retirer le filtre, assurez-vous que le réservoir de solution est vide. Le filtre se trouve sous la machine à l'arrière (Figure 35).

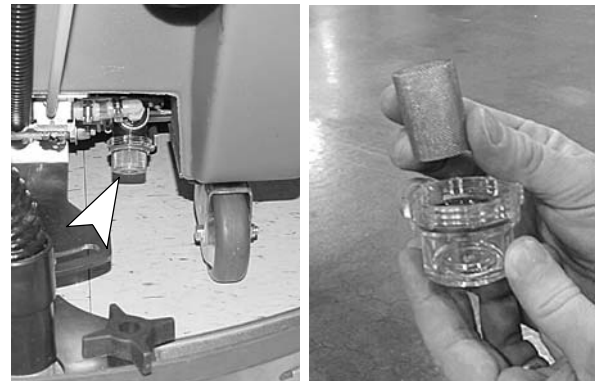


FIG. 35

5. Lubrifiez les graisseurs des roulettes avec une graisse imperméable.
6. Lubrifiez toutes les articulations de la tringlerie avec du silicone sous forme de spray; puis, appliquez-y une graisse imperméable pour assurer un fonctionnement régulier.
7. Vérifiez la présence éventuelle de fuites d'eau et le serrage des écrous et des boulons.

ENTRETIEN TRIMESTRIEL

(Toutes les 250 heures de service)

Vérifiez l'usure des balais au carbone des moteurs du système d'entraînement, de l'extracteur et des brosses et remplacez les balais s'ils mesurent 0.38 in / 1 cm ou moins.

Contactez un service de réparation agréé pour les réparations de la machine.

POUR VOTRE SECURITÉ : Lors du dépannage de la machine, toutes les réparations doivent être effectuées uniquement par un technicien qualifié.

⚠ MISE EN GARDE: danger électrique. Débranchez les câbles de la batterie avant l'entretien ou la réparation de la machine.

REPLACEMENT DES LAMES DE RALCOIR

Le racloir possède deux lames. La lame arrière de racloir possède quatre bords de nettoyage, la lame avant possède deux bords de nettoyage. Lorsque les lames deviennent usées, faites pivoter simplement les lames pour exposer un nouveau bord de nettoyage. Remplacez la lame lorsque tous les bords sont usés.

Rotation ou remplacement de la lame arrière:

1. Retirez de la machine le bloc de racloir.
2. Détachez l'agrafe de la bande et retirez la bande du bloc de racloir (Figure 36).

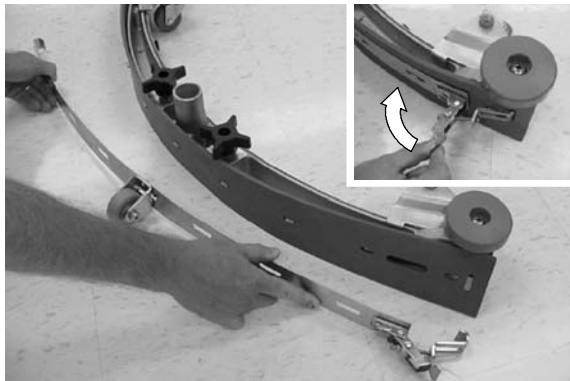


FIG. 36

3. Faites pivoter la lame arrière pour obtenir un nouveau bord nettoyant et réinstallez la bande (Figure 37).

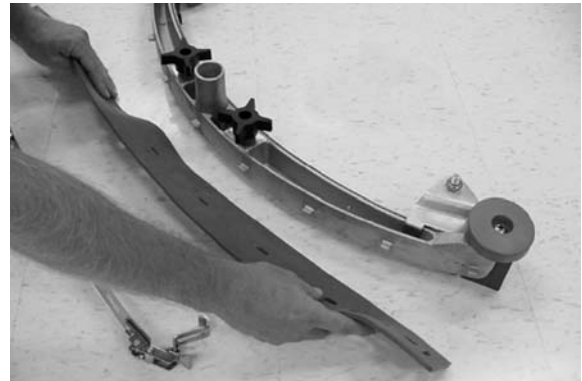


FIG. 37

Rotation ou remplacement de la lame avant

1. Retirez de la machine le bloc de racloir.
2. Retirez les six vis à oreilles maintenant le système de retenue et la lame de racloir sur le châssis du racloir. Faites pivoter bout à bout la lame de racloir afin de placer un nouveau bord sur l'avant de la machine. Assurez-vous que le bord cranté de la lame se trouve vers le bas (Figure 38).

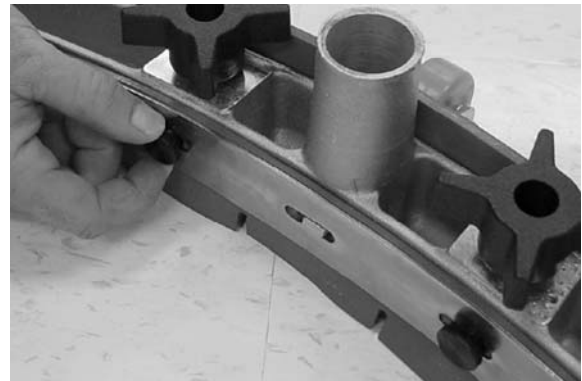


FIG. 38

RÉGLAGE DES LAMES DE RALCOIR

Pour une performance optimale des lames de racloir, les roulettes du bloc de racloir doivent être réglées à une hauteur spécifique, comme décrit ci-dessous.

1. Pour vérifier le bon réglage du bloc de racloir, retirez le bloc de racloir de la machine et placez-le sur une surface égale. Mesurez la distance entre la roulette et la surface. Cette distance doit être environ 1/16" / 2 mm (Figure 39).

FONCTIONNEMENT

2. Pour régler la hauteur de roulette, desserrez l'écrou supérieur et retirez le carter en plastique du roulement pour accéder à l'écrou de réglage. Tournez l'écrou de réglage jusqu'à ce que vous obteniez le bon réglage (Figure 39). Après le réglage, resserrez l'écrou supérieur et remplacez le carter en plastique du roulement. Répétez l'opération pour l'autre roulette.

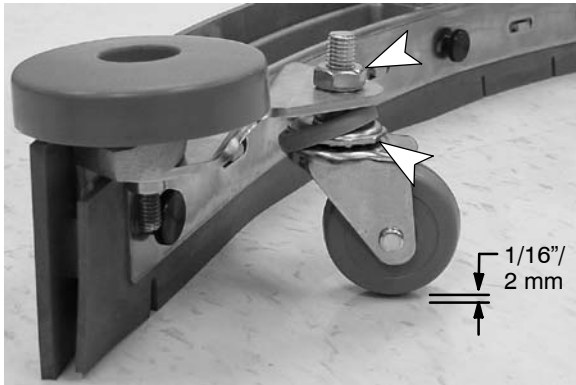


FIG. 39

3. Durant le fonctionnement de la machine avec les roulettes réglées correctement, les lames de racler doivent avoir une déflexion comme illustré (Figure 40).

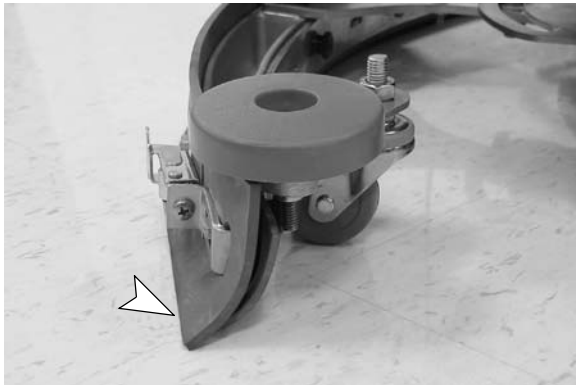


FIG. 40

ENTRETIEN DES BATTERIES

⚠ MISE EN GARDE: danger d'incendie ou d'explosion. Les batteries émettent du gaz hydrogène. Évitez toute étincelle et toute flamme nue à proximité des batteries. Laissez ouvert le compartiment des batteries pendant la mise en charge.

POUR VOTRE SECURITÉ: lorsque vous entretenez la machine, portez des gants et des lunettes de protection quand vous maniez les batteries et les câbles de batterie. Évitez tout contact avec l'acide des batteries.

1. Vérifiez la densité spécifique à l'aide d'un hydromètre, pour déterminer le niveau de charge et l'état des batteries (Figure 41). Si un ou plusieurs des éléments des batteries est (sont) plus faible(s) que les autres éléments des batteries (de 0,050 ou plus), cela signifie que l'élément (les éléments) est (sont) endommagé(s), que sa (leur) capacité est réduite ou qu'il(s) va (vont) bientôt tomber en panne. Comparez les mesures hydrométriques avec le tableau suivant pour déterminer le niveau de charge.

REMARQUE: n'effectuez pas de mesures juste après avoir ajouté de l'eau distillée. Si l'eau et l'acide ne sont pas bien mélangés, il se peut que les mesures ne soient pas exactes.

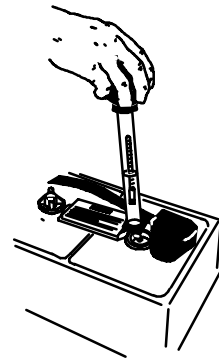


FIG. 41

DENSITÉ SPÉCIFIQUE à 27°C (80°F)	CHARGE DE BATTERIE
1.265	Chargée à 100%
1.223	Chargée à 75%
1.185	Chargée à 50%
1.148	Chargée à 25%
1.110	Déchargée

REMARQUE: si les lectures sont effectuées quand la température de l'électrolyte est autre que 80°F / 27°C, la lecture doit être corrigée par rapport au niveau de température. Ajoutez ou soustrayez 0,004 (4 points) à la lecture de densité spécifique, pour chaque 43°F / 6°C au-dessus ou au-dessous de 80°F / 27°C.

2. Suivez toujours attentivement les instructions de chargement (Voir CHARGEMENT DES BATTERIES).
3. Après la mise en charge des batteries, vérifiez le niveau d'électrolyte (A) **dans chaque élément de batterie**. Le niveau doit se trouver environ à 1 cm (3/8 in) du bord inférieur de l'orifice de remplissage (B). Ajoutez de l'eau distillée si nécessaire (Figure 42). **NE REMPLISSEZ PAS TROP.**

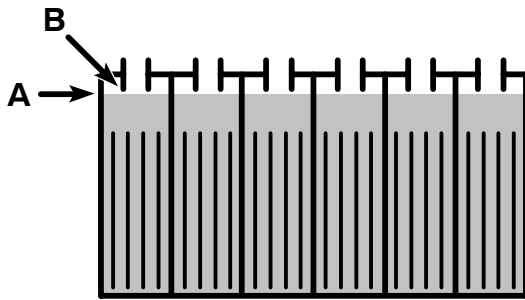


FIG. 42

- Nettoyez la partie supérieure des batteries pour prévenir la corrosion des batteries.

Pour nettoyer les batteries:

POUR VOTRE SECURITÉ: lorsque vous entretenez la machine, portez des gants et des lunettes de protection quand vous maniez les batteries et les câbles de batterie. Évitez tout contact avec l'acide des batteries.

- Préparez une solution concentrée de bicarbonate de soude (Figure 43).



FIG. 43

- Brossez les surfaces supérieures et les cosses de câbles des batteries en utilisant la solution avec modération.

REMARQUE: veillez à ce que la solution de bicarbonate de soude ne pénètre pas dans les éléments des batteries.

- Utilisez une brosse métallique pour nettoyer les bornes et les cosses de câbles.
 - Une fois le nettoyage terminé, appliquez une couche de produit de protection pour batteries sur les bornes et les cosses de câbles.
- Vérifiez si les câbles ne sont pas débranchés ou usés. Remplacez-les s'ils sont usés.

TRANSPORT DE LA MACHINE

Lorsque vous transportez la machine à l'aide d'une remorque ou d'un camion, veuillez suivre les instructions suivantes pour attacher la machine.

POUR VOTRE SECURITE: Lors de l'utilisation de la machine, roulez lentement sur les pentes et sur les surfaces glissantes.

- Enlevez le racloir de la machine et relevez la tête de nettoyage. Laissez le patin ou la brosse monté(e).
- Chargez la machine à l'aide d'une rampe de chargement recommandée.
- Mettez l'avant de la machine contre l'avant de la remorque ou du camion. Une fois la machine à sa place, abaissez la tête de nettoyage.
- Engagez le frein de parcage et mettez un bloc derrière la roue motrice et les roulettes arrière.
- Mettez des sangles par-dessus la machine et fixez-les au plancher. Il se peut qu'il soit nécessaire d'installer des brides d'attache au plancher de votre remorque ou camion.

ENTREPOSAGE DE LA MACHINE

- Chargez les batteries avant l'entreposage. N'entreposez jamais la machine avec des batteries déchargées.
- Avant d'entreposer la machine, veillez à rincer les réservoirs et à vider toute l'eau de la machine.
- Entreposez la machine à l'abri de l'humidité en veillant à enlever le racloir et à relever la tête de nettoyage.
- Lorsque vous entreposez la machine, soulevez la tête de brosse et le racloir afin d'éviter des dommages.

ATTENTION: Si vous entreposez la machine à des températures inférieures à 0°C, assurez-vous que toute l'eau de la machine est vidangée. Les dommages occasionnés par le gel ne sont pas couverts par la garantie.

ATTENTION: N'exposez pas la machine à la pluie ; entreposez-la à l'intérieur.

PIECES DE STOCK RECOMMANDEES

Reportez-vous à la section Liste des pièces pour les pièces de stock recommandées. Les pièces de stock sont identifiées clairement à l'aide d'un point précédant la description des pièces. Voir exemple ci-dessous:

Ref.	Part No.	Description	Qty.
1	701103	•ASM.,STANDPIPE	1
2	180613	•FLOAT, SHUTOFF	1
3	230197	NIPPLE	1
4	101714	•GASKET	1
5	210240	NUT, FLANGED	1

FONCTIONNEMENT

DEPISTAGE DES PANNES

PROBLEME	CAUSE	REMEDE
Pas de tension, rien ne fonctionne.	Interrupteur principal ou contact défectueux.	Contactez le service de dépannage.
	Batteries doivent être chargées.	Voyez CHARGE DES BATTERIES.
	Batterie(s) défectueuse(s).	Remplacez batterie(s).
	Câble de batterie détaché.	Rebranchez câble.
	Coupe-circuit PRINCIPAL s'est déclenché.	Déterminez la cause et réenclenchez le bouton du coupe-circuit.
Les moteurs des brosses ne fonctionnent pas.	Bouton des brosses.	Activez le bouton des brosses.
	Poignées de commande ne sont pas actionnées.	Actionnez les poignées de commande.
	Coupe-circuit de brosse déclenché(s).	Nettoyez ou remplacez le patin et réenclenchez le bouton du coupe-circuit de brosse.
	Moteur ou câblage de brosse défectueux.	Contactez le service de dépannage.
	Balais au carbone usés.	Contactez le service de dépannage.
	Bouton des brosses ou solénoïde défectueux.	Contactez le service de dépannage.
Le moteur de l'extracteur ne fonctionne pas.	Bouton de l'extracteur défectueux.	Contactez le service de dépannage.
	Coupe-circuit de l'extracteur déclenché.	Enlevez les débris causant l'obstruction et réenclenchez le coupe-circuit.
	Moteur ou câble de l'extracteur défectueux.	Contactez le service de dépannage.
	Balais au carbone usés.	Contactez le service de dépannage.
Le moteur du système d'entraînement ne fonctionne pas.	Coupe-circuit du moteur du système d'entraînement déclenché.	Déterminez la cause et réenclenchez le coupe-circuit.
	Connexion ou panneau du circuit de commande de la vitesse défectueux.	Contactez le service de dépannage.
	Solénoïde défectueux.	Contactez le service de dépannage.
	Moteur du système d'entraînement défectueux.	Contactez le service de dépannage.
	Câblage défectueux.	Contactez le service de dépannage.
	Balais au carbone usés.	Contactez le service de dépannage.
Le moteur du système d'entraînement fonctionne mais pas convenablement.	Potentiomètre ou panneau du circuit de commande de la vitesse défectueux.	Contactez le service de dépannage.
	Fil détaché.	Contactez le service de dépannage.

DEPISTAGE DES PANNES - Suite

PROBLEM	CAUSE	SOLUTION
Débit de solution faible ou nul.	Bouton de réglage du débit de solution doit être réglé.	Tournez le bouton de réglage du débit de solution dans le sens des aiguilles d'une montre pour augmenter le débit.
	Conduite du système de distribution de la solution ou filtre du réservoir de solution est obstrué.	Enlevez le tuyau et soufflez-y de l'air comprimé. Rincez le réservoir de solution après chaque emploi.
	Soupape de distribution de la solution ou solénoïde est obstrué.	Enlevez la soupape ou le solénoïde et nettoyez-la/le. Veillez à ne pas érafler l'intérieur de la soupape.
	Bouton de distribution de la solution ou solénoïde défectueux.	Contactez le service de dépannage.
	Desserrez la vis de solution sur le bouton de solution	Calibrer le bouton et serrez la vis
Brève durée de fonctionnement.	Batteries ne sont pas complètement chargées.	Rechargez les batteries.
	Élément défectueux dans une ou plusieurs batteries.	Remplacez batterie(s).
	Batteries doivent être entretenues.	Voir ENTRETIEN DES BATTERIES.
	Chargeur défectueux.	Remplacez le chargeur de batterie.
Ramassage non satisfaisant de l'eau.	Réservoir de récupération est plein.	Videz le réservoir de récupération.
	Filtre du flotteur à l'intérieur du réservoir de récupération est obstrué.	Enlevez le filtre et nettoyez-le.
	Racloir obstrué.	Nettoyez le racloir.
	Lames de racloir usées.	Remplacez les lames de racloir.
	Vis papillons du racloir sont desserrées.	Resserrez les vis papillons.
	Raccords du tuyau d'aspiration sont détachés ou tuyau est percé.	Enfoncez bien les extrémités du tuyau dans les raccords. Remplacez le tuyau s'il est endommagé.
	Tuyau d'aspiration obstrué.	Enlevez les débris responsables de l'obstruction.
	Trou d'alimentation du réservoir de récupération est obstrué.	Videz le réservoir de récupération et soulevez-le par le côté pour accéder au trou d'alimentation et enlevez les débris responsables de l'obstruction.
	Joint d'étanchéité du réservoir défectueux.	Remplacez le joint.
	Bouchon du tuyau de vidange desserré.	Resserrez le bouchon du tuyau de vidange.
	Couvercle du réservoir de récupération desserré.	Resserrez couvercle.
	Moteur de l'extracteur desserré.	Contactez le service de dépannage.
Niveau de charge des batteries est bas.	Rechargez les batteries. N'utilisez pas la machine quand l'aiguille de l'appareil de mesure de la charge des batteries se trouve dans la zone rouge.	

FONCTIONNEMENT

DEPISTAGE DES PANNES - Suite

PROBLEME	CAUSE	SOLUTION
Les lumières de sûreté ne fonctionnent pas.	Le clignoteur est grillent.	Contactez le service de dépannage.
Le système FaST en option ne fonctionne pas.	Bouton du système de distribution de solution non activé.	Activez le bouton du système de distribution de la solution.
	Le mode de brossage n'est pas sélectionné sur le brossage FaST.	Sélectionnez le mode de brossage FaSTt.
	Coupe-circuit FaST déclenché.	Déterminez la cause et réenclenchez le bouton du coupe-circuit de 10 A.
	Tuyau d'alimentation et/ou raccords du FaST-PAK obstrués.	Trempez les raccords et le tuyau dans l'eau chaude et nettoyez-les.
	Le carton FaST-PAK est vide ou n'est pas raccordé.	Remplacez le carton FaST-PAK et/ou branchez le tuyau d'alimentation.
	Orifice de commande de débit obstrué.	Retirez l'orifice, nettoyez-le et réinstallez-le (reportez-vous à la liste de pièces détachées).
	Bouton de mode de brossage défectueux.	Contactez le service de dépannage.
	Pompe ou compresseur d'air défectueux.	Contactez le service de dépannage.
Filtere du réservoir de solution obstrué.	Vidangez le réservoir de solution. Retirez le filtre du réservoir de solution, nettoyez-le et réinstallez-le.	

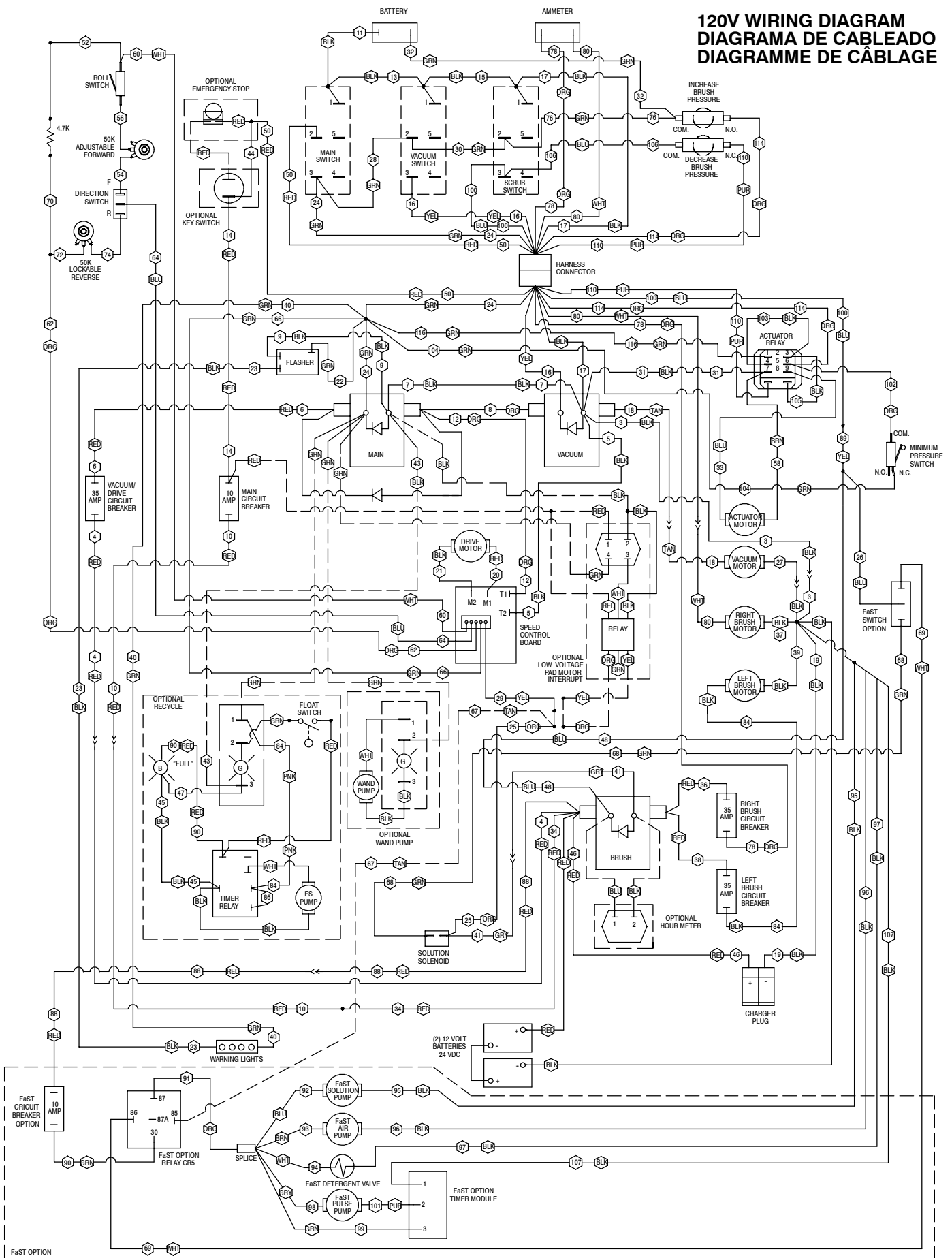
SPECIFICATIONS

MODELE	SPEED SCRUB 2401	SPEED SCRUB 2601
LONGUEUR	50 in / 1270 mm	50 in / 1270 mm
LARGEUR	26 in / 660 mm	28 in / 711 mm
HAUTEUR	39 in / 990 mm	39 in / 990 mm
POIDS	375 lb / 170 kg 600 lb / 272 kg avec batteries	375 lb / 170 kg 600 lb / 272 kg avec batteries
CAPACITE RESERVOIR SOL./REC.	17 gal / 64 L	17 gal / 64 L
COMMANDE DE LA VITESSE	Variable marche avant Unique marche arrière	Variable marche avant Unique marche arrière
VITESSE DE NETTOYAGE (MAX)	24,000 sq ft / 2229.6m ² par heure	26,000 sq ft / 2415.4m ² par heure
LARGEUR DE LA TRACE DE NETTOYAGE	23.123 in / 587 mm	25.13 in / 638 mm
DIAMETRE DU PATIN	2 - 12 in / 305 mm	2 - 13 in / 330 mm
PRESSION DU PATIN	Variable 80-150 lb / 36-68 kg	Variable 80-150 lb / 36-68 kg
LARGEUR DU RACLOIR	33 in / 839 mm	33 in / 839 mm
SYSTEME D'ENTRAINEMENT	Pont arrière, .2 h.p., 24V	Pont arrière, .2 h.p., 24V
MOTEUR DE BROSSE	2 - .75 h.p., 220 rpm, 24V, 20A, 550W	2 - .75 h.p., 220 rpm, 24V, 20A, 550W
MOTEUR DE L'EXTRACTEUR	.75 h.p., 3-étages 5.7, 24V, 21A, 550W	.75 h.p., 3-étages 5.7, 24V, 21A, 550W
HAUTEUR D'ASPIRATION	68 in / 1727 mm	68 in / 1727 mm
BATTERIES	2-12V, 215AH	2-12V, 215AH
DUREE DE FONCTIONNEMENT PAR CHARGE	Jusqu'à 4 3/4 heures	Jusqu'à 4 3/4 heures
NIVEAU SONORE AU NIVEAU DE L'OREILLE DE L'OPERATEUR, A L'INTERIEUR SUR DU CARRELAGE	75 dBA	75 dBA

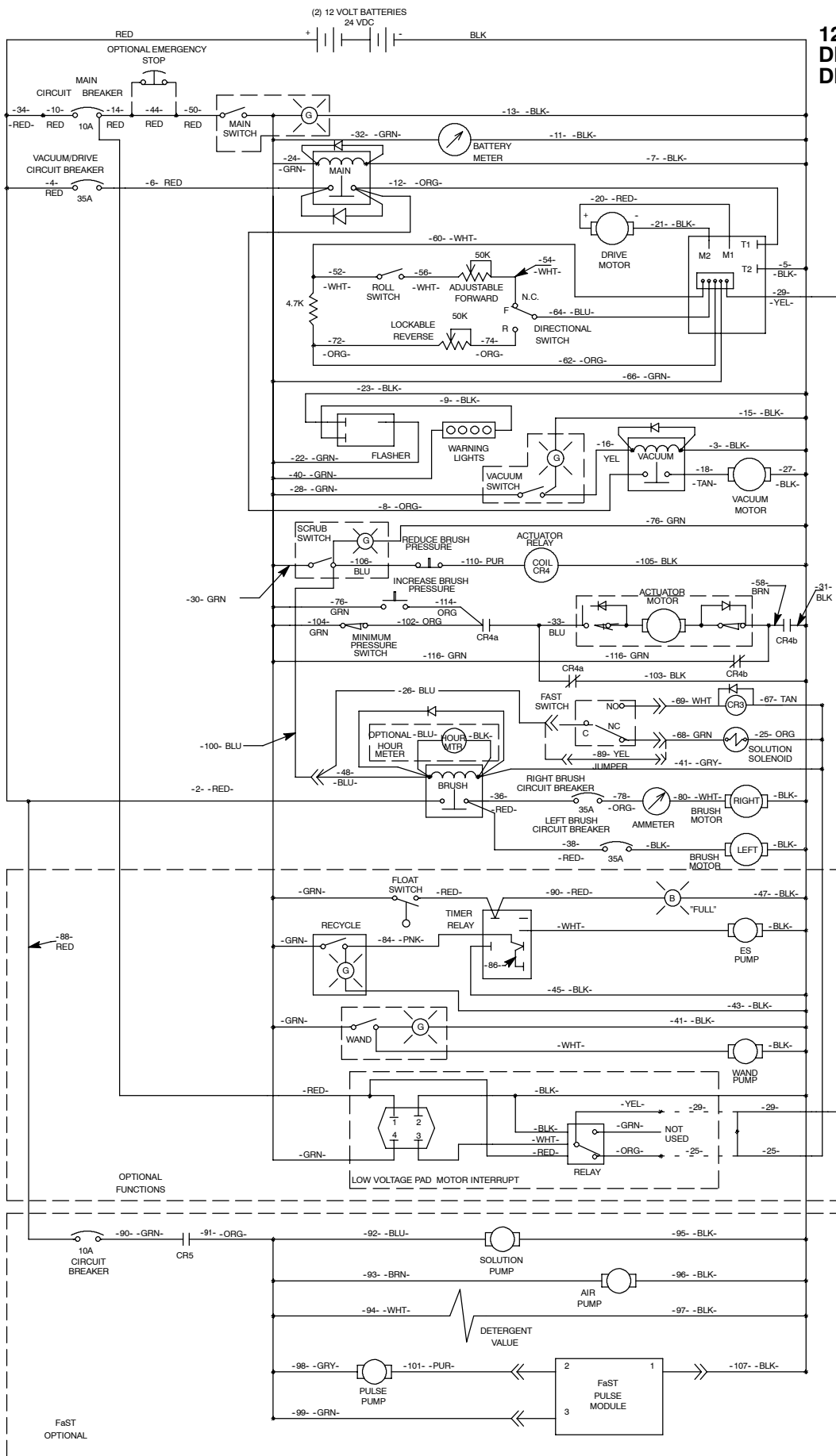
SYSTEME FaST (OPTION)	
POMPE À SOLUTION	24 Volts CC, 3,5 A, circulation ouverte 5,7 l/min, réglage de dérivation 45 psi
DÉBIT DE LA SOLUTION	0,57 l/min
POMPE À DÉTERGENT	24 V, 24 Watts
DÉBIT DU CONCENTRÉ	0,55 CC/minute
TAUX DE DILUTION DU CONCENTRÉ DANS L'EAU	1:1000
COMPRESSEUR D'AIR	24 volts CC, consommation 0,6 A maximum
DÉBIT DU COMPRESSEUR D'AIR	8,7 l/min circulation ouverte

ELECTRICAL DIAGRAMS - DIAGRAMAS ELECTRICAS - SYSTEME ELECTRIQUE

**120V WIRING DIAGRAM
DIAGRAMA DE CABLEADO
DIAGRAMME DE CÂBLAGE**



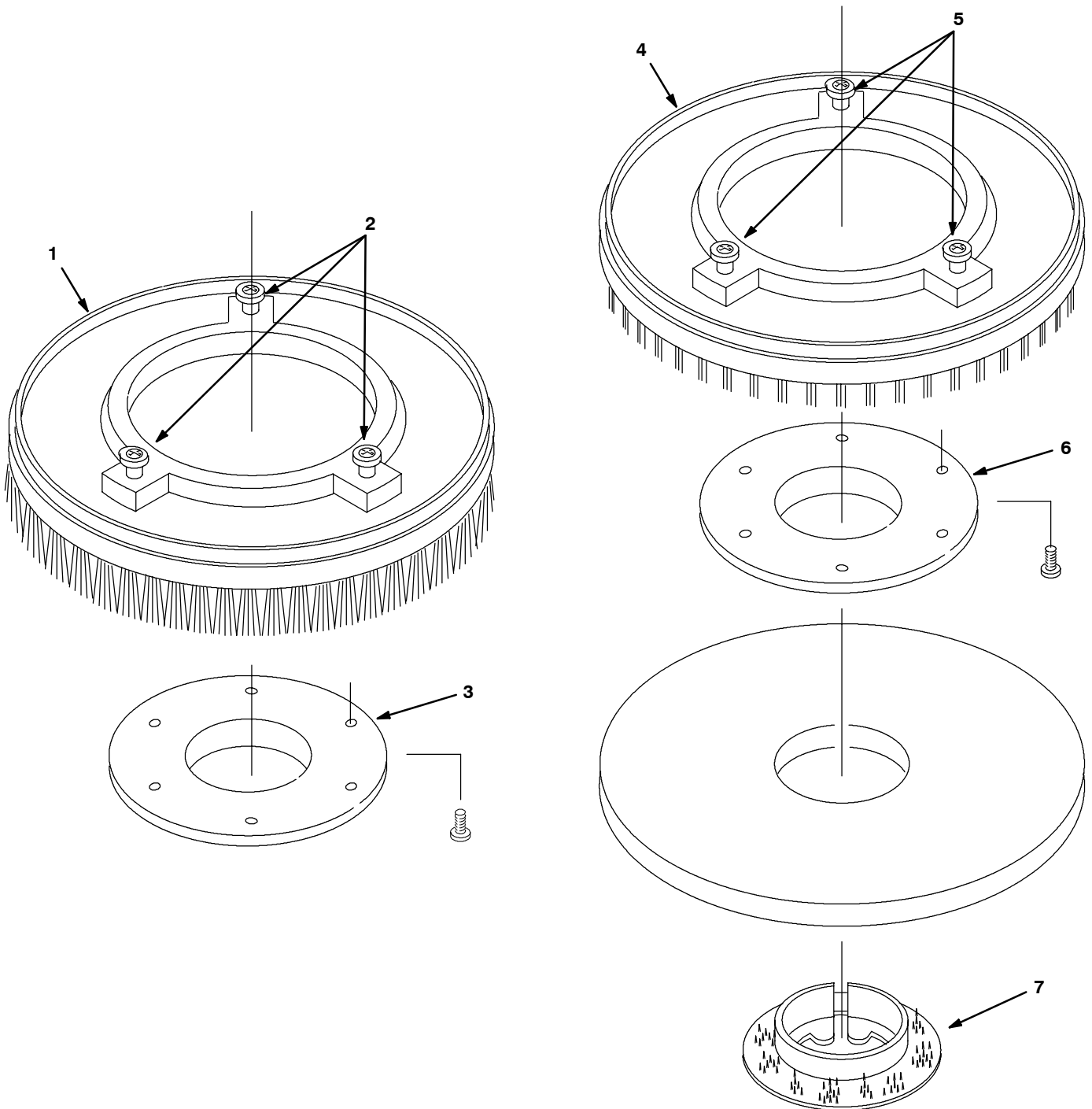
ELECTRICAL DIAGRAMS - DIAGRAMAS ELECTRICAS - SYSTEM ÉLECTRIQUE



120V LADDER DIAGRAM
DIAGRAMA ESCALONADO
DIAGRAMME D'ÉCHELLE

PARTS LIST - LISTA DE PIEZAS - LISTE DES PIÈCES

REPLACEMENT BRUSHES AND PAD DRIVER GROUP / CEPILLO DEL REEMPLAZO Y GRUPO DEL MANDO DE LA ALMOHADILLA / GROUPE REMPLACEMENT DES BROSSES ET DU PIGNON MENANT DE PATIN



PARTS LIST - LISTA DE PIEZAS - LISTE DES PIÈCES

REPLACEMENT BRUSHES AND PAD DRIVER GROUP / CEPILLO DEL REEMPLAZO Y GRUPO DEL MANDO DE LA ALMOHADILLA / GROUPE REMPLACEMENT DES BROSSES ET DU PIGNON MENANT DE PATIN

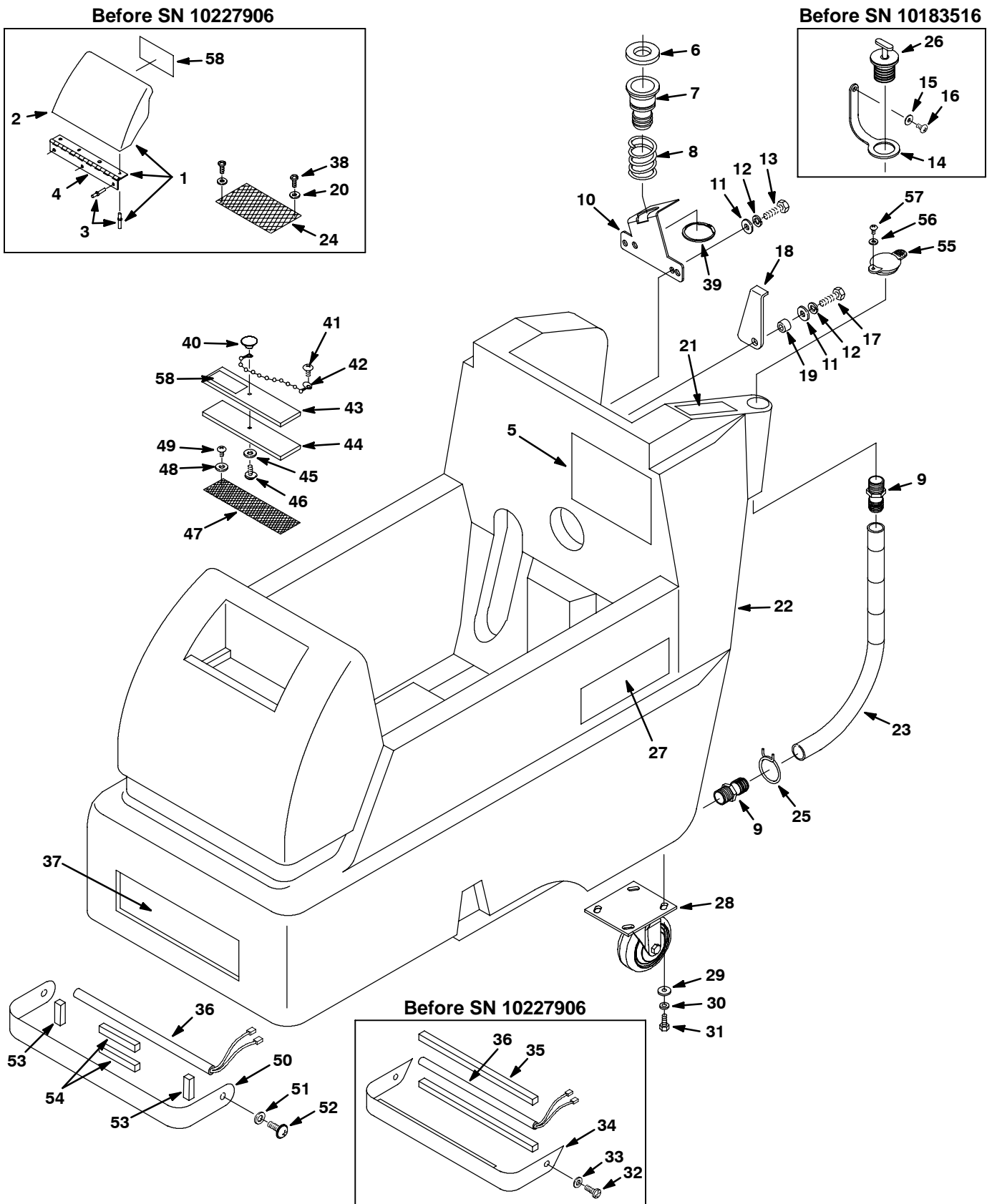
REF	PART #	DESCRIPTION	QTY.
▽ 1	240260	●BRUSH, POLY-SCRUB 2/PK 12 IN / 305 MM	2
	603159	●BRUSH, POLY-SCRUB 2/PK 13 IN / 330 MM	2
	240261	●BRUSH, DYNA-SCRUB 2/PK 12 IN / 305 MM	2
	603160	●BRUSH, DYNA-SCRUB 2/PK 13 IN / 330 MM	2
	240259	●BRUSH, STRATA SCRUB/STRIP 2/PK 12 IN / 305 MM	2
	603161	●BRUSH, STRATA SCRUB/STRIP 2/PK 13 IN / 330 MM	2
▲ 2	240238	●LUGS, W/ SCREWS (SET OF 3)	6
▲ 3	100106	●PLATE, PAD DRIVER BASE	2

REF	PART #	DESCRIPTION	QTY.
▽ 4	240262	●ASM., PAD DRIVER 2/PK 12 IN / 305 MM	2
	602928	●ASM., PAD DRIVER 2/PK 13 IN / 330 MM	2
▲ 5	240238	●LUGS, W/SCREWS (SET OF 3)	6
▲ 6	100106	●PLATE, PAD DRIVER BASE	2
▲ 7	100107	●RING, PAD RETAINER SNAP-IN	2

- ▽ ASSEMBLY / CONJUNTO / ENSEMBLE
- ▲ INCLUDED IN ASSEMBLY / INCLUIDO A CONJUNTA / Y COMPRIS EN ENSEMBLE
- RECOMMENDED STOCK ITEM / PIEZAS RECOMENDADAS EN ALMACÉN / ÉLÉMENTS DE STOCK RECOMMANDÉS

PARTS LIST - LISTA DE PIEZAS - LISTE DES PIÈCES

SOLUTION TANK GROUP / GRUPE DEL DEPÓSITO DE DISOLUCIÓN / ENSEMBLE DU RÉSERVOIR DE SOLUTION



PARTS LIST - LISTA DE PIEZAS - LISTE DES PIÈCES

SOLUTION TANK GROUP / GRUPE DEL DEPÓSITO DE DISOLUCIÓN / ENSEMBLE DU RÉSERVOIR DE SOLUTION

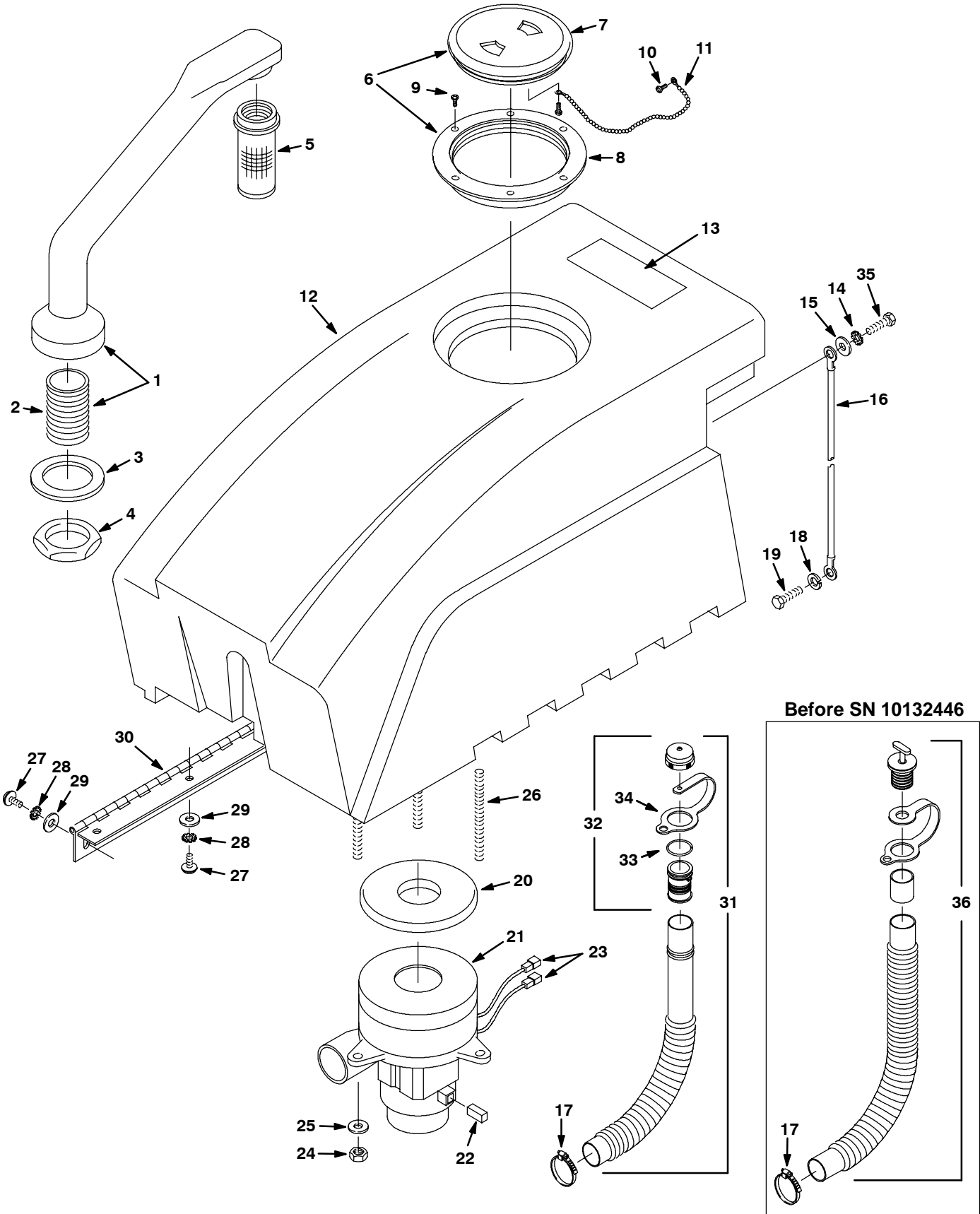
REF	PART #	DESCRIPTION	QTY.
▽ 1	608518	ASM., SOL. TANK COVER GREEN	1
▲ 2	612518	COVER, TANK GREEN	1
▲ 3	140706	RIVET, BLIND, .125D, PL	7
▲ 4	611068	HINGE, .09 PIN .04 1.06W 6.5L	1
5	603233	DECAL, BATTERY RECHARGE	1
6	630010	●GASKET, 70 OD, 43 ID, 12.7 THK	1
7	630011	TUBE, VAC TRANS, FLANGE AND BARB	1
8	630267	SPRING, CMPR, 59.9D 3.0W 50.8L	1
9	150529	FITTING, 3/4M X 3/4H BARB BRS	2
10	608706	BRACKET, VAC TUBE	1
11	140027	WASHER, FLAT, 0.35B 0.75D .04 SS	3
12	140015	WASHER, LOCK, SPLT, 0.31 SS	3
13	16931	SCREW, HEX, M8X1.25X20, 8.8	2
14	600476	●STRAP, PLUG, REAR FILL	1
15	140011	WASHER, 3/16 FLAT	1
16	140350	SCREW, #10X1/2 PANPHL	1
17	16931	SCREW, HEX, M8X1.25X20, 8.8	1
18	230925	SUPPORT, RECOVERY TANK	1
19	611418	SLEEVE, P/M 0.437D, 0.315B, 0.14L	1
20	140032	WASHER, #6 FLAT SS	2
21	600650	LABEL, CE, SQUEEGEE LEVER	1
22	1023712	KIT, TANK, SOLUTION, GREEN (Before SN 10227906)	1
	1023348	TANK, SOLUTION, GREEN	1
23	607983	HOSE, DRAIN W/LEVEL IND.	1
24	602529	●FILTER, SCREEN, SOLUTION FILL	1
25	608915	CLAMP, HOSE, WIRE 1.03-1.09	1
26	621324	●PLUG, EXPANSION	1
27	608450	LABEL, SPEED SCRUB 2401	2
	608449	LABEL, SPEED SCRUB 2601	2
	1005374	LABEL, SPEED SCRUB 2401 FAST	2
	1005334	LABEL, SPEED SCRUB 2601 FAST	2

REF	PART #	DESCRIPTION	QTY.
28	1029695	●CASTER, 4.0D X 1.38W, 400LB CAP	2
29	140027	WASHER, FLAT, 0.35B 0.75D .04 SS	8
30	140015	WASHER, LOCK, SPLT, 0.31 SS	8
31	578237000	SCREW, HEX, M8X1.25X18 SS, 933	8
32	1026454	SCREW, PAN, M5X0.8X10, SS	2
33	07514	WASHER, LOCK, INT #10 SS	2
34	612765	SHIELD, LIGHT	1
35	605324	GASKET, 1/2"X1.34'	2
36	1024583	LIGHT, SAFETY, 12"	1
37	608184	DECAL, NOBLES LOGO	1
38	3701.6	SCREW, PAN, #6-32X0.38, PHL SS	2
39	630016	RING, RETAINING, EXT, 1.82D	1
40	578301	●KNOB, RND	1
41	140826	SCREW, PAN, #6-32X0.75, PHL SS	1
42	621443	●CHAIN, BALL, #10X157L, SS	1
43	605061	●COVER, SOLUTION FILL	1
44	605062	●GASKET, COVER, SOLUTION FILL	1
45	07514	WASHER, LOCK, INT, #10 SS	1
46	578201000	SCREW, PAN, #10-32X0.50, PHL	1
47	606146	●FILTER, SCREEN, SOL-FILL	1
48	140032	WASHER, #6 FLAT SS	2
49	140826	SCREW, PAN, #6-32X0.75, PHL SS	2
50	1020193	SHIELD, LIGHT	1
51	19324	WASHER, FLAT, #10 SAE	2
52	604930	SCREW, TRS, M5X0.8X10, PHL, ZN	2
53	605324	GASKET, CLSD CELL, .5	.125 FT.
54	605324	GASKET, CLSD CELL, .5	.250 FT.
55	1012965	●CAP, PORT, SOLUTION FILL	1
56	01683	WASHER, FLAT, #10 SS	1
57	1018155	SCREW, PAN, M4.8X16 SS TCUT	1
58	613733	LABEL, ATTENTION (FaST MODEL)	1

- ▽ ASSEMBLY / CONJUNTO / ENSEMBLE
- ▲ INCLUDED IN ASSEMBLY / INCLUIDO A CONJUNTA / Y COMPRIS EN ENSEMBLE
- RECOMMENDED STOCK ITEM / PIEZAS RECOMENDADAS EN ALMACÉN / ÉLÉMENTS DE STOCK RECOMMANDÉS

PARTS LIST - LISTA DE PIEZAS - LISTE DES PIÈCES

RECOVERY TANK GROUP / CONJ. DESPOSITO RECUPERAR / GROUPE RESERVOIR DE RECUPERATION



PARTS LIST - LISTA DE PIEZAS - LISTE DES PIÈCES

RECOVERY TANK GROUP / CONJ. DESPOSITO RECUPERAR / GROUPE RESERVOIR DE RECUPERATION

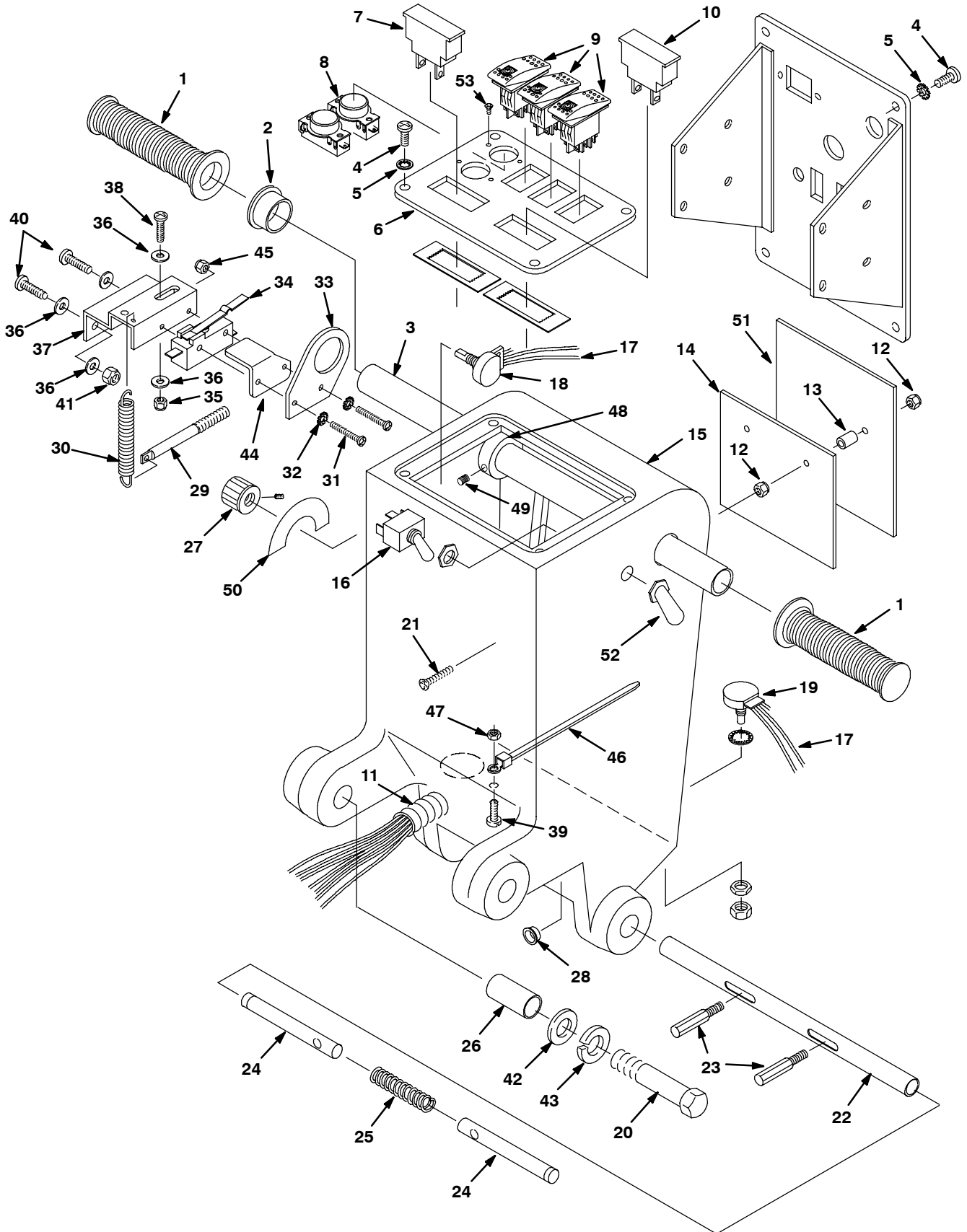
REF	PART #	DESCRIPTION	QTY.
∇ 1	701103	ASM., STANDPIPE	1
▲ 2	606088	FITTING, CPVC, STR, 1-1/2" NIPPLE	1
3	101714	●GASKET, WASTE AIR CHAMBER	1
4	210240	NUT, HEX, FLNG, 1-1/2 FPT METAL	1
5	180613	●FLOAT, SHUT-OFF (1) BALL 2DIA	1
∇ 6	100102	●COVER ASSY CLEAR LID W/STANDARD HOLE	1
▲ 7	100105	●LID, CENTER ONLY CLEAR	1
▲ 8	100109	●LID, OUTER RING	1
9	140826	SCREW, PAN, #6-32X0.75, PHL SS	6
10	3701.6	SCREW, PAN, #6-32X0.38, PHL SS	2
11	230513	CHAIN ASSY, STOPPER, DRAIN	1
∇ 12	613721	ASM., REC TANK W/LABEL GREEN	1
▲ 13	1026386	LABEL, WARNING, (EXPL,FIRE,SHK EN/FR/ES)	1
14	140052	WASHER, LOCK, EXT, 0.25 SS	1
15	140000	WASHER, FLAT, 0.28B .062D .04 SS	1
16	140960	●CABLE, .13D 14.5L .343EYE/.343EYE	1
17	140308	CLAMP, HOSE, WORMDRIVE, 1.31-2.25D, SS	1
18	140015	WASHER, LOCK, SPLT, 0.31 SS	1

REF	PART #	DESCRIPTION	QTY.
19	16931	SCREW, HEX, M8X1.25X20, 8.8	1
20	626092	●GASKET, VAC FAN	1
∇ 21	130477	●FAN, VACUUM, 5.7D, 3S, 24V BPT	1
▲ 22	190163	●BRUSH CRBN, MOTOR, ELE, (1PC=1PACK=2BRSH)	2
23	130096	CONNECTOR ASSY, BLADE, MALE .25 1TRMNL	2
24	08712	NUT, HEX LOCK, M6X1.0 SS NL	3
25	140000	WASHER, FLAT, 0.28B .062D .04 SS	3
26	140353	SCREW, STUD, M6X1.0X108 ZN	3
27	363503	SCREW, PAN, M6X1.0X12 SS	11
28	140052	WASHER, LOCK, EXT, 0.25 SS	11
29	140000	WASHER, FLAT, 0.28B .062D .04 SS	11
30	600311	●HINGE, .25PIN .07 2.0W 26.0L	1
∇ 31	1010143	●HOSE, DRAIN ASSEMBLY, 31.2"	1
▲∇ 32	1008639	●CAP, DRAIN ASSEMBLY	1
▲ 33	1008637	●O RING, 1.48"ID, 1.76"OD	1
▲ 34	1019563	●STRAP, DRAIN CAP	1
35	363503	SCREW, PAN, M6X1.0X12 SS	1
36	N/A	DRAIN HOSE / PLUG ASSEMBLY - REPLACED BY ASSEM. ITEM #31	1

- ∇ ASSEMBLY / CONJUNTO / ENSEMBLE
- ▲ INCLUDED IN ASSEMBLY / INCLUIDO A CONJUNTA / Y COMPRIS EN ENSEMBLE
- RECOMMENDED STOCK ITEM / PIEZAS RECOMENDADAS EN ALMACÉN / ÉLÉMENTS DE STOCK RECOMMANDÉS

PARTS LIST - LISTA DE PIEZAS - LISTE DES PIÈCES

CONTROL CONSOLE GROUP / CONJUNTO CONSOLA DE CONTROLES / GRUPE TABLEAU DE COMMANDE



PARTS LIST - LISTA DE PIEZAS - LISTE DES PIÈCES

CONTROL CONSOLE GROUP / CONJUNTO CONSOLA DE CONTROLES / GROUPE TABLEAU DE COMMANDE

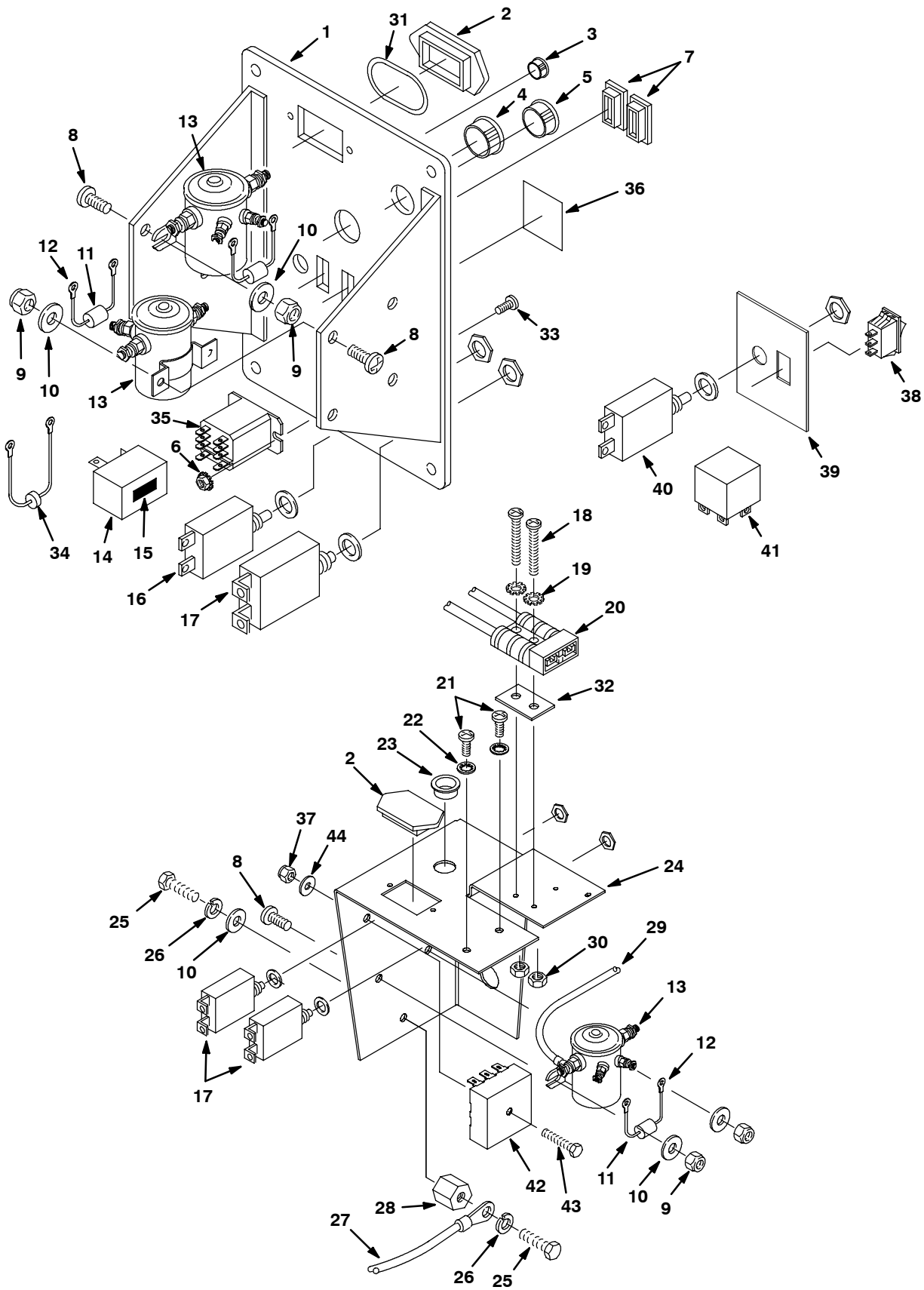
REF	PART #	DESCRIPTION	QTY.
1	200823	●GRIP, HANDLE TUBE	2
2	605351	BUSHING, 7/8 10-BLACK	1
3	604402	TUBE, HANDLE	1
4	1026454	SCREW, PAN, M5X0.8X10, SS	8
5	07514	WASHER, LOCK, INT #10 SS	8
▽	613387	ASSY, PANEL, SWITCH	1
▲ 6	613028	SWITCH PANEL	1
▲ 7	606857	●GAUGE, AMMETER, RT, 5-36A (PRESSURE)	1
▲ 8	1014919	●SWITCH, PUSH BUTTON	2
▲ 9	601107	●SWITCH, ROCKER, 24VDC 15A LIGHTED	3
▲ 10	606020AM	●GAUGE, DISCHARGE, BATTERY, 24VDC	1
▲ 11	613375	HARNESS, WIRE MAIN/SWITCH/ CONSOLE W/FAST	1
12	02850	NUT, HEX LOCK, M4X0.7 NL	4
13	630261	TUBE, 0.31D 0.19B 0.5L ALUM	2
14	630128	HEATSINK, 11GA. ALUM. 104X120	1
15	608299	HOUSING, CONTROL GREEN	1
16	601108AM	●SWITCH, TOGGLE	1
▽ 17	602873	HARNESS CONSOLE W/POT.	1
▲ 18	130776	●POTENTIOMETER, 50K	1
▲ 19	130775	●POTENTIOMETER, 50K LOCKABLE	1
20	140351	SCREW, HEX, M12X1.75X70 ZN	2
21	630304	SCREW, FLT, M4X0.7X35 PHL, ZN	2
22	230715	TUBE, HANDLE ADJUSTMENT	1
23	230649	PIN, HANDLE ADJUSTMENT	2
24	230710	PIN, HANDLE LOCK	2
25	140415	SPRING, LOCK PIN	1

REF	PART #	DESCRIPTION	QTY.
26	140155	BUSHING, .48X.62X2.00	2
27	606550	●KNOB, RND, 0.92D 0.76L 0.25B	1
28	603007	BUSHING, SNAP .25ID BLACK	1
29	602886	PIN, SPRING, HANGER, .31-18X.94 THD, ZN	1
30	605812	SPRING, EXT.	1
31	140829	SCREW, PAN, #06-32X1.00 PHL SS	2
32	140019	WASHER, LOCK, EXT, #06 ZN	2
33	27098	BRACKET, SWITCH	1
34	614003	●SWITCH, SNAP ACTION W/ BUMP	1
35	140552	NUT, HEX LOCK, #10-24 NL SS	1
36	140000	WASHER, FLAT, 0.28B .062D .04 SS	6
37	25671	MOUNT, SWITCH	1
38	140890	SCREW, TRS, #10-24X0.50 PHL SS	1
39	140900	SCREW, TRS, #10-24X0.75 PHL SS	1
40	608322	SCREW, TRS, M6X1.0X16 PHL SS	2
41	08712	NUT, HEX LOCK, M6X1.0 SS NL	2
42	140045	WASHER, FLAT, 0.51B 1.25D .06 SS	2
43	140024	WASHER, LOCK 0.50 SS	2
44	603830	PLATE, SWITCH GUARD	1
45	140540	NUT, #6-32 HEX SS	2
46	630343	CLAMP, CABLE, STL, 0.88D X 0.50W 1H VYL	1
47	140552	NUT, HEX LOCK, #10-24 NL SS	1
48	605094	COLLAR, HANDLE	2
49	140859	SCREW, SET, .25-20X0.25 CUP PT	2
50	606549	LABEL, SPEED CONTROL	1
51	630104	●SPEED CONTROL, PMB 55 AMP	1
52	130753	●BOOT, SWITCH 1.00 LONG BLK	1
53	611226000	SCREW, TRS, #06-32X0.25	4

- ▽ ASSEMBLY / CONJUNTO / ENSEMBLE
- ▲ INCLUDED IN ASSEMBLY / INCLUIDO A CONJUNTA / Y COMPRIS EN ENSEMBLE
- RECOMMENDED STOCK ITEM / PIEZAS RECOMENDADAS EN ALMACÉN / ÉLÉMENTS DE STOCK RECOMMANDÉS

PARTS LIST - LISTA DE PIEZAS - LISTE DES PIÈCES

COMPONENT PANEL GROUP / GRUPO TABLERO DE COMPONENTÉ / TABLEAU DES COMPOSANTS



PARTS LIST - LISTA DE PIEZAS - LISTE DES PIÈCES

COMPONENT PANEL GROUP / GRUPO TABLERO DE COMPONENTÉ / TABLEAU DES COMPOSANTS

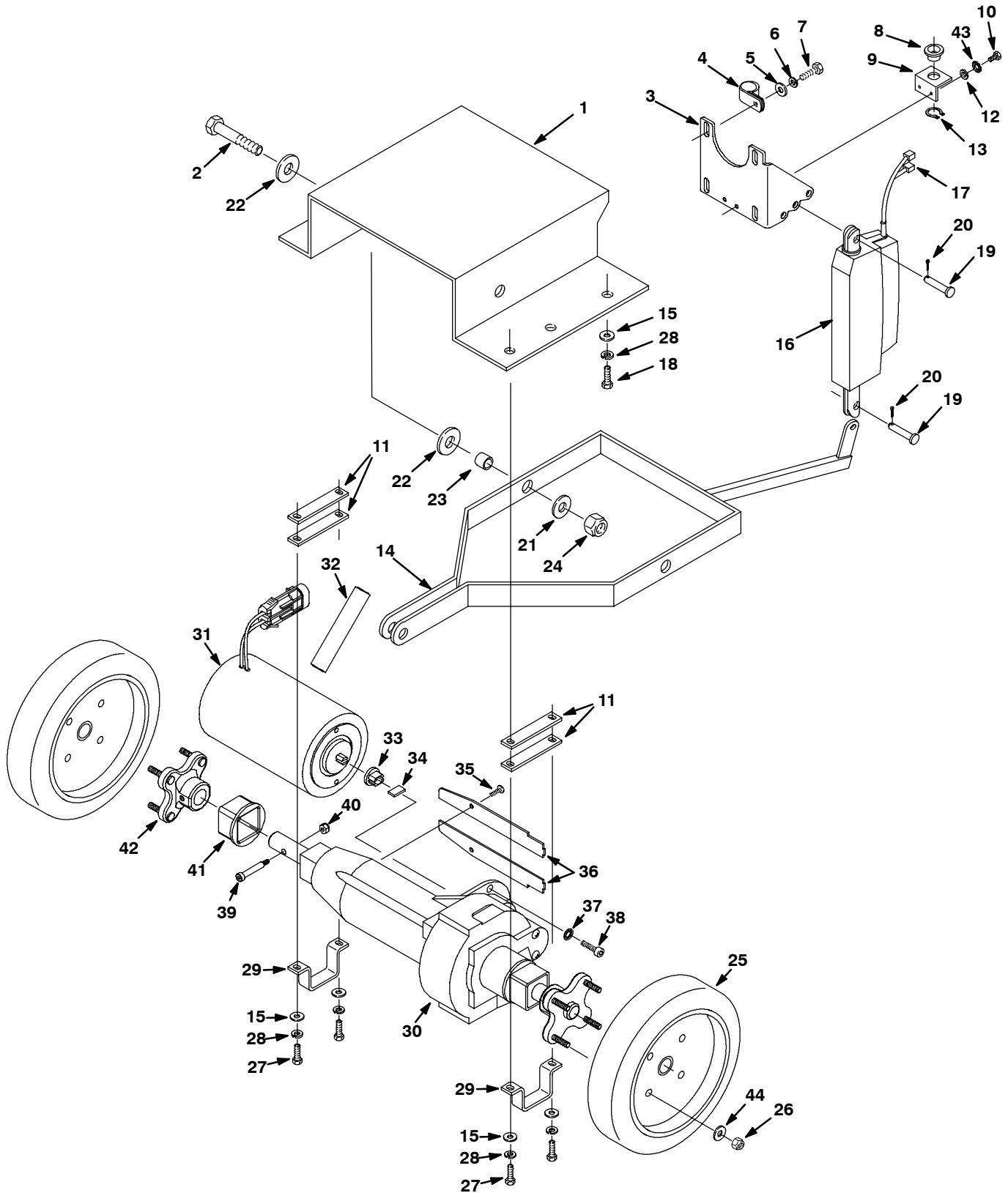
REF	PART #	DESCRIPTION	QTY.
1	613030	PANEL, HSNGL, CNTRL	1
2	609969	●PLUG, HOURMETER	2
3	069764626	●PLUG, HOLE 012.7	1
4	130161	●PLUG, DOME, .875D, BLACK	1
5	130175	●PLUG, DOME, .750D, BLACK	1
6	140519	NUT, #10-24 KEP	2
7	582150	●BUTTON, PLUG, ACCESSORY SWITCH	2
8	608322	SCREW, TRS, M6X1.0X16 PHL SS	6
9	08712	NUT, HEX LOCK, M6X1.0 SS NL	6
10	140000	WASHER, FLAT, 0.28B .062D .04 SS	7
11	606404	●DIODE ASSY W/RING TERMINALS	3
12	281001009	TERMINAL, RING, #10 14-16	6
13	605905AM	●SOLENOID, 24VDC 125A 050 OHM	3
14	130021	●FLASHER, 24VDC	1
15	606243	TAPE, DOUBLE STICK 1" ACRYLIC	1
16	130737AM	●CIRCUITBREAKER, 10.0A	1
17	602951AM	●CIRCUITBREAKER, 35.0A	3
18	140829	SCREW, PAN, #06-32X1.00 PHL SS	2
19	140019	WASHER, LOCK, EXT, #06 ZN	2
20	605387	●CONNECTOR, 50A RED W/O CONT	1
21	1026454	SCREW, PAN, M5X0.8X10, SS	2
22	07514	WASHER, LOCK, INT #10 SS	2
23	130698	BUSHING, SNAP .50ID BLACK	1
24	602887	BRACKET, CHRGR PLUG/CB/SOL	1
25	01696	SCREW, HEX, .25-20X0.50 SS	2

REF	PART #	DESCRIPTION	QTY.
26	140016	WASHER, LOCK, 0.25 SS	2
27	602871	CABLE, BATTERY 6BLKX24" 1/4X5/16	1
28	76062	●INSULATOR, PANEL & SWITCHBOARD	1
29	602872	CABLE, BATT #6REDX28" 5/16X3/8	1
30	140539	NUT, HEX LOCK #06-32 KEP SS	2
31	605823	●SEAL, ORG .926 ID X .996 OD	1
32	603331	SPACER, CHARGER PLUG	1
33	140890	SCREW, #10-24X1/2 TRSPHL	2
34	604486	DIODE ASSY, SPLICED	1
35	1001219	●RELAY, 24VDC, DPDT	1
36	606105	LABEL, HZRD, DO NOT SPRAY	1
37	08708	NUT, HEX, LOCK, M06X1.0 NYLON (FaST MODEL)	1
38	130787	●SWITCH, ROCKER SPDT (FaST MODEL)	1
39	613399	LABEL, FAST SWITCH (FaST MODEL)	1
40	130737AM	●BREAKER, CIRCUIT 10 AMP (FaST MODEL)	1
41	49309	●RELAY, 24VDC (FaST MODEL)	1
42	1005325	TIMER, PUMP, DETERGENT 24V (FaST MODEL)	1
43	06945	SCREW, HEX, M06X1.0X30, 8.8 (FaST MODEL)	1
44	32490	WASHER, FLAT, .25 STD (FaST MODEL)	1
N/S	613375	HARNESS, WIRE MAIN W/FaST (FaST MODEL)	1

- RECOMMENDED STOCK ITEM / PIEZAS RECOMENDADAS EN ALMACÉN / ÉLÉMENTS DE STOCK RECOMMANDÉS

PARTS LIST - LISTA DE PIEZAS - LISTE DES PIÈCES

DRIVE GROUP / GRUPO DE TRANSMISIÓN / GROUPE D'ENTRAÎNEMENT



PARTS LIST - LISTA DE PIEZAS - LISTE DES PIÈCES

DRIVE GROUP / GRUPO DE TRANSMISIÓN / GROUPE D'ENTRAÎNEMENT

REF	PART #	DESCRIPTION	QTY.
1	600288	PLATE, BASE TRANSAXLE	1
2	36758	BOLT, SHLD, .50DX0.50, .38-16	2
3	1002936	BRACKET, ACTUATOR	1
4	140314	CLAMP, CABLE, STL, 0.75D X 0.75W 1H VYL	1
5	140027	WASHER, FLAT, 0.35B 0.75D .04 SS	4
6	140015	WASHER, LOCK, SPLT, 0.31 SS	4
7	16931	SCREW, HEX, M8X1.25X20, 8.8	4
8	1009363	BUSHING, CABLE	1
9	630157	BRACKET, CABLE GUIDE, 11GA ZP	1
10	200031432	SCREW, HEX, M6X1.0X10	2
11	612783	SPACER, AXLE	4
12	140000	WASHER, FLAT, 0.28B .062D .04 SS	2
13	621236	RING, RETAINING, .810 DIA	1
14	600290	BRACKET, LIFT DUAL MOTOR	1
15	140028	WASHER, FLAT, 0.42B 1.00D .05 SS	6
16	600952	●ACTUATOR 24VDC	1
17	281004001	TERMINAL, FEM .25 22-18GA FI RED	2
18	09291	SCREW, HEX, M10X1.5X20 SS	2
19	604076	PIN, M10DIAX28 CLEVIS ZN	2
20	578421	PIN, COTTER, .125D X 1.00L	2
21	140046	WASHER, .392 I.D.	2
22	140045	WASHER, FLAT, 0.51B 1.25D .06 SS	4
23	602882	SLEEVE, P/M, 0.625D 0.502B 0.31L STL PLT	2
24	59156	NUT, HEX LOCK .38-16 NL SS	2

▽ ASSEMBLY / CONJUNTO / ENSEMBLE

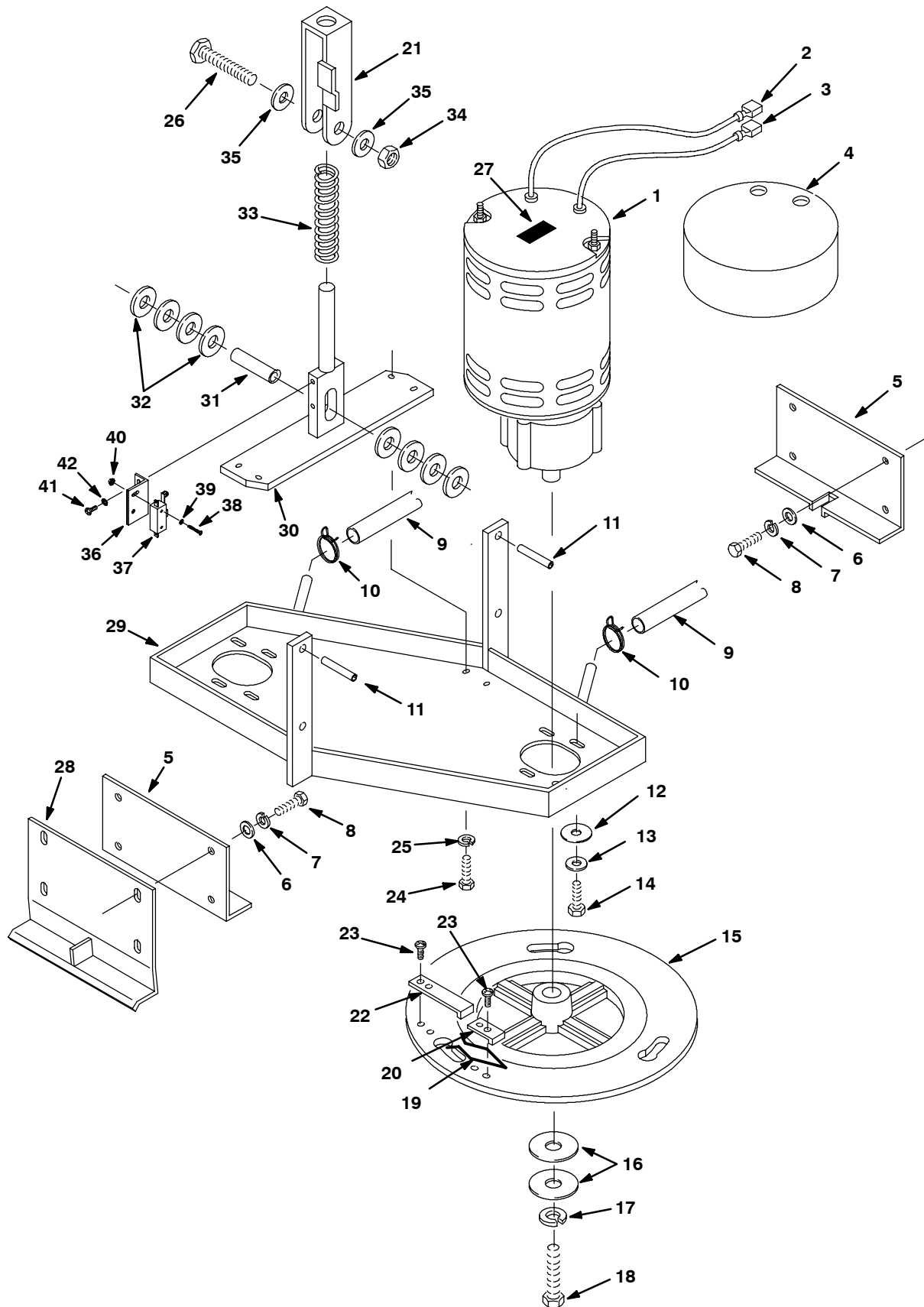
▲ INCLUDED IN ASSEMBLY / INCLUIDO A CONJUNTA / Y COMPRIS EN ENSEMBLE

● RECOMMENDED STOCK ITEM / PIEZAS RECOMENDADAS EN ALMACÉN / ÉLÉMENTS DE STOCK RECOMMANDÉS

REF	PART #	DESCRIPTION	QTY.
25	613026	●WHEEL, NEOPRENE, SOLID	2
	630215	●WHEEL, PNEUMATIC, AIR	2
	600352	●WHEEL, FOAM FILLED	2
	604357	●KIT, PNEUMATIC WHEEL, AIR	1
	604259	●KIT, WHEEL FOAM FILLED	1
26	41169	NUT, HEX LOCK, .25-20 NL SS	8
27	612255000	SCREW, HEX, M10X1.5X35 ZN	4
28	140333	WASHER, M10 SPLTLCK SS	6
29	612784	BRACKET, TRANSAXLE MTG	2
▽	1013312	TRANSAXLE, 24V MOTOR 116 RPM	1
▲ 30	612873	TRANSAXLE, REPLMT, BODY ONLY	1
▲ 31	614165	MOTOR, ELE, 24VDC TRANSAXLE REPLMT	1
▲ 32	614166	●KIT, BRUSH, CARBON QTY(4) (After SN 10169615 - For Motor #614165)	1
	612883	●KIT, BRUSH, CARBON QTY(2) (Before SN 10169615 - For Motor #612877)	1
▲ 33	612874	COUPLING, TRANSAXLE REPLMT	1
▲ 34	612875	KEY, SPECIAL, TRANSAXLE REPLMT	1
▲ 35	577031000	SCREW, #8X1/2 PAN PHL ZN	2
▲ 36	N/A	COVER, SHAFT	2
▲ 37	32982	WASHER, LOCK, INT, 0.25	2
▲ 38	33951	SCREW, SOC, M6 X 1.0 X 20, 12.9	2
▲ 39	31249	BOLT, SHLD, .25DX1.25, #10-24	2
▲ 40	140552	NUT, HEX LOCK, #10-24 NL SS	2
▲ 41	612880	SLEEVE, TRANSAXLE REPLMT	2
▲ 42	612879	HUB, WHEEL TRANSAXLE REPLMT	2
43	140052	WASHER, LOCK, EXT, 0.25 SS	2
44	140000	WASHER, FLAT, 0.28B .062D .04 SS	8

PARTS LIST - LISTA DE PIEZAS - LISTE DES PIÈCES

BRUSH DRIVE GROUP / CONJUNTO IMPULSO DE CEPILLO / GROUPE TÊTE DE BROSSAGE DISQUE SIMPLE



PARTS LIST - LISTA DE PIEZAS - LISTE DES PIÈCES

BRUSH DRIVE GROUP / CONJUNTO IMPULSO DE CEPILLO / GROUPE TÊTE DE BROSSAGE DISQUE SIMPLE

REF	PART #	DESCRIPTION	QTY.
▽ 1	130491	●MOTOR, ELE, 24VDC 0.75HP W/GEARBOX IMP	2
▲	630609	●GEARBOX ASSY	1
▲	190741	●ASM., BRUSH CARD	1
▲	190970	●BRUSH, CARBON, MOTOR, ELE	4
▲	140632	●KEY, .25X.25X1.00L (+.000/- .002)	1
2	130192	TERMINAL MAL .25 12-10 FI YW	1
3	130192	TERMINAL MAL .25 12-10 FI YW	1
4	100764	COVER, BRUSH MOTOR	2
5	600300	PLATE, GUIDE	2
6	140003	WASHER, 1/4X1 FNDR SS	8
7	140016	WASHER, LOCK, 0.25 SS	8
8	15678	SCREW, HEX, M6X1.0X16 SS	8
9	609470	HOSE, 0.38ID 0.62OD 9.0L	1
10	607775	CLAMP, HOSE, WIRE .63-.66 BLK	2
11	140618	PIN, ROLL .258D X 1.50L ZN	4
12	140028	WASHER, FLAT, 0.42B 1.00D .05 SS	8
13	140017	WASHER, LOCK, SPLT, 0.38 SS	8
14	69225	SCREW, HEX, .38-16X1.00 SS	8
15	606335	PLATE, DRIVE, MOLDED, NYLON	2
16	25732	WASHER, FLAT, 0.36B 1.25D .09 ZN	4
17	140015	WASHER, LOCK, SPLT, 0.31 SS	2
18	140219	SCREW, HEX, .31-18X1.00 SS	2
19	140417	●CLIP, SPRING	2

REF	PART #	DESCRIPTION	QTY.
20	230651	●CLAMP, BRUSH PLATE	2
21	1001148	BRACKET, SPRING	1
22	230697	●STOP, DRIVER RELEASE	2
23	606915	SCREW, HILO #10-16X0.38 SS	8
24	16931	SCREW, HEX, M8X1.25X20, 8.8	4
25	140015	WASHER, LOCK, SPLT, 0.31 SS	4
26	140225	SCREW, HEX .38-16X2.00 SS W/HL	1
27	606243	TAPE, ACRYLIC 1"X.25'	2
28	600299	LIP, FRONT SKIRT	1
29	600289	BRACKET, MOTOR MOUNT	1
30	613029	BRACKET, SPRING MOUNT	1
31	602930	SLEEVE, P/M, 0.622D 0.383B 1.50L	1
32	578298000	WASHER, .64X.87X.031 FLAT SS	8
33	602555	SPRING, BRUSH PRESSURE	1
34	36643	NUT, HEX, LOCK, .38-16, NL, THIN	1
35	140028	WASHER, FLAT, 0.42B 1.00D .05 SS	2
36	1000975	BRACKET, SWITCH, BRUSH	1
37	1020061	●SWITCH, SNAP, 25A 125/250VAC	1
38	140829	SCREW, PAN, #06-32X1.00 PHL SS	2
39	140032	WASHER, #6 FLAT, SS	2
40	140539	NUT, HEX, LOCK, #06-32 KEP SS	2
41	1026454	SCREW, PAN, M5X0.8X10, SS	2
42	07514	WASHER, LOCK, INT #10 SS	2

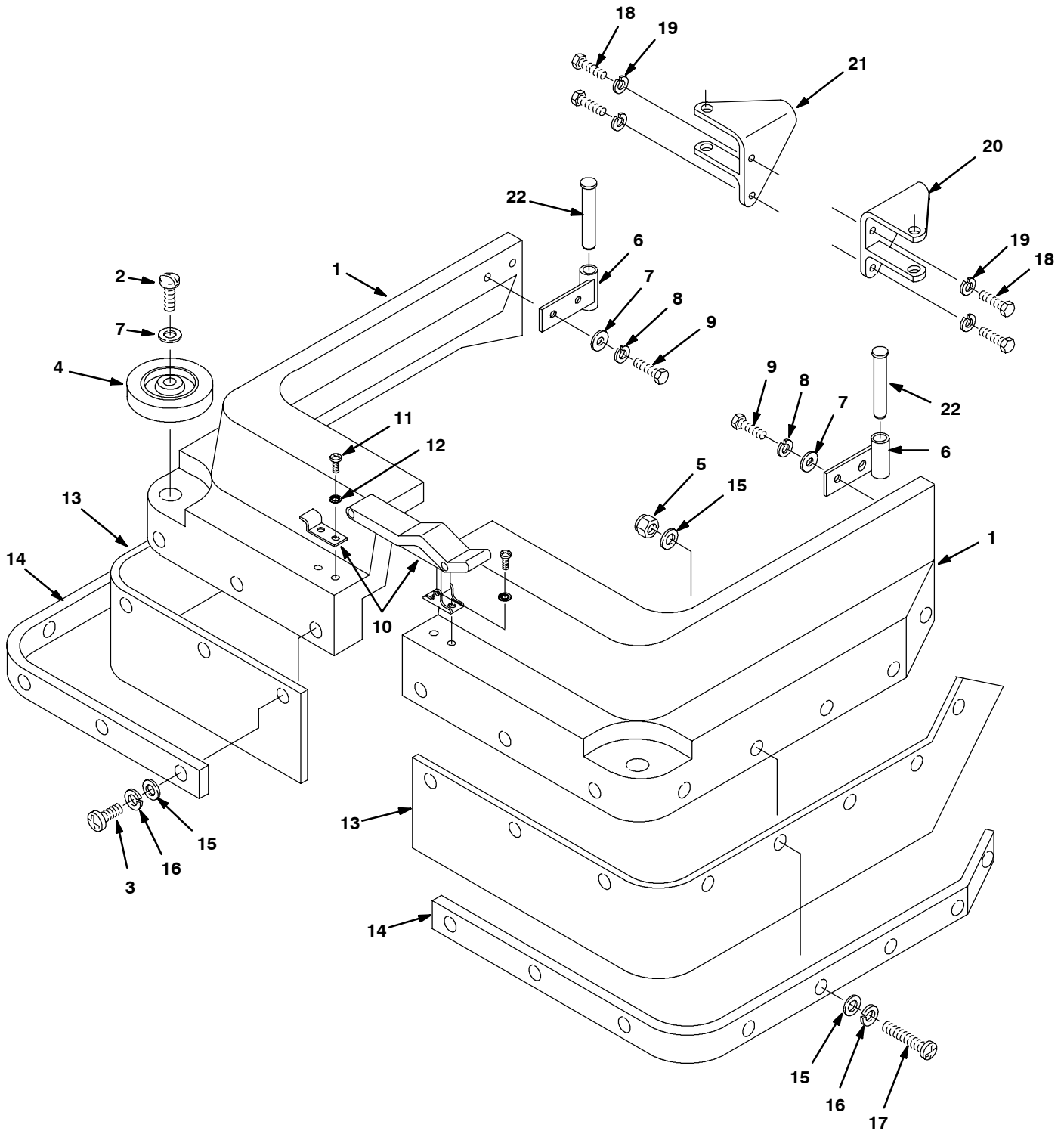
▽ ASSEMBLY / CONJUNTO / ENSEMBLE

▲ INCLUDED IN ASSEMBLY / INCLUIDO A CONJUNTA / Y COMPRIS EN ENSEMBLE

● RECOMMENDED STOCK ITEM / PIEZAS RECOMENDADAS EN ALMACÉN / ÉLÉMENTS DE STOCK RECOMMANDÉS

PARTS LIST - LISTA DE PIEZAS - LISTE DES PIÈCES

SKIRT GROUP / CONJUNTO JUEGO / GROUPE SOUFFLET JUPE



PARTS LIST - LISTA DE PIEZAS - LISTE DES PIÈCES

SKIRT GROUP / CONJUNTO JUEGO / GROUPE SOUFFLET JUPE

REF	PART #	DESCRIPTION	QTY.
▽	609773	ASM., SKIRT OPERATOR LH GREEN (2401)	1
	609771	ASM., SKIRT OPERATOR LH GREEN (2601)	1
	609772	ASM., SKIRT OPERATOR RH GREEN (2401)	1
	609770	ASM., SKIRT OPERATOR RH GREEN (2601)	1
▲ 1	608709	SKIRT, OPERATOR LH GREEN (2401)	1
	608301	SKIRT, OPERATOR LH GREEN (2601)	1
	608711	SKIRT, OPERATOR RH GREEN (2401)	1
	608303	SKIRT, OPERATOR RH GREEN (2601)	1
▲ 2	603154	●SCREW, PAN, M8X1.25X40 PHL SS	2
▲ 3	578144000	SCREW, PAN, M5X0.8X16 PHL SS	10
▲ 4	1014918	●WHEEL, RBR, 3"X1" W/BUSHING	2
▲ 5	09739	NUT, HEX, LOCK, M5X0.8, NL, SS	6
▲ 6	600301	MOUNT, BRACKET, SKIRT	2

REF	PART #	DESCRIPTION	QTY.
▲ 7	140027	WASHER, FLAT, 0.35B 0.75D .04 SS	6
▲ 8	140015	WASHER, LOCK, SPLT, 0.31 SS	4
▲ 9	578237000	SCREW, HEX, M8X1.25X18 SS, 933	4
▲ 10	49800	●LATCH, DRAW, SOFT RBR W/ KEEPER	1
▲ 11	200070340	SCREW, PAN, M4X0.7X8 PHL ZN	4
▲ 12	02938	WASHER, LOCK, INT. 08 SS	4
▲ 13	600295	●GUARD, SPLASH (2401)	2
	600294	●GUARD, SPLASH (2601)	2
▲ 14	600297	STRAP, SPLASH GUARD (2401)	2
	600296	STRAP, SPLASH GUARD (2601)	2
▲ 15	140011	WASHER, FLAT, 0.21B 0.45D .03 SS	22
▲ 16	07514	WASHER, LOCK, INT #10 SS	16
▲ 17	140293	SCREW, PAN, M5X0.8X30, PHL, SS	6
18	575029000	SCREW, PAN, M8X1.25X20 PHL SS	4
19	140015	WASHER, LOCK, SPLT, 0.31 SS	4
20	607951	BRACKET, LH SKIRT	1
21	607952	BRACKET, RH SKIRT	1
22	230943	●PIN, SKIRT	2

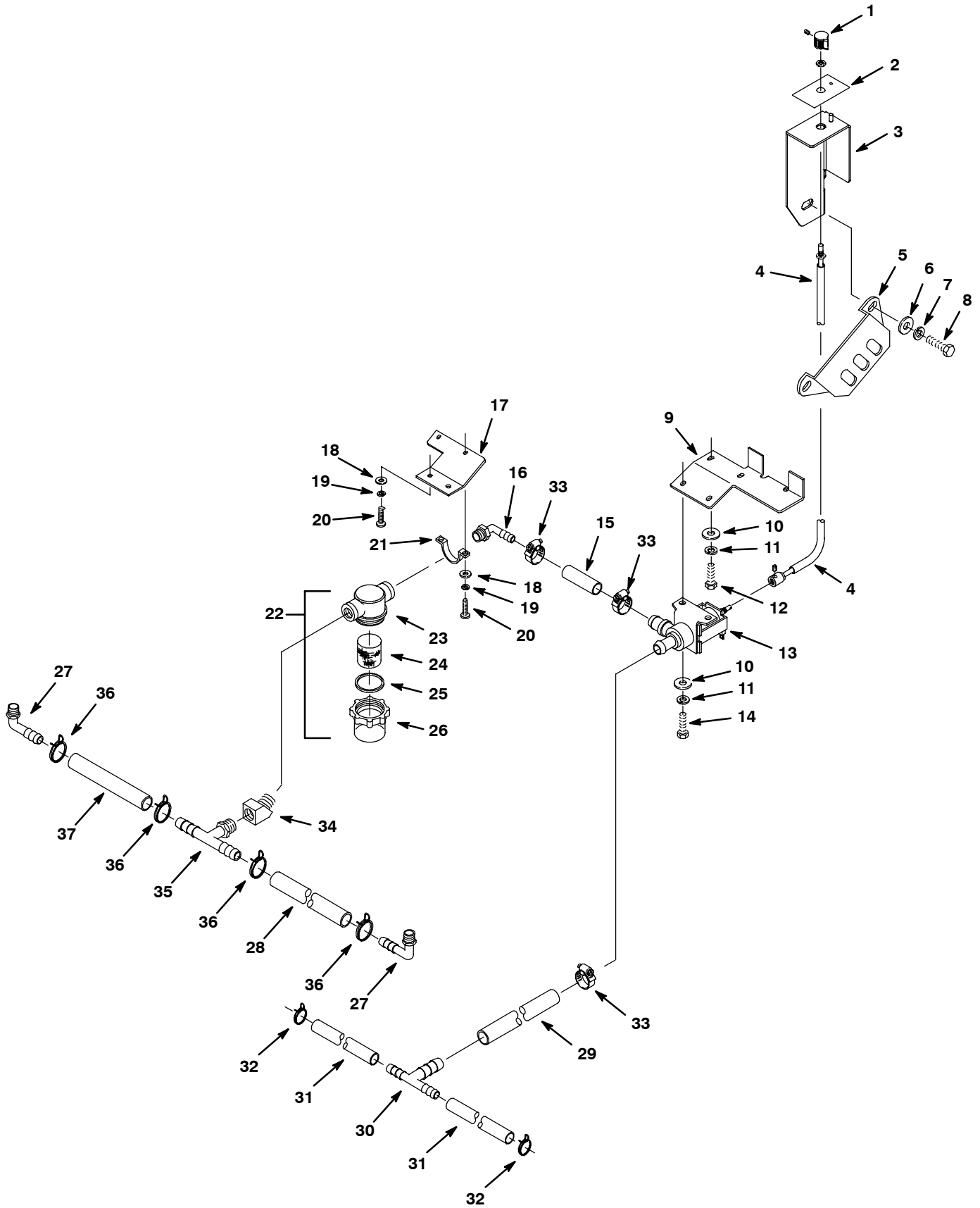
▽ ASSEMBLY / CONJUNTO / ENSEMBLE

▲ INCLUDED IN ASSEMBLY / INCLUIDO A CONJUNTA / Y COMPRIS EN ENSEMBLE

● RECOMMENDED STOCK ITEM / PIEZAS RECOMENDADAS EN ALMACÉN / ÉLÉMENTS DE STOCK RECOMMANDÉS

PARTS LIST - LISTA DE PIEZAS - LISTE DES PIÈCES

SOLUTION GROUP, STANDARD MODEL / GRUPO DE SOLUCION, MODELO ESTANDAR /
GROUPE DE SOLUTION, MODÈLE STANDARD



PARTS LIST - LISTA DE PIEZAS - LISTE DES PIÈCES

SOLUTION GROUP, STANDARD MODEL / GRUPO DE SOLUCION, MODELO ESTANDAR / GROUPE DE SOLUTION, MODÈLE STANDARD

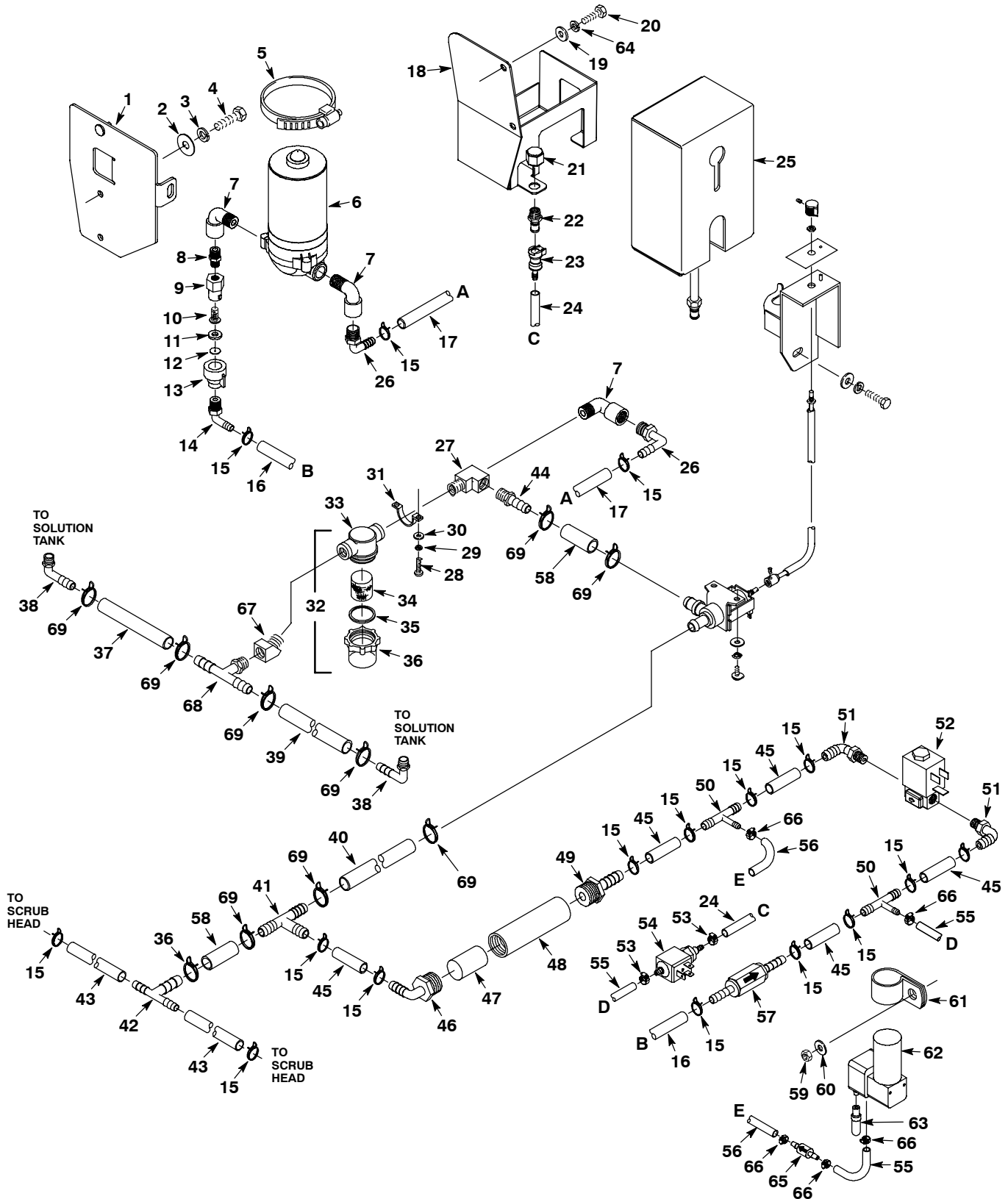
REF	PART #	DESCRIPTION	QTY.
1	626121	KNOB, RND 0.71D 0.75L 0.25B PLSTC	1
2	612039	DECAL, SOLUTION CONTROL	1
3	1002538	BRACKET, SOLUTION CONTROL	1
4	612497	CABLE, WATER FLOW CONTROL	1
5	230661	PLATE, LOCK CONTROL HOUSING	1
6	140027	WASHER, FLAT, 0.35B 0.75D .04 SS	2
7	140015	WASHER, LOCK, SPLT, 0.31 SS	2
8	16931	SCREW, HEX, M8X1.25X20, 8.8	2
9	611822	BRACKET, SOLENOID MOUNT	1
10	140000	WASHER, FLAT, 0.28B .062D .04 SS	4
11	140016	WASHER, LOCK, 0.25 SS	4
12	15678	SCREW, HEX, M6X1.0X16 SS	2
13	612498	●VALVE, LIQUID DISPENSING	1
	614265	●KIT, VALVE, WATER, REBUILD	1
14	200031432	SCREW, M6X1.0X10 HXHDCP	2
15	069760725	HOSE, 0.50ID, 0.75OD 3.0L	1
16	1017532	FITTING, PLSTC, E90, PM06/BM08	1

- RECOMMENDED STOCK ITEM / PIEZAS RECOMENDADAS EN ALMACÉN /
ÉLÉMENTS DE STOCK RECOMMANDÉS

REF	PART #	DESCRIPTION	QTY.
17	611820	BRACKET, FILTER MOUNT	1
18	575541000	WASHER, M5.3X10X1 FLT, SS D125A	4
19	1026457	WASHER, M5 LOCK	4
20	609062	SCREW, M5X.8X12 TRSPHL	4
21	605056	BRACKET, FILTER MOUNT	1
▽ 22	1005302	●ASM., FILTER BOWL & SCREEN	1
▲ 23	613993	●HOUSING, TOP	1
▲ 24	1005304	●SCREEN, FLTR, 80 MESH	1
▲ 25	613992	●GASKET	1
▲ 26	613991	●BOWL, CLR, SHORT	1
27	1017532	FITTING, PLSTC, E90, PM06/BM08	2
28	578822000	HOSE, 0.50ID, 0.75OD 16.8L	1
29	578822000	HOSE, 0.50ID, 0.75OD 16.8L	1
30	1022556	FITTING, PLSTC, TEE, BM06/BM06/BM08	1
31	609470	HOSE, 0.38ID 0.62OD 9.0L	1
32	607775	CLAMP, HOSE, WIRE .63-.66 BLK	2
33	54333	CLAMP, HOSE, WORMDRIVE, 0.31-0.88D, .31W	3
34	01997	FITTING, BRS, E45, PM06/PF06	1
35	605046	FITTING, PLSTC, TEE, PM06/BM08/BM08	1
36	607776	CLAMP, HOSE, .73-.77, 2-WIRE	4
37	606241	HOSE, 0.50ID, 0.75OD 6.0L	1

PARTS LIST - LISTA DE PIEZAS - LISTE DES PIÈCES

SOLUTION GROUP, FaST MODEL / GRUPO DE SOLUCIÓN, MODELO FaST / GROUPE SOLUTION, MODÈLE FaST



PARTS LIST - LISTA DE PIEZAS - LISTE DES PIÈCES

SOLUTION GROUP, FaST MODEL / GRUPO DE SOLUCIÓN, MODELO FaST / GROUPE SOLUTION, MODÈLE FaST

REF	PART #	DESCRIPTION	QTY.	
1	1005236	BRACKET, MOUNTING	1	
2	140003	WASHER, FENDER	2	
3	140016	WASHER, LOCK	2	
4	15678	SCREW, M06X1.0X16MM	2	
5	43555	CLAMP, HOSE 1.62-3.5OD	1	
6	1002345	●PUMP, SOLTN, ELE, 24VDC (SEE PUMP BREAKDOWN, PG. 77)	1	
7	1005318	FITTING, PLSTC, E90 PF06/PM06	3	
8	1005219	FITTING, PLSTC, STR PM04/PM06	1	
∇	1005321	FITTING, PLSTC, CAP ASM	1	
▲	9	1005507	FITTING, PLSTC, BODY SPRAY	1
▲	10	1006447	●STRAINER, ORIFICE	1
▲	11	1005508	WASHER, .034B 0.75D 0.12	1
▲	12	1005509	PLATE, ORIFICE, 0.035ID	1
▲	13	1005506	FITTING, PLSTC CAP SPRAY	1
14	57248	FITTING, PLSTC E90 BM06/PM04	1	
15	607775	CLAMP, HOSE 2 WIRE BLK	16	
16	613724	HOSE, PVC, BRD, 0.38ID, 0.60OD 10.0L	1	
17	613722	HOSE, PVC, BRD, 0.38ID, 0.60OD 21.0L	1	
18	1002871	BRACKET, HOLDER BOX	1	
19	140027	WASHER, 5/16 FLAT	4	
20	200031488	SCREW, M8X1.25X20 HXHDCP	4	
21	1005435	FITTING, PLSTC PIPE CAP	1	
22	1006206	COUPLING, MALE .25NPT	1	
23	1006204	COUPLING, FEM W/VALVE .25 BRB	1	
24	613842	HOSE, PVC, CLR, 0.25ID 0.38OD, 15.0L	1	
25	1017019	DETERGENT PKG, 2 LITER, SGL	1	
26	1005630	FITTING, PLSTC E90 BM06/PM06	2	
27	601483	TEE, STREET 3/8 NPT	1	
28	609062	SCREW, M5X.8X12 TRSPHL	4	
29	200655016	WASHER, M5 LOCK	4	
30	575541000	WASHER, M5X1 FLAT	4	
31	605056	BRACKET, FILTER MOUNT	2	
∇	32	1005302	●ASM., FILTER BOWL & SCREEN	1
▲	33	613993	●HOUSING, TOP	1
▲	34	1005304	●SCREEN, FLTR, 80 MESH	1
▲	35	613992	●GASKET	1
▲	36	613991	●BOWL, CLR, SHORT	1

REF	PART #	DESCRIPTION	QTY.
37	606241	HOSE, 0.50ID, 0.75OD 6.0L	1
38	578039000	FITTING, 3/8MX1/2H ELBOW 90	2
39	578822000	HOSE, 0.50ID, 0.75OD 16.8L	1
40	613725	HOSE, PVC, BRD, 0.50ID, 0.73OD 15.0L	1
41	382454	FITTING, TEE BM08XBM08XBM06	1
42	612149000	FITTING, 3/8HX3/8HX1/2H TEE	1
43	609470	HOSE, 3/8IDX5/8ODX9" (611254)	2
44	64743	FITTING, PLSTC, STR, BM08/PM06	1
45	613717	HOSE, PVC, BRD, 0.38ID, 0.60OD 2.0L	5
46	79484	FITTING, PLSTC E90 BM06/PM12	1
47	1002789	FILTER, FOAM	3
48	1005086	TUBE, PLASTIC 25MM ID	1
49	73467	FITTING, STR BM06/PM12 NYLON	1
50	61456	FITTING, TEE BM06/BM03/BM06	2
51	1005564	FITTING, PLSTC E90 BM06/PM02	2
52	1013236	VALVE, SHUTOFF ELECT 24VDC	1
53	43844	CLAMP, HOSE .25- .62D	2
54	1005413	PUMP, CONCENTRATE 24VDC	1
55	613720	HOSE, PVC, CLR, 0.19ID, 0.38OD 3.0L	2
56	613726	HOSE, PVC, BRD, 0.19ID, 0.38OD 14.0L	1
57	210044	VALVE, CHECK 3/8X3/8	1
58	392256	HOSE, PVC, BRD, 0.50ID, 0.73OD 2.0L	2
59	08708	NUT, HEX, LOCK, M06X1.0 NYLON	1
60	32490	WASHER, FLAT, .25 STD	1
61	53466	CLAMP, CABLE, STL, 1.50DX1.00W	1
62	1002344	●PUMP, AIR, ELE, 24VDC (SEE PUMP BREAKDOWN, PG. 77)	1
63	1005255	FILTER, ASM AIR	1
64	140015	WASHER, 5/16 SPLIT LOCK	4
65	1005327	FITTING, CVALVE BM03/BM03	1
66	613735	CLAMP, HOSE, WIRE, .40-.42	5
67	01997	FITTING, BRASS ELBOW 45	1
68	605046	FITTING, 3/8MX1/2HX1/2H TEE	1
69	607776	CLAMP, HOSE 2 WIRE BLK	9

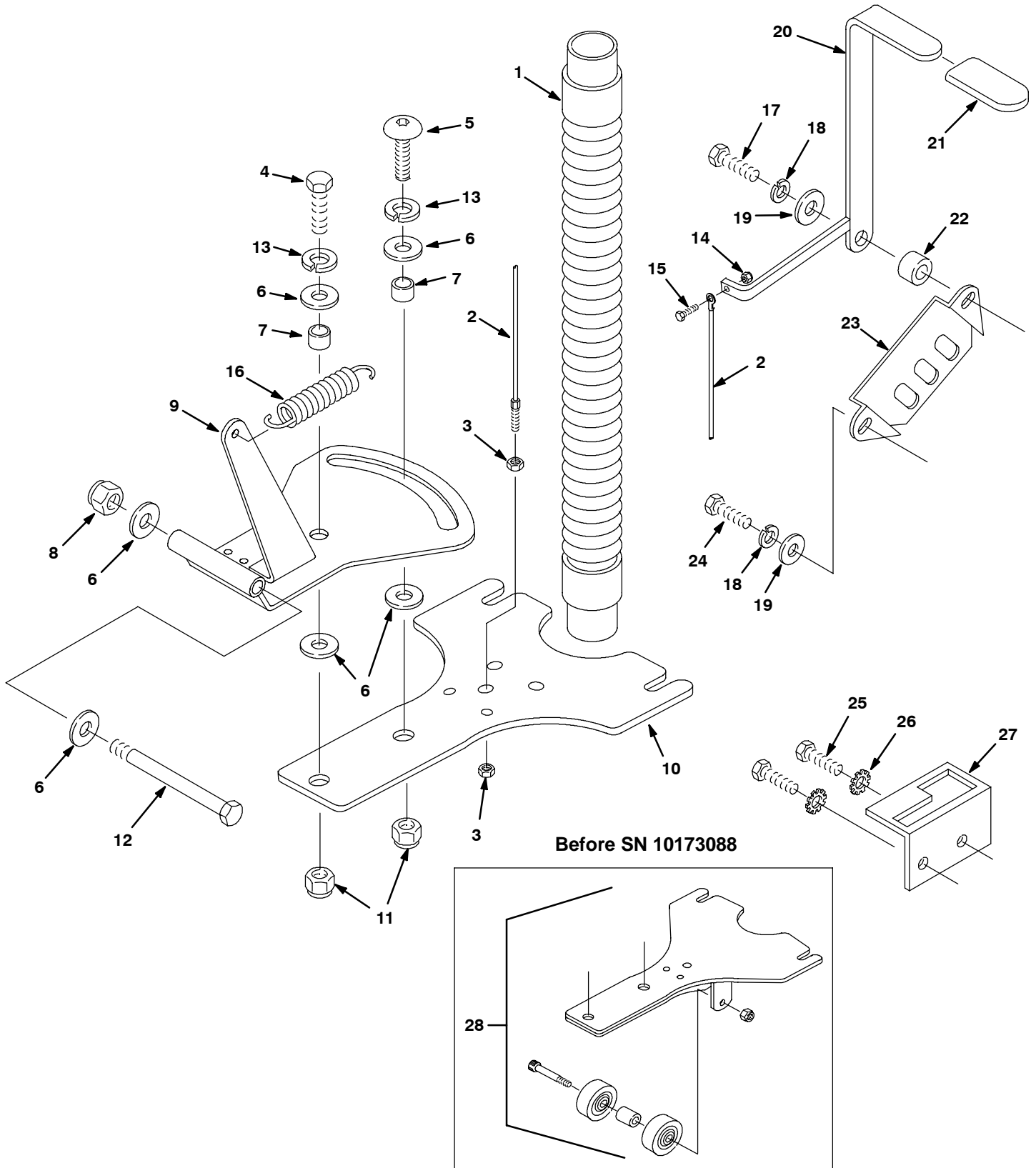
∇ ASSEMBLY / CONJUNTO / ENSEMBLE

▲ INCLUDED IN ASSEMBLY / INCLUIDO A CONJUNTA / Y COMPRIS EN ENSEMBLE

● RECOMMENDED STOCK ITEM / PIEZAS RECOMENDADAS EN ALMACÉN / ÉLÉMENTS DE STOCK RECOMMANDÉS

PARTS LIST - LISTA DE PIEZAS - LISTE DES PIÈCES

SQUEEGEE CONTROL GROUP / GRUPO DE CONTROL DE LA ESCOBILLA DE GOMA / GROUPE COMMANDE DE RACLOIR



PARTS LIST - LISTA DE PIEZAS - LISTE DES PIÈCES

SQUEEGEE CONTROL GROUP / GRUPO DE CONTROL DE LA ESCOBILLA DE GOMA / GROUPE COMMANDE DE RACLOIR

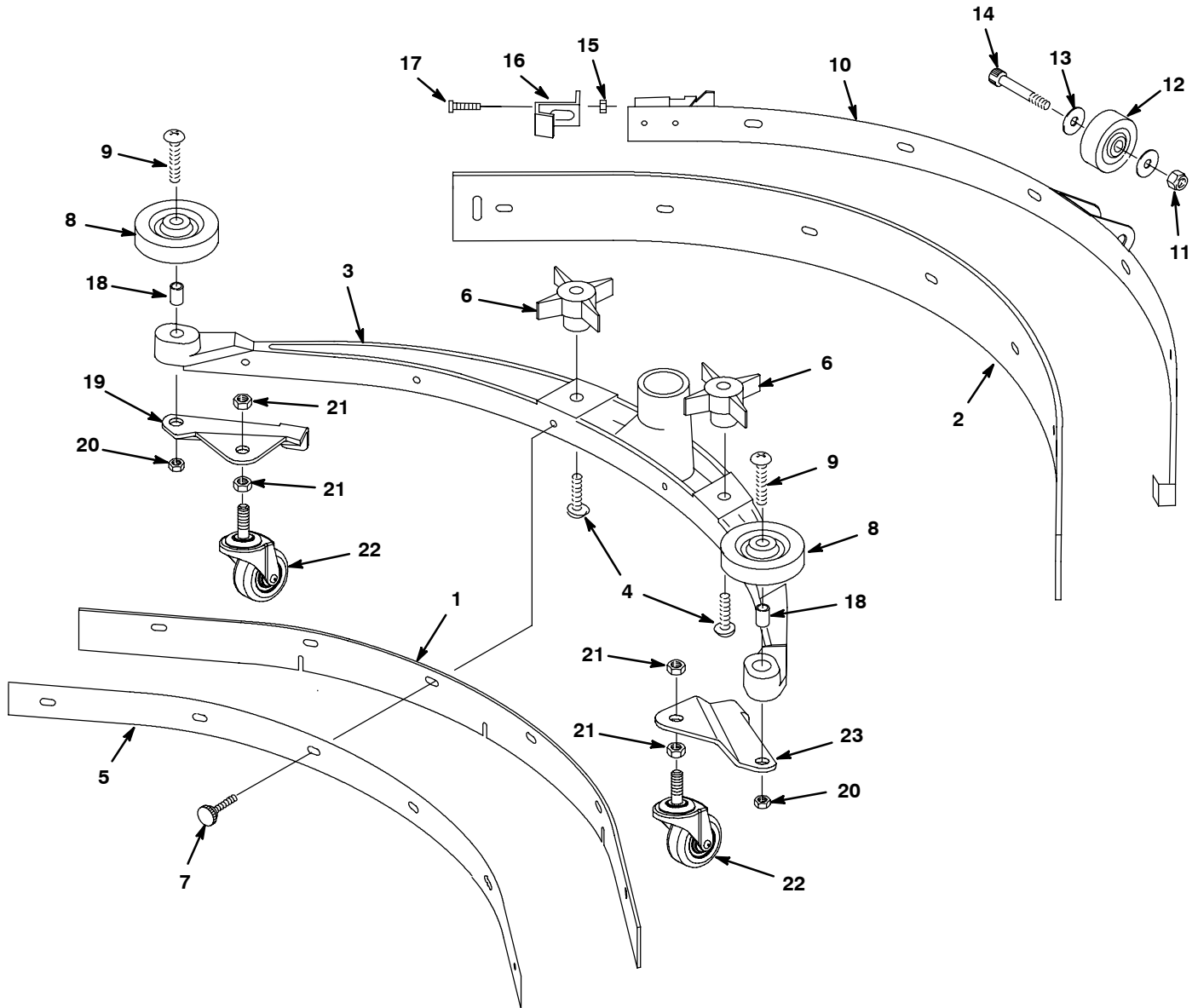
REF	PART #	DESCRIPTION	QTY.
1	160613	●HOSE, VACUUM, 1.5DX30L, 2-CUFFS	1
2	1015636	●CABLE, SQUEEGEE LIFT	1
3	41169	NUT, HEX LOCK, .25-20 NL SS	2
4	140236	SCREW, HEX, .50-13X1.25 ZN	1
5	611480	SCREW, TRS, .50-13X1.25 PHL SS	1
6	140045	WASHER, FLAT, 0.51B 1.25D .06 SS	6
7	140139	SLEEVE, P/M, 0.625D 0.500B 0.25L STL PLT	2
8	02931	NUT, HEX LOCK .50-13 NL SS	1
9	1021179	PIVOT MOUNT, SQUEEGEE	1
10	1011342	BRACKET, SQUEEGEE MOUNT	1
11	140509	NUT, 1/2-13 HXJM SS	2
12	602981	SCREW, HEX, .50-13X5.50 ZN	1
13	140024	WASHER, LOCK 0.50 SS	2
14	08712	NUT, HEX LOCK, M6X1.0 SS NL	1

REF	PART #	DESCRIPTION	QTY.
15	15678	SCREW, HEX, M6X1.0X16 SS	1
16	611477	SPRING, SQUEEGEE	1
17	200031496	SCREW, M08X1.25X35	1
18	140015	WASHER, LOCK, SPLT, 0.31 SS	2
19	140027	WASHER, FLAT, 0.35B 0.75D .04 SS	2
20	602885	HANDLE, SQUEEGEE LIFT	1
21	200816	●GRIP, HANDLE .25 X 1 X 2.25	1
22	604358	SPACER BUSHING	1
23	230661	PLATE, LOCK CONTROL HOUSING	1
24	16931	SCREW, HEX, M8X1.25X20, 8.8	1
25	140268	SCREW, HEX, M5X0.8X12 SS	2
26	140031	WASHER, #10 EXT ZN	2
27	230712	PLATE, SQUEEGEE LOCK	1
28	N/A	BRACKET, SQUEEGEE MOUNT - REPLACED BY KIT NO. 614116	1

- RECOMMENDED STOCK ITEM / PIEZAS RECOMENDADAS EN ALMACÉN /
ÉLÉMENTS DE STOCK RECOMMANDÉS

PARTS LIST - LISTA DE PIEZAS - LISTE DES PIÈCES

SQUEEGEE ASSEMBLY GROUP - STD. WIDTH, 33 in / 838 mm /
CONJUNTO PALETA, 33 pulg / 838 mm / GROUPE DE LA RACLETTE, 33 in / 838 mm



PARTS LIST - LISTA DE PIEZAS - LISTE DES PIÈCES

SQUEEGEE ASSEMBLY GROUP - STD. WIDTH, 33 in / 838 mm / CONJUNTO PALETA, 33 pulg / 838 mm / GROUPE DE LA RACLETTE, 33 in / 838 mm

REF	PART #	DESCRIPTION	QTY.
∇	612025*	ASSEMBLY, SQUEEGEE, LINATEX	1
▲∇	606758	●KIT, SQUEEGEE BLADES, LINATEX	1
▲ 1	605030	●BLADE, FRONT SQUEEGEE, LINATEX (RED)	1
▲ 2	605029	●BLADE, REAR SQUEEGEE, LINATEX (RED)	1
∇	613036*	ASSEMBLY, SQUEEGEE, GUM RUBBER	1
▲∇	606757	●KIT, SQUEEGEE BLADES, GUM RUBBER	1
▲ 1	605028	●BLADE, FRONT SQUEEGEE, GUM RUBBER (TAN)	1
▲ 2	605027	●BLADE, REAR SQUEEGEE, GUM RUBBER (TAN)	1
∇	613043*	ASSEMBLY, SQUEEGEE, URETHANE	1
▲∇	606759	●KIT, SQUEEGEE BLADES, URETHANE	1
▲ 1	605032	●BLADE, FRONT SQUEEGEE, URETHANE (WHITE)	1
▲ 2	605031	●BLADE, REAR SQUEEGEE, URETHANE (WHITE)	1
▲ 3	611462	CASTING, SQUEEGEE	1
▲ 4	140799	SCREW, TRS, .31-18 X 1.50, PHL	2
▲ 5	605034	RETAINER, FRONT STRIP	1
▲ 6	370100	●KNOB, STAR, 2.80D 4EAR 1.1L .31-18 PLSTC	2
▲ 7	603012	●KNOB, RND, 19D, PLSTIC, M6X12 STUD	6

REF	PART #	DESCRIPTION	QTY.
▲ 8	1010560	●WHEEL, BMPR, 80D X 25W, NON-MARKING	2
▲ 9	611489	SCREW, TRS, .31-18 X 1.88, PHL	2
▲ 10	605033	SQUEEGEE, BAND ASM REAR	1
▲ 11	601108000	NUT, 5/16-18 HXLCK THIN NY	1
▲ 12	630477	●WHEEL, 2.0D 0.38W POLY GRAY	1
▲ 13	140028	WASHER, 3/8 FLAT	2
▲ 14	600187	SCREW, SHOULDER, 3/8 X 1 1/4	1
▲ 15	09739	NUT, M5X.8 NYLOCK	1
▲ 16	605069	CLIP, SQUEEGEE BAND	1
▲ 17	630389	SCREW, M5 7/8X45 PANPHL	1
▲ 18	222460	SLEEVE, P/M 0.496D 0.318B 0.50L 430SS	2
▲ 19	1010488	BRACKET, CASTER MTG, SWIVEL, RH (After SN 10173088)	1
▲ 20	140506	NUT, HEX, STD, .31-18, SS	2
▲ 21	39312	NUT, HEX, STD, M10 X 1.5 (After SN 10173088)	4
▲ 22	1006343	●CASTER, SWIVEL, 2.0 D 0.8W, M10 STEM (After SN 10173088)	2
▲ 23	1006347	BRACKET, CASTER MTG, SWIVEL, LH (After SN 10173088)	1

∇ ASSEMBLY / CONJUNTO / ENSEMBLE

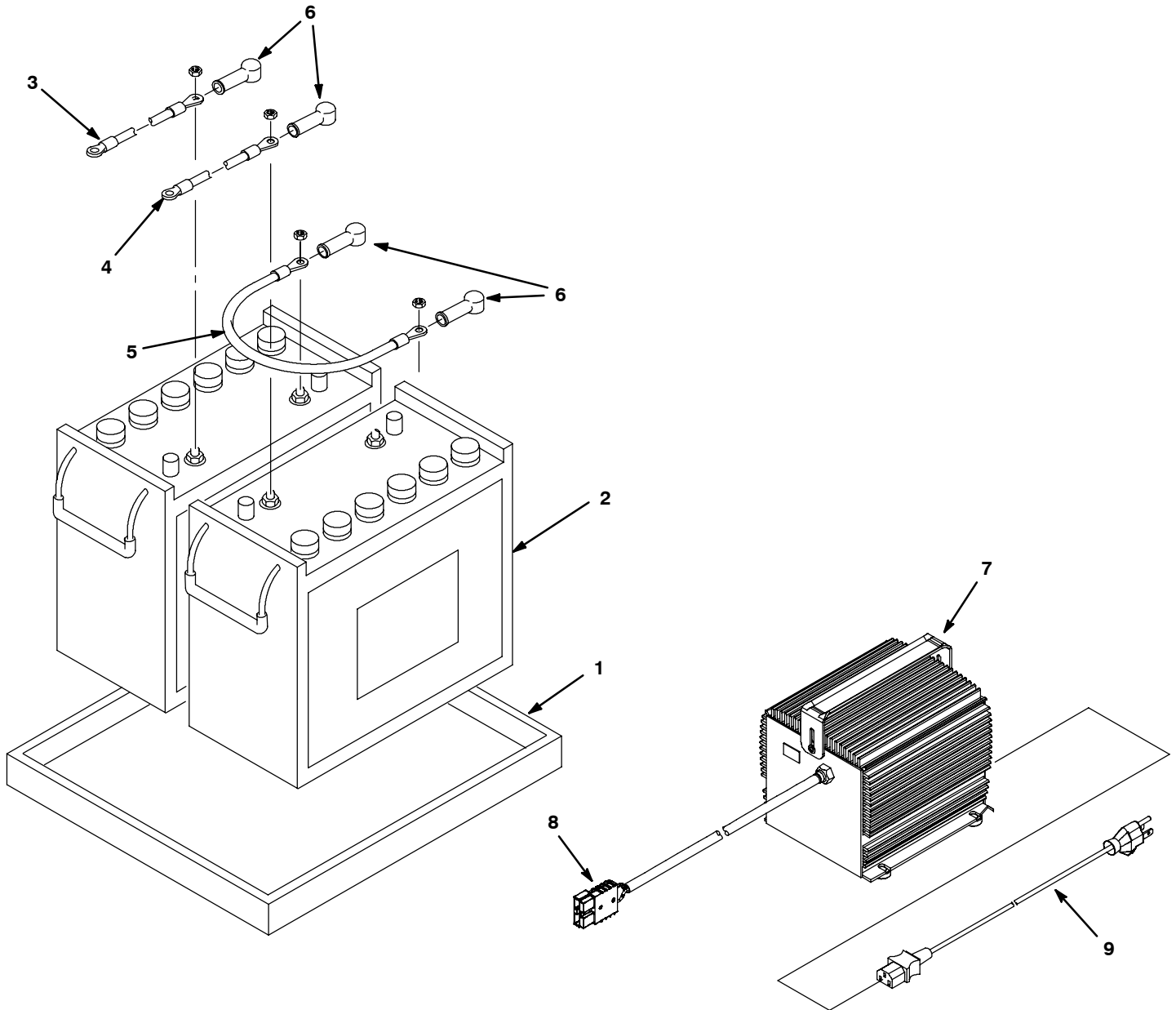
▲ INCLUDED IN ASSEMBLY / INCLUIDO A CONJUNTA / Y COMPRIS EN ENSEMBLE

● RECOMMENDED STOCK ITEM / PIEZAS RECOMENDADAS EN ALMACÉN / ÉLÉMENTS DE STOCK RECOMMANDÉS

* NOTE: KIT # 614116 IS REQUIRED FOR MODEL BEFORE SN. 10173088.

PARTS LIST - LISTA DE PIEZAS - LISTE DES PIÈCES

BATTERY AND CHARGER GROUP / CONJUNTO DE BATERÍA Y CARGADOR / GROUPE DE BATTERIE ET DE CHARGEUR



REF	PART #	DESCRIPTION	QTY.
1	601991	TRAY, BATTERY	1
2	600394	BATTERY, 12VDC CCA 215AH DUAL POST	2
3	602871	CABLE, BATTERY 6BLKX24" 1/4X5/16	1
4	602872	CABLE, BATT #6REDX28" 5/16X3/8	1

REF	PART #	DESCRIPTION	QTY.
5	130364	●CABLE, BATTERY 6X15 BLK 5/16X3/8	1
6	611221	BOOT, BATTERY CABLE, BLACK	4
▽ 7	1029256	CHARGER, 24VDC, 19A VAR VAC 1PH 50/60HZ	1
▲ 8	605387	CONNECTOR, 50A, RED	1
9	1017079	CORD, EXTN, 16GA/3, 10FT.	1

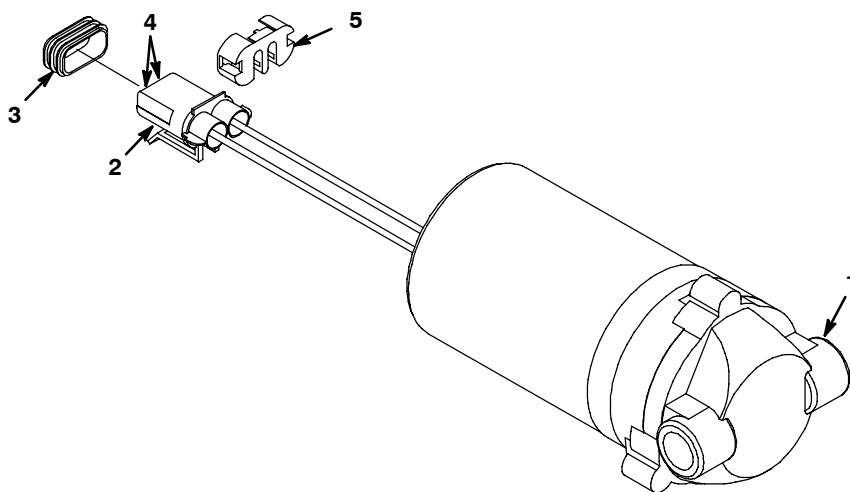
▽ ASSEMBLY / CONJUNTO

▲ INCLUDED IN ASSEMBLY / INCLUIDO EN EL CONJUNTO

● RECOMMENDED STOCK ITEM / PIEZAS RECOMENDADAS EN ALMACÉN / ÉLÉMENTS DE STOCK RECOMMANDÉS

PARTS LIST - LISTA DE PIEZAS - LISTE DES PIÈCES

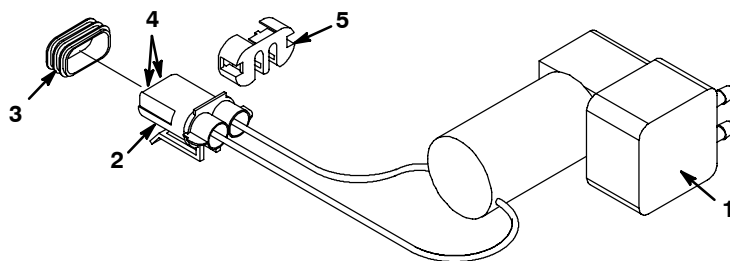
FaST SOLUTION PUMP BREAKDOWN / AVERÍA DE LA BOMBA DE DISOLUCIÓN / PANNE DE POMPE A SOLUTION



REF	PART #	DESCRIPTION	QTY.
▽	1002345	●PUMP, SOLTN, ELE, 24VDC	1
▲ 1	391433	●KIT, REPAIR, HEAD, PUMP, WATER	1
▲ 2	78950	●CONNECTOR, FEM, 2CAV	1

REF	PART #	DESCRIPTION	QTY.
▲ 3	10917	●SEAL, WIRE, 14/16GA	2
▲ 4	78951	●TERMINAL, FEM, 16/18GA	2
▲ 5	78952	●LOCK, SECONDARY, M/F, 2CAV	1

FaST AIR PUMP BREAKDOWN / AVERÍA DE LA BOMBA DE AIRE / PANNE DE POMPE A AIR



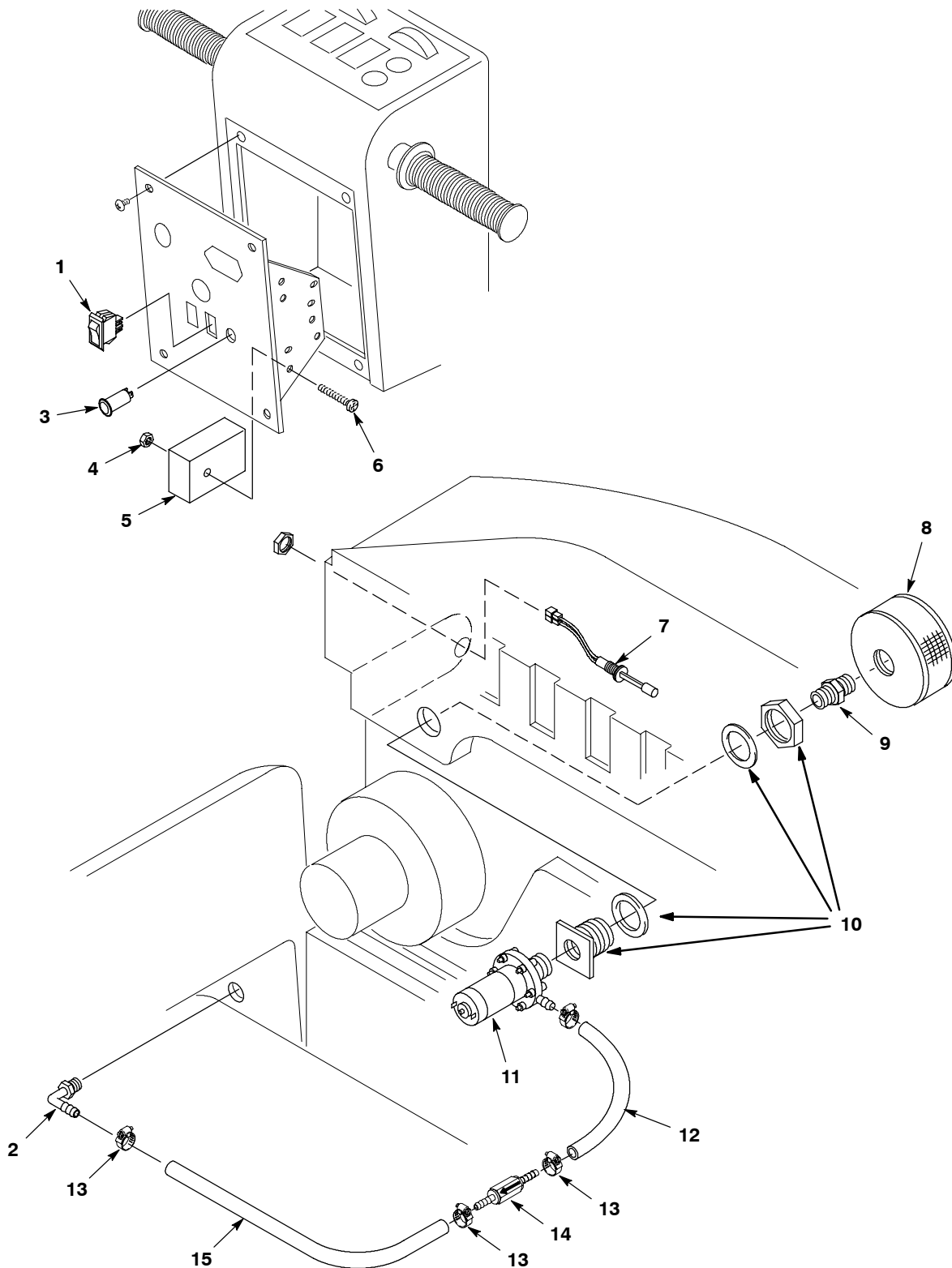
REF	PART #	DESCRIPTION	QTY.
▽	1002344	●PUMP, AIR, ELE, 24VDC	1
▲ 1	391449	●KIT, REPAIR, DIAPHRAGM, AIR COMPRESSOR	1
▲ 2	78950	●CONNECTOR, FEM, 2CAV	1

REF	PART #	DESCRIPTION	QTY.
▲ 3	25830	●SEAL, WIRE, 14/16GA	2
▲ 4	25837	●TERMINAL, FEM, 16/18GA	2
▲ 5	78952	●LOCK, SECONDARY, M/F, 2CAV	1

- ▽ ASSEMBLY / CONJUNTO / ENSEMBLE
- ▲ INCLUDED IN ASSEMBLY / INCLUIDO A CONJUNTA / Y COMPRIS EN ENSEMBLE
- RECOMMENDED STOCK ITEM / PIEZAS RECOMENDADAS EN ALMACÉN / ÉLÉMENTS DE STOCK RECOMMANDÉS

OPTIONS - OPCIONES - ÉQUIPEMENT AU CHOIX

ES (EXTENDED SCRUB) SOLUTION GROUP / ES GRUPO DE LA SOLUCIÓN / ES GRUPE DE SOLUTION



OPTIONS - OPCIONES - ÉQUIPEMENT AU CHOIX

ES (EXTENDED SCRUB) SOLUTION GROUP / ES GRUPO DE LA SOLUCIÓN / ES GRUPE DE SOLUTION

REF	PART #	DESCRIPTION	QTY.
▽	604780	*KIT, RECYCLE	1
▲ 1	630419	●SWITCH, ROCKER, 28VDC A SPST	1
▲ 2	150415	FITTING, PLSTC, E90, PM04/BM06	1
▲ 3	130738	●LIGHT, INDICATOR, VDC, GREEN	1
▲ 4	09739	NUT, HEX LOCK, M5X0.8, NL, SS	1
▲ 5	630145	●TIMER	1
▲ 6	578008000	SCREW, PAN, M5X0.8X30, PHL, ZN	1
▲ 7	603166	●SENSOR, LEVEL, LIQUID, 28VDC .28A	1
▲ 8	630138	●FILTER, SCREEN, 100 MESH	1
▲ 9	630385	FITTING, PLSTC, STR, PM12/PM12 01.5L	1

REF	PART #	DESCRIPTION	QTY.
▲ 10	601490	FITTING, PLSTC, STR, PM12, BH	1
▲ 11	630136	●PUMP, SOL 24VDC 3116"TERM 3/4"	1
▲ 12	607308	HOSE, PVC, BRD, 0.38ID 0.60OD 7.9L	1
▲ 13	54333	CLAMP, HOSE, WORMDRIVE, 0.31-0.88D, .31W	4
▲ 14	210044	●VALVE, CHECK, GPM 1PSI BM06/BM06	1
▲ 15	607103	HOSE, PVC, BRD, 0.38ID 0.60OD 15.0L	1
▲ N/S	604787	HARNESS, WIRE ES KIT	1
▲ N/S	630440	DECAL, "FILTER REMOVE"	1

▽ ASSEMBLY / CONJUNTO / ENSEMBLE

▲ INCLUDED IN ASSEMBLY / INCLUIDO A CONJUNTA / Y COMPRIS EN ENSEMBLE

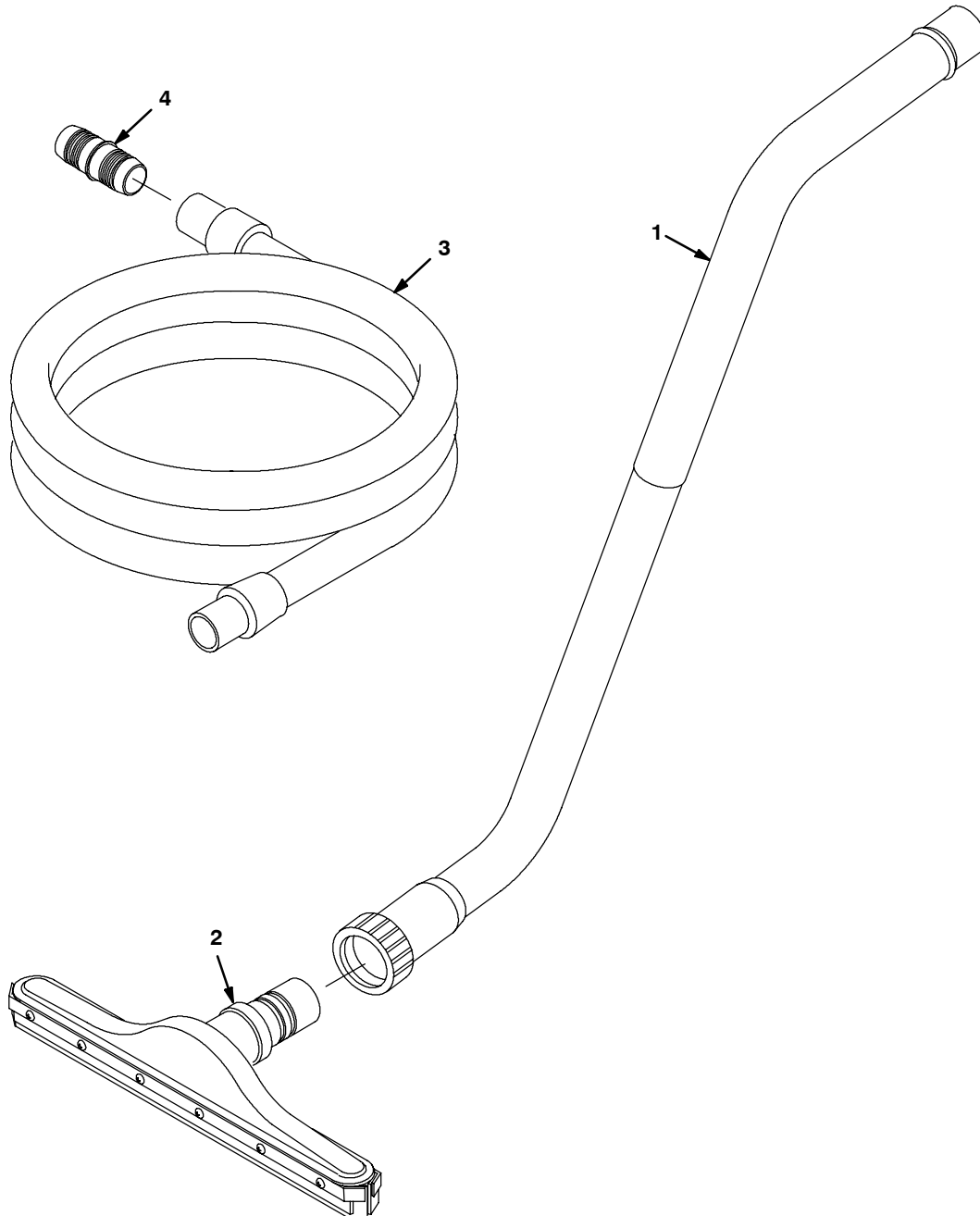
● RECOMMENDED STOCK ITEM / PIEZAS RECOMENDADAS EN ALMACÉN / ÉLÉMENTS DE STOCK RECOMMANDÉS

N/S = NOT SHOWN / NO INDICADO / NON MONTRÉ

* KIT NOT INTENDED FOR FaST MODELS / LA OPCIÓN DEL ES NO ESTÁ DISPONIBLE PARA LOS MODELOS FaST. / OPTION NON DESTINÉE AUX MODÈLES FaST

OPTIONS - OPCIONES - ÉQUIPEMENT AU CHOIX

SQUEEGEE WAND ASSEMBLY / GROUPE D'ASPIRATION ET RACLETTE À MAIN / GROUPE RACLOIR AUXILIAIRE D'EXTRACTION



REF	PART #	DESCRIPTION	QTY.
▽	190928	●ASM, WAND DOUBLE BEND	1
▲ 1	6108.1	WAND, DOUBLE BEND	1
▲ 2	13840	SQUEEGEE ASM PUSH/PULL	1

REF	PART #	DESCRIPTION	QTY.
▲ 3	160481	●HOSE, VAC 1-1/2X10'	1
▲ 4	160451	CONNECTOR, VAC HOSE	1

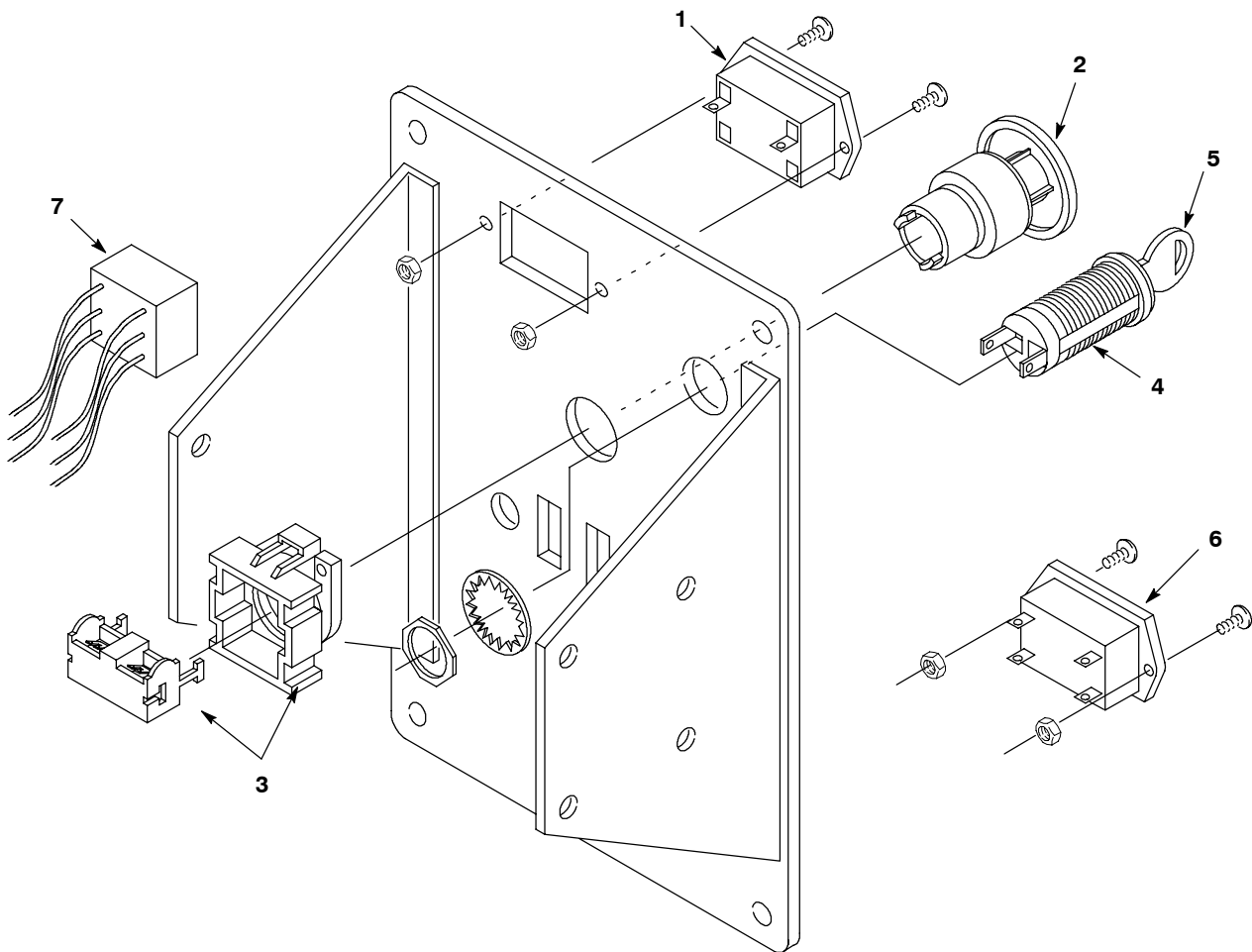
▽ ASSEMBLY / CONJUNTO / ENSEMBLE

▲ INCLUDED IN ASSEMBLY / INCLUIDO A CONJUNTA / Y COMPRIS EN ENSEMBLE

● RECOMMENDED STOCK ITEM / PIEZAS RECOMENDADAS EN ALMACÉN / ÉLÉMENTS DE STOCK RECOMMANDÉS

OPTIONS - OPCIONES - ÉQUIPEMENT AU CHOIX

**HOUR METER, EMERGENCY STOP, KEYSWITCH AND LOW VOLTAGE KITS /
 MEDIDOR DE HORA, BOTÓN DE EMERGENCIA, INTERRUPTOR DE LLAVE, HERRAMIENTAS DE BAJO
 VOLTAGE / LOT COMPTEUR HORAIRE, ARRÊT D'URGENCE, CONTACT ET KITS DE BASSE TENSION**



REF	PART #	DESCRIPTION	QTY.
▽	602999	●KIT, HOUR METER	1
▲ 1	1010555	●METER, HOUR	1
▲ N/S	603000	ASM., WIRE #18X5" BLU	1
▲ N/S	603004	ASM WIRE #18X5" BLK	1
▽	602995	●KIT, EMERGENCY STOP	1
▲ 2	630100	●SWITCH, EMERGENCY STOP BUTTON	1
▲ 3	630097	●SWITCH, CONTACT BLOCK	1
▲ N/S	602996	ASM, WIRE #16X5" RED 1/4FX1/4F	1
▲ N/S	602997	ASM, WIRE #16X5" RED 1/4MX1/4F	1

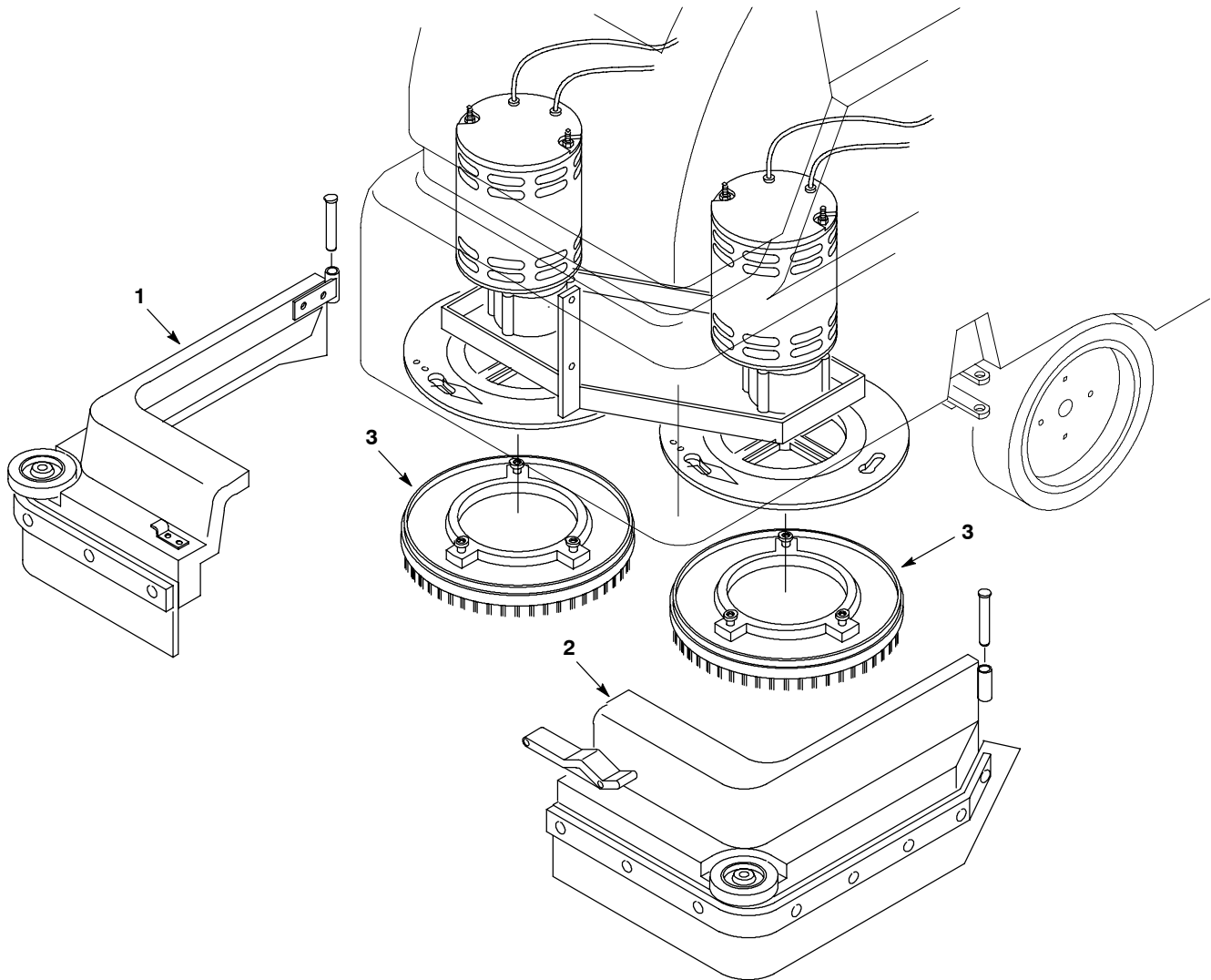
REF	PART #	DESCRIPTION	QTY.
▽	602993	●KIT, KEYSWITCH	1
▲▽ 4	612462	●SWITCH, KEY	1
▲ 5	607821	●KEY, REPLACEMENT	1
▽	603074	●KIT, LOW VOLTAGE CUTOFF	1
▲ 6	603076	●GAUGE, BATTERY 24V	1
▲ 7	603314	ASM., RELAY LOW VLTGE CUTOFF	1
▲ N/S	603078	ASM., WIRE #18X9" GRN	1
▲ N/S	603080	ASM., WIRE #18X8" BLK	1
▲ N/S	603081	ASM., WIRE #18X12" RED	1
▲ N/S	130040	WIRE TIE	1

▽ ASSEMBLY / CONJUNTO / ENSEMBLE

▲ INCLUDED IN ASSEMBLY / INCLUIDO A CONJUNTA / Y COMPRIS EN ENSEMBLE

● RECOMMENDED STOCK ITEM / PIEZAS RECOMENDADAS EN ALMACÉN / ÉLÉMENTS DE STOCK RECOMMANDÉS

CONVERSION KIT / JUEGO DE CONVERSIÓN / LOT CONVERSION



REF	PART #	DESCRIPTION	QTY.
▽	609769	●KIT, CONVERSION TO 24 IN. MODEL, GRN	1
	609768	●KIT, CONVERSION TO 26 IN. MODEL, GRN	1
▲ 1	609772	ASM., SKIRT OPERATOR RH GREEN (24 IN. MODEL)	1
	609770	ASM., SKIRT OPERATOR RH GREEN (26 IN. MODEL)	1
▲ 2	609773	ASM., SKIRT OPERATOR LH GREEN (24 IN. MODEL)	1
	609771	ASM., SKIRT OPERATOR LH GREEN (26 IN. MODEL)	1

REF	PART #	DESCRIPTION	QTY.
▲ 3	240262	●ASM., PAD DRIVER 2/PK 305MM / 12" (24 IN. MODEL)	2
	602928	●ASM., PAD DRIVER 2/PK 330MM / 13" (26 IN. MODEL)	2
▲N/S	603262	ASM., SQUEEGEE CURVED (24 IN. MODEL)	1
	603263	ASM., SQUEEGEE CURVED (26 IN. MODEL)	1
▲N/S	608450	DECAL, SPEEDSCRUB 2401	2
	608449	DECAL, SPEEDSCRUB 2601	2

▽ ASSEMBLY / CONJUNTO / ENSEMBLE

▲ INCLUDED IN ASSEMBLY / INCLUIDO A CONJUNTA / Y COMPRIS EN ENSEMBLE

● RECOMMENDED STOCK ITEM / PIEZAS RECOMENDADAS EN ALMACÉN / ÉLÉMENTS DE STOCK RECOMMANDÉS